

I. MATERIALS

- A. THE ALUMINUM BRACKET SHALL BE A TAPERED TRUSS STYLE BRACKET. THE BRACKET RISE AS WELL AS THE UPPER TUBE AND LOWER PIPE SIZES SHALL BE AS SHOWN IN THE ADJACENT TABLE. THE BRACKET ARM ASSEMBLY SHALL BE SUITED FOR USE WITH LUMINAIRES WITH WEIGHTS AND EFFECTIVE PROJECTED AREAS AS SHOWN IN THE ADJACENT TABLE. THE REQUIRED POLE MOUNTING SPACE SHALL NOT EXCEED 25”.
- B. THE WIRE SHALL BE #10 AWG 7 STRAND COPPER, 600 V TYPE XHHW, ONE OR TWO CONDUCTOR AT OPTION OF CONTRACTOR. THE CONDUCTOR LENGTH SHALL BE AS SHOWN IN THE ADJACENT TABLE.
- C. THE COMPRESSION CONNECTORS SHALL BE BURNDY #YPC2A8U, OR APPROVED EQUAL.
- D. ALL BOLTS AND NUTS SHALL BE COATED WITH ANTI-SEIZE COMPOUND WHEN BOLTING ARMS TO POLES.

II. INSTALLATION

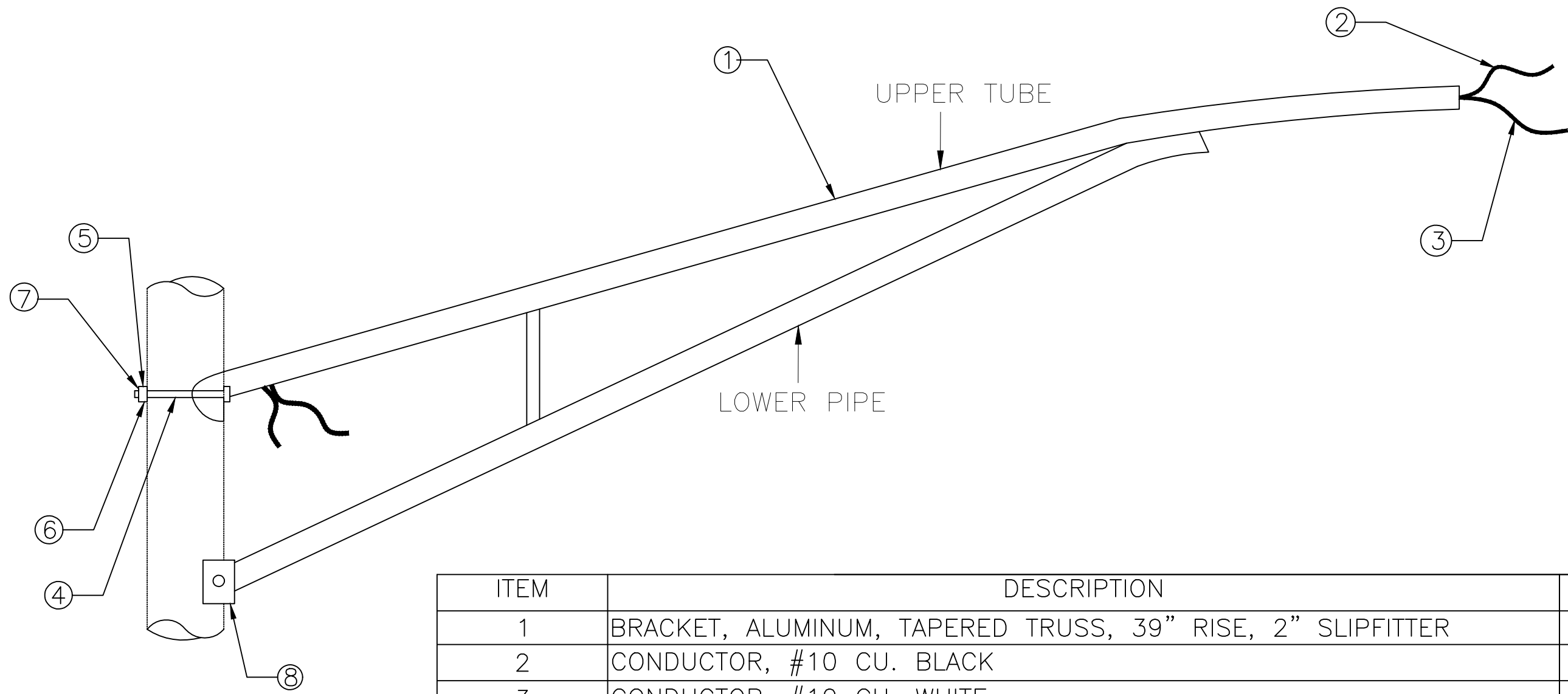
- A. THE INSTALLATION SHALL BE AS SHOWN IN THE CONTRACT DRAWINGS AND APPROVED BY THE ENGINEER.
- B. THE MOUNTING HEIGHT TO LUMINAIRE CENTER SHALL BE 28’ UNLESS OTHERWISE SPECIFIED IN THE CONTRACT DRAWING OR INDICATED BY THE FIELD ENGINEER.
- C. ANY RELOCATION OF EXISTING FACILITIES REQUIRED FOR PROPER CLEARANCE SHALL BE OBTAINED BY THE CONTRACTOR AND INCLUDED IN THE UNIT PRICE BID FOR THIS ITEM.
- D. THIS ITEM SHALL INCLUDE THE FURNISHING AND INSTALLATION OF THE BRACKET ARM, THE WIRING INTERNAL TO THE ARM AND THE CONNECTION OF THE WIRING TO THE CIRCUIT AND LUMINAIRE. THE LUMINAIRE AND CIRCUIT SHALL BE PROVIDED AND PAID AS SEPARATE ITEMS AND ARE NOT INCLUDED IN THIS SPECIFICATION.

BRACKET LENGTH (FT)	BRACKET RISE (IN)	UPPER TUBE SIZE (O.D.)	LOWER PIPE SIZE (IN / SCH)	MAXIMUM CONDUCTOR LENGTH (FT)	LUMINAIRE WEIGHT (LBS)	MAXIMUM EFFECTIVE PROJECTED AREA (SF)	APPROVED PRODUCT (OR APPROVED EQUAL)
10	39	3”	1-1/2” SCH.40	14	75	1.2	HAPCO #85-004
12	39	3-1/2”	1-1/2” SCH.40	16	75	1.2	HAPCO #85-007
15	39	4”	2”SCH.40	18	75	1.6	HAPCO #85-011

III. BASIS OF PAYMENT

ITEM	UNIT	DESCRIPTION
MIS-101	EACH	BRACKET, 10’ ALUMINUM, FOR WOOD POLE
MIS-101	EACH	BRACKET, 12’ ALUMINUM, FOR WOOD POLE
MIS-101	EACH	BRACKET, 15’ ALUMINUM, FOR WOOD POLE

<b>MIS-101</b>	DEPARTMENT OF PUBLIC UTILITIES - DIVISION OF POWER CITY OF COLUMBUS, OHIO		
	<b>BRACKET, X' ALUMINUM FOR WOOD POLE (10', 12', OR 15')</b>		
	DRAWN BY: SAW	DATE: 7/11/24	
	APPROVED:		
SCALE: NONE	SHEET: 1 OF 2	101	



ITEM	DESCRIPTION	QTY
1	BRACKET, ALUMINUM, TAPERED TRUSS, 39" RISE, 2" SLIPFITTER	1
2	CONDUCTOR, #10 CU. BLACK	14 FT.
3	CONDUCTOR, #10 CU. WHITE	14 FT.
4	BOLT, MACHINE 5/8" x LENGTH AS REQUIRED	1 EA
5	WASHER, SQ. CURVED 2-1/4" x 2-1/4" x 3/16", 11/16" DIA. HOLE	1 EA
6	WASHER, LOCK 11/16" DIA. HOLE, DOUBLE COIL	1 EA
7	NUT, SQUARE 5/8" -11 UNC (INCLUDED WITH MACHINE BOLT)	1 EA
8	SCREW, LAG 1/2" x 4"	2 EA
9	CONNECTOR, COMPRESSION (NOT SHOWN SIZE AS REQUIRED)	2 EA

<b>MIS-101</b>	DEPARTMENT OF PUBLIC UTILITIES - DIVISION OF POWER CITY OF COLUMBUS, OHIO		
	<b>BRACKET, X' ALUMINUM FOR WOOD POLE (10', 12', OR 15')</b>		
	DRAWN BY: SAW	DATE: 7/11/24	
	APPROVED:		
SCALE: NONE	SHEET: 2 OF 2	101	