

6' FOUNDATION (DOWNTOWN)

I. Quantity

The base bid shall include the indicated number indicated of residential street light standard foundations to be constructed as hereinafter specified locations on the drawings and located in the field by the engineer.

II. Material

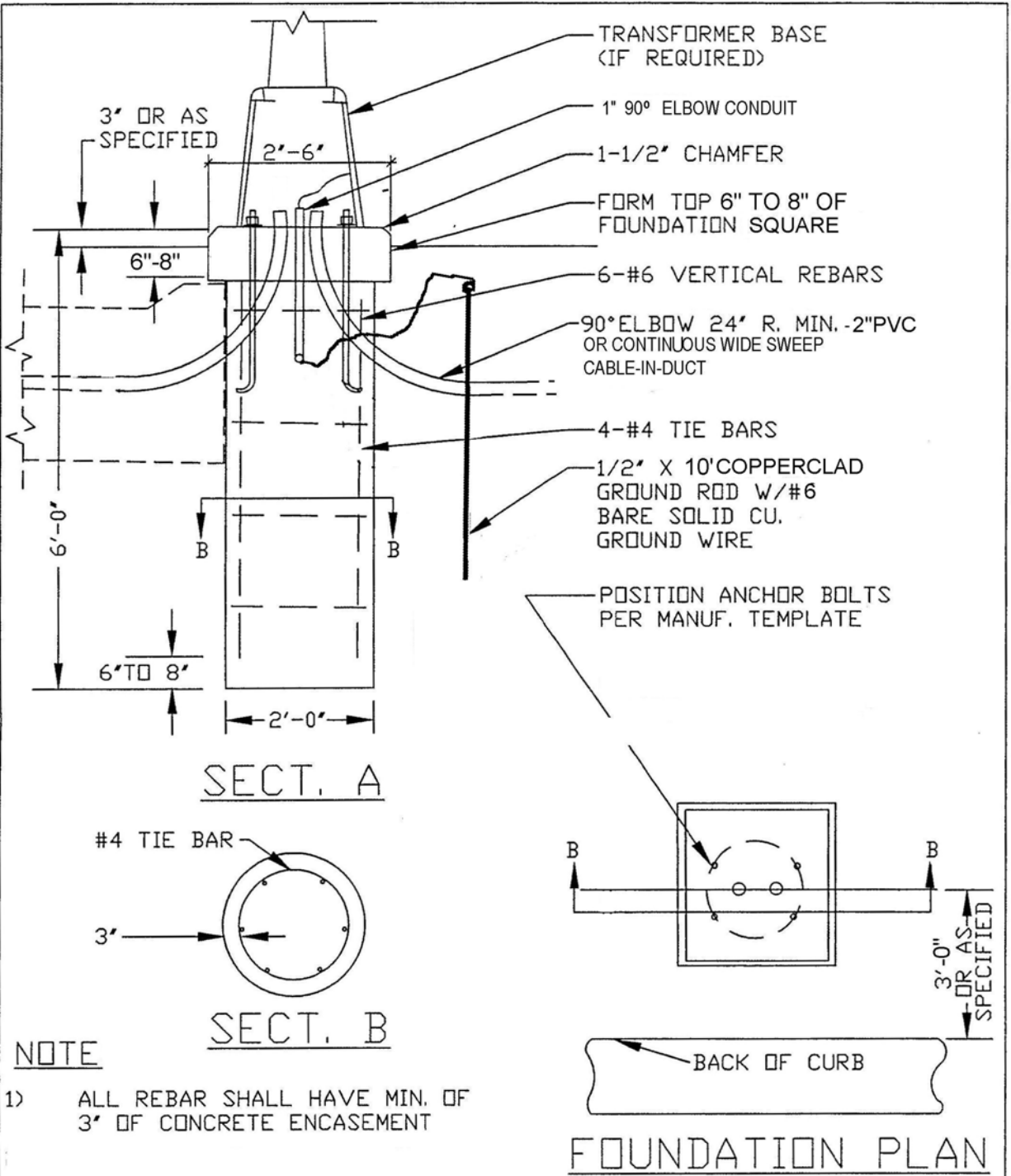
- a. Concrete - The concrete shall be as specified in Item 499 of City of Columbus Construction and materials specifications Class C.
- b. Anchor Rods - The anchor rods shall be as supplied by the pole manufacturer and in any case shall be not less than 1" diameter x 40" hot dipped galvanized.
- c. Shims & Nuts - All shims and nuts shall be hot dipped galvanized.
- d. Conduit Ells - Conduit ells shall be 2", 90-degrees sweep, 24-inch radius schedule 40 PVC, Carlon, Heritage, Cantex PV - conduit or approved equal, on open trench installation. 1 ½" cable-in-ductshall be a continuous wide sweep into foundation.
- e. Ground Rods - The ground rod shall be ½" x 10', copperclad (Blackburn, Galvan) or approved equal.
- f. Reinforcing Bars - All reinforcing bars shall be formed steel of the size indicated on the drawing.
- g. Ground Rod Clamp - The ground rod clamp shall be an approved equal to Blackburn #JAB 1/2H, Galvan or approved equal.

III. Installation

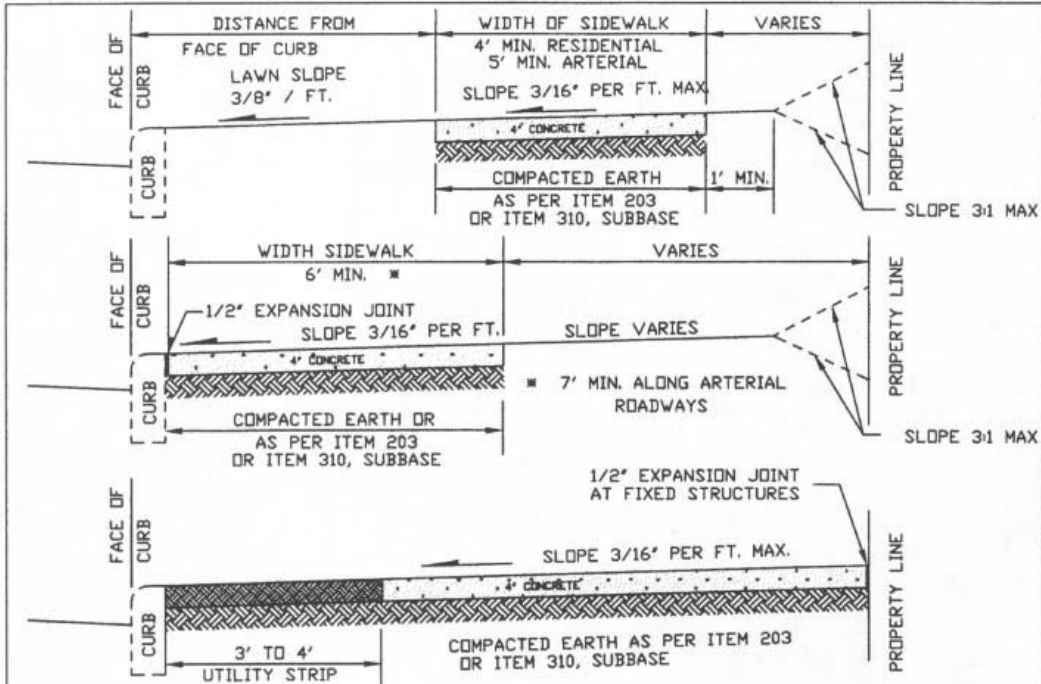
- a. The foundations shall be as shown on drawing 01S00125.
- b. At each location the sidewalk shall be saw cut, the concrete removed and an excavation made in the earth large enough to accommodate the complete foundation. The excess earth and materials shall be hauled away from the site and the hole shall be clean and firm to receive the concrete.
- c. Top 6" to 8" of foundation shall be square.
- d. The forms to hold the anchor rods, conduit ells, etc., during the pouring of the concrete shall be wood or metal.
- e. The sidewalk shall be replaced within the expansion joints of the four foot area around the foundations, after foundations have been allowed to set and the backfill earth has been firmly tamped.

IV. Quotation

The reinforced foundation as hereinbefore specified shall be quoted on as a unit price each in the appropriate place of this document.



REVISIONS 12/10/03 08/24/05 01/20/10	MEL&P MUNICIPAL ELECTRIC LIGHT & POWER SYSTEM CITY OF COLUMBUS, OHIO DEPT. OF UTILITIES & AVIATION - DIV. OF ELECTRICITY		
	REINFORCED ST. LTG FOUNDATION (DOWNTOWN 30" SQ./6')		
	SCALE 1/2" = 1'	DRAWN MO 8/00	DRAWING NO. 01S0125
	C. D. NUMBER	APPROVED	SHEET OF



SIDEWALKS SHALL BE CONSTRUCTED WITH P.C. CONCRETE (CLASS C, ITEM 499) WHICH SHALL CONTAIN 5% TO 8% ENTRAINED AIR AND A 3" MAXIMUM SLUMP.

WHERE DRIVEWAYS CROSS THE SIDEWALK THE CONCRETE SHALL BE 6" THICK. SEE STANDARD DRAWING 2201 DR. A.

LENGTH AND SLOPE OF DRIVEWAY RAMPS ARE VARIABLE ACCORDING TO THE DISTANCE OF THE SIDEWALK FROM THE CURB, SEE STANDARD DRAWING 2201 DR. A.

ALL CONCRETE SHALL BE PLACED IN ONE COURSE AND FINISHED WITH A WOOD FLOAT.

EXPANSION JOINTS SHALL BE PLACED WHEREVER NEW CONCRETE TOUCHES EXISTING CONSTRUCTION AND AT INTERVALS OF 30' OR LESS.

WATER AND GAS VALVES BOXES IN THE SIDEWALK AREA SHALL BE ADJUSTED TO PROPER GRADE.

ROOF DRAINS SHALL BE EXTENDED UNDER THE SIDEWALK AND THROUGH THE CURB. SEE STANDARD DRAWING 2320 DR. A.

FORMS SHALL BE MADE OF LUMBER 2" NOMINAL THICKNESS OR OF EQUALLY RIGID METAL.

IMMEDIATELY AFTER FINISHING, CONCRETE SHALL BE CURED IN AN APPROVED MANNER.

WHEN A SIDEWALK IS CONSTRUCTED FOR THE ENTIRE WIDTH FROM THE CURB TO THE LOT LINE, THE WALK SHALL BE CONSTRUCTED PART WIDTH 48' MIN AT A TIME, ALLOWING FOR SUFFICIENT UN-OBSTRICTED AREA 48' MIN FOR SAFE MOVEMENT OF PEDESTRIAN TRAFFIC.

NOTIFY THIS OFFICE WHEN FORMS WILL BE READY FOR INSPECTION, AT LEAST 24 HOURS BEFORE CONCRETE IS TO BE PLACED, .

TELEPHONE 645-7497. IN NO CASE MAY CONCRETE BE PLACED WITHOUT APPROVAL OF FORM WORK BY THE INSPECTOR.

NO CONCRETE SHALL BE PLACED UNTIL TEMPERATURE IS 35° F. MIN. CONCRETE SHALL BE PROTECTED IN ACCORDANCE WITH SECTION 451.061 OF THE CURRENT EDITION OF THE COLUMBUS CONSTRUCTION AND MATERIAL SPECIFICATIONS.

ITEM NUMBERS REFER TO THE CITY OF COLUMBUS, OHIO STANDARD CONSTRUCTION AND MATERIAL SPECIFICATIONS, TRANSPORTATION DIVISION, ALL WORK SHALL BE DONE IN ACCORDANCE WITH THESE SPECIFICATIONS.

CITY OF COLUMBUS, OHIO
DEPARTMENT OF PUBLIC SERVICE
TRANSPORTATION DIVISION

STANDARD SIDEWALKS ITEM 608 & SPECIFICATIONS

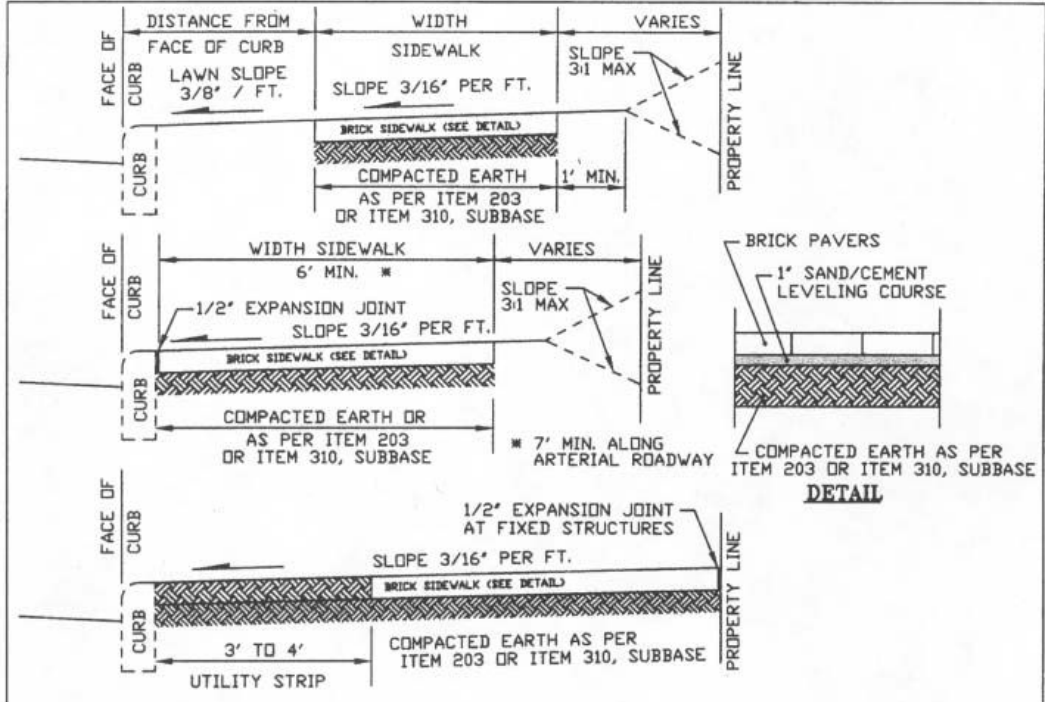
APPROVED:

[Signature]
CITY ENGINEER

10/10/02
DATE

REV. 07/15/02
REV. 10/01/01

2300 DR. A



WATER AND GAS VALVES BOXES IN THE SIDEWALK AREA SHALL BE ADJUSTED TO PROPER GRADE.
 ROOF DRAINS SHALL BE EXTENDED UNDER THE SIDEWALK AND THROUGH THE CURB. SEE STANDARD DRAWING 2320 DR. A.
 FORMS SHALL BE MADE OF LUMBER 2" NOMINAL THICKNESS OR OF EQUALLY RIGID METAL.
 WHERE DRIVEWAYS CROSS THE SIDEWALK, THE SIDEWALK AREA SHALL BE 6" THICK CONCRETE W/2% MAX. CROSS SLOPE.
 SEE STANDARD DRAWING 2201 DR. A

WHEN A SIDEWALK IS CONSTRUCTED FOR THE ENTIRE WIDTH FROM THE CURB TO THE LOT LINE, THE WALK SHALL BE CONSTRUCTED PART WIDTH AT A TIME 48", ALLOWING FOR SUFFICIENT UN-OBSTRICTED AREA 48" FOR SAFE MOVEMENT OF PEDESTRIAN TRAFFIC. NOTIFY THIS OFFICE AT LEAST BY 24 HOURS (TELEPHONE 645-7497) WHEN FORMS WILL BE READY FOR INSPECTION.

THE SAND TO CEMENT RATIO IS 5 PARTS SAND TO 1 PART CEMENT.

ITEM NUMBERS REFER TO THE CITY OF COLUMBUS, OHIO STANDARD CONSTRUCTION AND MATERIAL SPECIFICATIONS, TRANSPORTATION DIVISION. ALL WORK SHALL BE DONE IN ACCORDANCE WITH THESE SPECIFICATIONS.

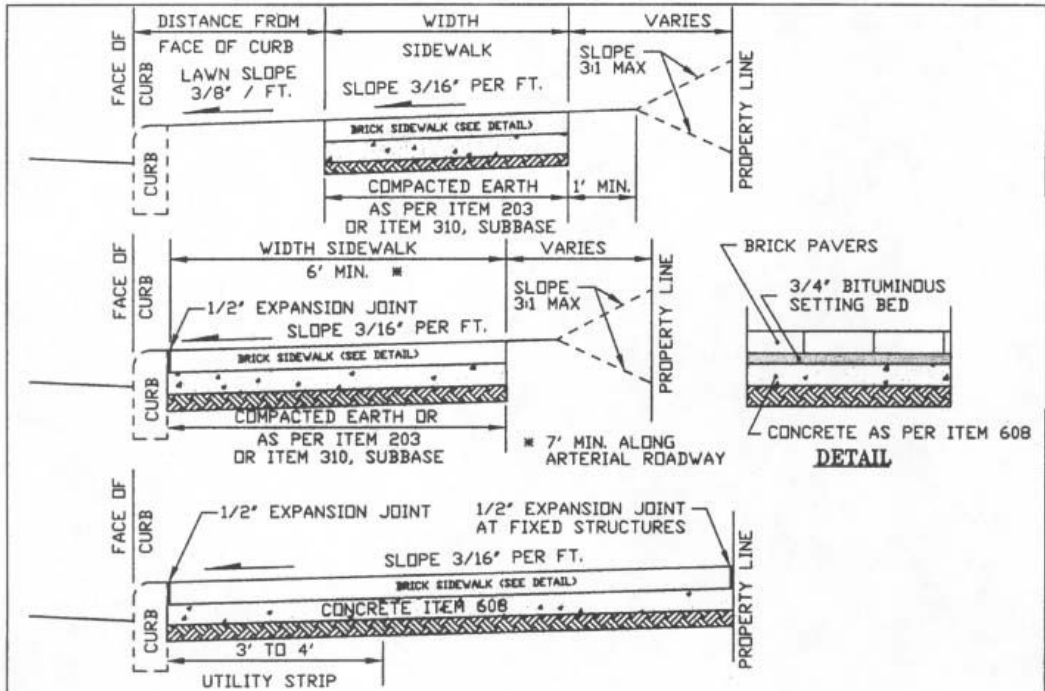
CITY OF COLUMBUS, OHIO
 DEPARTMENT OF PUBLIC SERVICE
 TRANSPORTATION DIVISION

**STANDARD BRICK SIDEWALKS
 SPECIFICATIONS
 (RESIDENTIAL)**

APPROVED: *[Signature]* 9/24/02
 CITY ENGINEER DATE

REV. 07/15/02
 REV. 10/01/01

2301 DR. A 1/3



SIDEWALKS CONSTRUCTED WITH P.C. CONCRETE (CL.G. ITEM 499) WHICH SHALL CONTAIN 5% TO 8% ENTRAINED AIR AND A 3" MAXIMUM SLUMP.

WHERE DRIVEWAYS CROSS THE SIDEWALK, THE SIDEWALK AREA SHALL BE 6" THICK CONCRETE. SEE STANDARD DRAWING 2201 DR. A. LENGTH AND SLOPE OF DRIVEWAY RAMPS ARE VARIABLE ACCORDING TO THE DISTANCE OF THE SIDEWALK FROM THE CURB, SEE STANDARD DRAWING 2201 DR. A.

ALL CONCRETE SHALL BE PLACED IN ONE COURSE AND FINISHED WITH A WOOD FLOAT.

EXPANSION JOINTS SHALL BE PLACED WHEREVER NEW CONCRETE TOUCHES EXISTING CONSTRUCTION AND AT INTERVALS OF 30' OR LESS.

WATER AND GAS VALVES BOXES IN THE SIDEWALK AREA SHALL BE ADJUSTED TO PROPER GRADE.

ROOF DRAINS SHALL BE EXTENDED UNDER THE SIDEWALK AND THROUGH THE CURB. SEE STANDARD DRAWING 2320 DR. A.

FORMS SHALL BE MADE OF LUMBER 2" NOMINAL THICKNESS OR OF EQUALLY RIGID METAL.

IMMEDIATELY AFTER FINISHING, CONCRETE SHALL BE CURED IN AN APPROVED MANNER.

WHEN A SIDEWALK IS CONSTRUCTED FOR THE ENTIRE WIDTH FROM THE CURB TO THE LOT LINE, THE WALK SHALL BE CONSTRUCTED PART WIDTH AT A TIME 48" MIN., ALLOWING FOR SUFFICIENT UN-OBSTRICTED AREA 48" MIN. FOR SAFE MOVEMENT OF PEDESTRIAN TRAFFIC.

NOTIFY THIS OFFICE WHEN FORMS WILL BE READY FOR INSPECTION, AT LEAST 24 HOURS BEFORE CONCRETE IS TO BE PLACED, TELEPHONE 645-7497. IN NO CASE MAY CONCRETE BE PLACED WITHOUT APPROVAL OF FORM WORK BY THE INSPECTOR.

NO CONCRETE SHALL BE PLACED UNTIL TEMPERATURE IS 35° F. MIN. CONCRETE SHALL BE PROTECTED IN ACCORDANCE WITH SECTION 451.10 OF ITEM 451.

ONE INCH CONTRACTION JOINTS SHALL BE SAVED IN THE CONCRETE EVERY 10 FT.

ITEM NUMBERS REFER TO THE CITY OF COLUMBUS, OHIO STANDARD CONSTRUCTION AND MATERIAL SPECIFICATIONS. TRANSPORTATION DIVISION. ALL WORK SHALL BE DONE IN ACCORDANCE WITH THESE SPECIFICATIONS.

CITY OF COLUMBUS, OHIO
DEPARTMENT OF PUBLIC SERVICE
TRANSPORTATION DIVISION

**STANDARD BRICK SIDEWALKS
SPECIFICATIONS
(ARTERIAL)**

REV. 07/15/02
REV. 10/01/01

2301 DR. A 2
3

ITEM SPECIAL - BRICK PAVERS INCLUDING CONCRETE BASE

MATERIAL NOTES:

NEOPRENE-MODIFIED ASPHALT ADHESIVE - FURNISH NEORPENE-MODIFIED ASPHALT ADHESIVE THAT CONTAINS 2% NEOPRENE, GRADE WMI OXIDIZED ASPHALT WITH A 150 DEGREE SOFTENING POINT (77 PENETRATION), AND 10% LONG FIBERED INERT MATERIAL AS SUPPLIED BY (OR APPROVED EQUAL):

SEIDEL COMPANY, INC.
11 MARKET SQUARE
NEWBURYPORT, MASSACHUSETTS 01950
(617) 649-6740

HASTINGS PAVEMENT COMPANY, INC.
410 LAKEVILLE ROAD
LAKE SUCCESS, NEW YORK 11042
(516) 379-3500

BITUMINOUS SETTING BED - FURNISH ASPHALT CEMENT CONFORMING TO ASTM D3381, VISCOSITY GRADE AC-10 OR AC-20.

FURNISH FINE AGGREGATE OF NATURAL SAND AND/OR STONE SAND, COMPOSED OF HARD, TOUGH, DURABLE, UNCOATED PARTICLES, FREE FROM CLAY, SILT, ORGANIC MATERIAL OR OTHER DELETERIOUS SUBSTANCES. INSURE THE SAND IS UNIFORMLY GRADED WITH ALL MATERIAL PASSING THE NO. 4 SIEVE AND MEETING THE REQUIREMENTS OF ASTM C136.

COMBINE THE DRIED FINE AGGREGATE WITH HOT ASPHALT CEMENT AND MIX HEAT TO APPROXIMATELY 300°F AT AN ASPHALT PLANT.

A. PROVIDE AN APPROXIMATE PROPORTION OF MATERIALS OF 7% ASPHALT CEMENT AND 93% FINE AGGREGATE.

B. PROVIDE EACH TON APPORTIONED BY WEIGHT TO 140 POUNDS OF ASPHALT CEMENT AND 1,860 POUNDS OF FINE AGGREGATE.

PAVERS - ALL BRICK PAVERS SHALL BE SOLID CONCRETE PAVING UNITS CONFORMING TO ASTM C938

CONCRETE BASE - ALL WORK FOR THE CONCRETE BASE SHALL CONFORM TO ITEM 608, EXCEPT THAT THE 608 REQUIREMENTS FOR EDGING OUTSIDE EDGES AND CONTROL JOINTS AT 5-FOOT INTERVALS SHALL BE WAIVED.

METHOD OF MEASUREMENT - PAVERS WILL BE MEASURED BY THE SQUARE FOOT FINISHED PAVERS COMPLETE IN PLACE.

BASIS OF PAYMENT - THE ACCEPTED QUANTITIES OF BRICK PAVERS WILL BE PAID FOR AT THE CONTRACT PRICES DESIGNATED FOR EACH OF THE PAVER TYPES SHOWN ON THE PLANS. EXCAVATION, BACKFILL, EXPANSION JOINT MATERIAL, ASPHALT ADHESIVE, BITUMINOUS SETTING BED, 4-INCH CONCRETE BASE, AND OTHER RELATED MISCELLANEOUS ITEMS WILL NOT BE PAID FOR SEPARATELY, BUT THE COST THEREOF SHALL BE INCLUDED IN THE COST OF THE BRICK PAVERS OF WHICH THEY ARE A PART.

