



THE CITY OF
COLUMBUS
MICHAEL B. COLEMAN, MAYOR

DEPARTMENT OF
PUBLIC SERVICE

TRAFFIC SIGNAL DESIGN MANUAL

Effective Date: May 1, 2014
Revision: August 1, 2015

TABLE OF CONTENTS

1	GENERAL	1-1
1.1	Purpose and Application of this Manual	1-1
1.2	References	1-2
1.3	Plan Approval	1-5
1.3.1	Capital Improvement Projects	1-5
1.3.2	Privately Funded Projects	1-5
1.3.3	Private Utility Projects	1-5
1.4	Utility Coordination	1-6
1.5	Traffic Signal Design Checklists	1-6
2	PLAN PREPARATION	2-1
2.1	Drafting Standards	2-1
2.1.1	Traffic Signal Plan Symbols/Legend	2-3
2.2	Plan Sheets	2-6
2.2.1	Traffic Signal General Notes Sheet	2-6
2.2.2	Traffic Signal Estimate of Quantities	2-6
2.2.3	Traffic Signal Plan Sheet	2-6
2.2.4	Traffic Signal Detail Sheet	2-7
2.2.5	Traffic Signal Pole Fabrication and Orientation Data Sheet	2-7
2.2.6	Traffic Signal Interconnect Sheets	2-7
2.3	Estimate of Quantities	2-8
3	TEMPORARY TRAFFIC SIGNALS	3-1
3.1	Temporary Traffic Signals	3-1
3.2	Temporary Signal Supports	3-2
3.2.1	Span Wire Temporary Traffic Signals	3-2
3.3	Temporary Vehicle Detection	3-3
3.4	Temporary Vehicular Signal Heads	3-3
3.5	Temporary Pedestrian Features	3-3
3.6	Temporary Pavement Markings and Signs	3-3
3.7	Temporary Signal Wiring and Controller Cabinets	3-4
4	SUPPORTS AND FOUNDATIONS	4-1
4.1	Traffic Signal Supports	4-1
4.1.1	Standard Mast Arm Supports	4-1
4.1.2	Decorative Mast Arm Supports	4-1
4.1.3	Double Mast Arm Supports	4-2
4.1.4	Strain Poles	4-2
4.1.4.1	Strain Pole Sizing	4-2
4.1.4.2	Span Configuration	4-3
4.1.5	Pedestal Supports	4-3
4.1.5.1	5 ft. Pedestal	4-4
4.1.5.2	10.7 ft. Pedestal	4-4
4.1.5.3	12.7 ft. Pedestal	4-4

4.1.5.4 17.5 ft. Pedestal	4-4
4.1.5.5 21 ft. Pedestal	4-4
4.1.6 Bracket Arms	4-4
4.1.7 Finish Requirements	4-4
4.1.7.1 Downtown District.....	4-5
4.1.7.2 Special Area Districts	4-5
4.2 Traffic Signal Support Foundations	4-5
4.2.1 Mast Arm and Strain Pole Foundations.....	4-5
4.2.2 Pedestal Foundations.....	4-5
4.3 Traffic Signal Support Placement.....	4-6
4.3.1 General Location.....	4-6
4.3.2 Clear Zone	4-6
4.3.3 Underground Utility Clearance	4-6
4.3.4 Overhead Utility Clearance	4-6
4.3.5 Pushbutton Location.....	4-7
4.3.6 Elevation	4-7
4.3.7 Arm Length/Span Configuration	4-8
4.3.8 Distance from Stop Line	4-8
4.4 Plan Requirements.....	4-9
4.4.1 Pole Identification.....	4-9
4.4.2 Pole Orientation and Fabrication Data	4-9
5 VEHICULAR SIGNALS	5-1
5.1 Vehicular Signal Head Specifications	5-1
5.1.1 Material Specifications	5-1
5.1.2 Vehicular Signal Head Lens Size	5-1
5.1.3 Vehicular Signal Head Backplates	5-1
5.1.4 Signal Head Mounting.....	5-3
5.1.5 Signal Head Color	5-3
5.1.5.1 Special Signal Head Color	5-3
5.2 Vehicular Signal Head Application	5-3
5.2.1 Number of Signal Heads	5-3
5.2.2 Distance from Stop Line to Signal Head.....	5-4
5.2.3 Signal Head Mounting Height.....	5-4
5.2.4 Vehicular Signal Head Alignment.....	5-4
5.2.4.1 Vehicular Signal Head Alignment – Through Lanes	5-5
5.2.4.2 Vehicular Signal Head Alignment – Turn Lanes	5-5
6 PEDESTRIAN FEATURES	6-1
6.1 Pedestrian Signal Heads	6-1
6.1.1 Material Specifications	6-1
6.1.2 Pedestrian Head Mounting.....	6-1
6.1.3 Pedestrian Head Alignment.....	6-2
6.1.4 Pedestrian Head Color	6-2
6.1.4.1 Special Pedestrian Head Color	6-2
6.2 Pedestrian Pushbuttons.....	6-3

6.2.1	Pushbutton Specifications	6-3
6.2.2	Pushbutton Location/Mounting	6-3
6.3	Accessible Pedestrian Signals	6-4
6.3.1	Accessible Pedestrian Signals Specifications	6-4
6.3.2	Installation Requirements	6-4
7	INTERSECTION WIRING	7-1
7.1	Intersection Wiring	7-1
7.2	Material Specifications	7-1
7.3	Grounding and Bonding	7-1
7.3.1	Ground Rods	7-3
7.4	Number, Color, and Gauge of Conductors	7-4
7.4.1	Vehicular Signal Head Wiring	7-4
7.4.2	Pedestrian Signal Head Wiring	7-4
7.4.3	Pedestrian Pushbutton Wiring	7-5
7.4.4	Accessible Pedestrian Pushbutton Wiring	7-5
7.4.5	Illuminated Signs	7-5
7.4.6	Video Detection	7-5
7.4.7	Inductive Loop Detection	7-5
7.4.8	Other Detection Technologies	7-6
7.4.9	Emergency Vehicle Preemption	7-6
7.4.10	Railroad Preemption	7-6
7.4.11	Transit Priority	7-6
7.5	Overhead Wiring	7-10
7.5.1	Messenger Wire	7-10
7.5.2	Span Configuration	7-11
7.6	Underground Wiring	7-11
7.6.1	Cable Routing	7-12
7.6.2	Conduit Fill	7-12
7.7	Combination Lighting	7-14
7.8	Overhead Clearances	7-14
7.9	Intersection Wiring Plan Components	7-15
8	TRAFFIC SIGNAL SIGNS	8-1
8.1	General	8-1
8.2	Material Specifications	8-1
8.3	Sign Mounting	8-1
8.3.1	Strain Pole and Signal Support Mounted Signs	8-1
8.3.2	Mast Arm Mounted Signs	8-1
8.3.3	Span Wire Mounted	8-1
8.4	Signs for New or Modified Traffic Signals	8-2
8.4.1	New Signal Installation	8-2
8.4.2	Modified Signal Phasing Application	8-2
8.5	Left (Right) On Green Arrow Only (R10-5)	8-2
8.6	Right Turn Signal (R10-10R)	8-3
8.7	No Left Turn (R3-2) / No Right Turn (R3-1)	8-3

8.8	One Way (R6-2).....	8-3
8.9	Begin/End One Way (R6-6, R6-7)	8-4
8.10	No Turn on Red (R10-11b, R10-11c, CM-R10-11c).....	8-4
8.11	Stop Here on Red (R10-6).....	8-5
8.12	No Ped Crossing (R9-3) and Use Crosswalk (R9-3bP).....	8-5
8.13	Pedestrian Pushbutton Sign (R10-3a(R), R10-3a(L) and CMR10-3a)	8-6
8.14	Bicycle Signal Actuation (R10-22)	8-6
8.15	LED “Blank-out” Signs	8-6
9	VEHICLE DETECTION	9-1
9.1	Vehicle Detection	9-1
9.2	Vehicle Detection Types	9-1
9.2.1	Video Detection.....	9-1
9.2.2	Inductive Loop Detection.....	9-1
9.2.3	Other Detection Technologies.....	9-2
9.3	Vehicle Detection Application.....	9-2
9.3.1	Video Detector Mounting.....	9-2
9.3.2	Inductive Loop Installation.....	9-2
9.3.3	Vehicle Detection Area.....	9-3
9.3.3.1	Presence Detection	9-3
9.3.3.2	Advanced Detection	9-4
9.3.4	Vehicle Detection Delay Settings	9-4
9.3.5	Side Street Detection	9-5
9.3.6	Left Turn Detection.....	9-7
9.3.6.1	Major Street Protected Only Left Turn.....	9-7
9.3.6.2	Major Street Protected / Permissive Left-Turn.....	9-7
9.3.6.3	Major Street with no left turn phase.....	9-8
9.3.6.4	Side Street Protected Only Left Turn.....	9-8
9.3.6.5	Side Street Protected / Permissive Left-Turn	9-8
9.3.7	Advanced Detection	9-9
9.3.8	Dilemma Zone Detection.....	9-9
9.3.9	System Detection	9-11
9.3.10	Bicycle Detection.....	9-11
9.4	Detection Plan Components	9-12
9.4.1	Detection Identification Numbers	9-12
9.4.2	Detection Chart	9-12
10	POWER SERVICE.....	10-1
10.1	Power Source	10-1
10.2	Overhead Power Service	10-2
10.3	Underground Power Service	10-3
10.4	Power Service – Plan Components	10-3
10.5	Voltage Drop.....	10-4
10.5.1	Voltage Drop Equations	10-4

11	CONTROLLER / CABINET	11-1
	11.1 Traffic Signal Controller / Cabinet	11-1
	11.1.1 Traffic Signal Controllers	11-1
	11.1.2 Traffic Signal Cabinets	11-1
	11.1.2.1 Traffic Signal Cabinet Sizes	11-2
	11.1.2.2 Traffic Signal Cabinet Placement	11-2
	11.1.3 Cabinet Foundation	11-3
	11.2 Uninterruptible Power Supply	11-3
	11.2.1 UPS Cabinet Foundation.....	11-3
12	INTERCONNECT	12-1
	12.1 Traffic Signal Interconnect	12-1
	12.2 Interconnect General Notes Sheet.....	12-1
	12.3 Advance Notification	12-2
	12.4 Broadband RF System Design.....	12-2
	12.4.1 System Overview	12-2
	12.4.2 Existing System Connections.....	12-2
	12.4.3 Coaxial System Components	12-4
	12.4.3.1 Cable.....	12-4
	12.4.3.2 Amplifiers and Power Supplies.....	12-5
	12.4.3.3 Pilot Generators	12-7
	12.4.3.4 Directional Couplers and Splitters	12-7
	12.4.3.5 RF Communication Tranceiver Interface.....	12-8
	12.4.3.6 Removal of Coaxial Interconnect Cable and Equipment ...	12-11
	12.5 Closed Loop System Design.....	12-11
	12.6 Fiber Optic Network Design	12-12
	12.6.1 Cable.....	12-12
	12.6.2 Slack Storage	12-12
	12.6.3 Splicing.....	12-13
	12.6.4 Connecting to Devices	12-14
	12.6.5 Redundancy	12-16
	12.6.6 Fiber Optic Ring Design	12-19
	12.7 Communication Nodes	12-21
	12.8 Wireless Ethernet System Design	12-30
	12.9 Underground Cable Installation.....	12-31
	12.10 Overhead Cable Installation	12-31
	12.10.1 New Attachments	12-31
	12.10.2 Existing Attachments.....	12-32
	12.10.3 Remove and Replace Existing Overhead Interconnect.....	12-32
13	UNDERGROUND FACILITIES	13-1
	13.1 Underground Facilities	13-1
	13.2 Conduit General	13-1
	13.2.1 Conduit Types/Sizes	13-1
	13.2.2 Conduit Capacity	13-2

13.2.3	Conduit Clearance from Adjacent Utilities	13-2
13.2.4	Conduit Alignment	13-3
13.3	Conduit Installation.....	13-4
13.3.1	Trench	13-4
13.3.2	Encasement	13-4
13.3.3	Jacked or Drilled	13-5
13.4	Conduit Application	13-6
13.4.1	Traffic Signal Conduit	13-6
13.4.2	Traffic Signal Power Conduit.....	13-6
13.4.3	Interconnect Conduit	13-6
13.4.4	Bridge Conduit	13-7
13.5	Conduit Risers.....	13-8
13.5.1	Traffic Signal Conduit Riser Applications	13-8
13.5.1.1	Existing Wood Pole	13-8
13.5.1.2	Existing Anchor Base Pole	13-8
13.5.1.3	Existing Embedded Pole with Pole Mounted Cabinet.....	13-8
13.5.1.4	Existing Embedded Pole with Ground Mounted Cabinet.....	13-9
13.5.2	Interconnect Conduit Risers	13-9
13.5.3	Power Service Conduit Risers.....	13-9
13.6	Pull Boxes.....	13-10
13.6.1	Pull Box Locations.....	13-10
13.6.2	Pull Box Clearance.....	13-11
13.7	Pull Box Application	13-11
13.7.1	Loop Detector Pull Boxes (12 in. x 18 in.) and (13 in. x 24 in.).....	13-11
13.7.2	Pull Box (27 in.).....	13-12
13.7.3	Pull Boxes (32 in.)	13-12
13.7.4	Pull Boxes (48 in.)	13-13
13.7.5	Traffic Signal Power Pull Box.....	13-13
13.8	Underground Facilities Plan Components.....	13-14
13.8.1	Conduit.....	13-14
13.8.2	Pull Boxes	13-16
14	REMOVAL AND REUSE OF TRAFFIC SIGNAL INSTALLATIONS	14-1
14.1	Removal of Existing Traffic Signal	14-1
14.1.1	Temporary Removal.....	14-1
14.1.2	Removal for Replacement.....	14-1
14.2	Removal of New, Unwarranted, Traffic Signal	14-2
14.3	Removal of Existing Traffic Signal – Plan Components	14-2
14.4	Reuse of Traffic Signal Equipment.....	14-3
15	TIMING / PHASING	15-1
15.1	Traffic Signal Timing.....	15-1
15.1.1	Yellow Clearance Interval.....	15-1
15.1.1.1	Red Light Photo Enforcement	15-1
15.1.2	Red Clearance Interval.....	15-2
15.1.3	Pedestrian Walk Time	15-4

15.1.4 Pedestrian Clearance Interval	15-4
15.1.5 Minimum Initial Green Time.....	15-6
15.1.6 Maximum Green Time.....	15-6
15.1.7 Passage and Extension Time.....	15-6
15.1.7.1 Posted Speed 35 MPH or Less	15-6
15.1.7.2 Posted Speed 40 MPH or Greater.....	15-6
15.2 Traffic Signal Phasing.....	15-8
15.2.1 Phasing Directions	15-8
15.2.2 Vehicle and Pedestrian Recall and Memory.....	15-8
15.2.3 Left-turn Phasing.....	15-8
15.2.4 Split Phasing	15-9
15.2.5 Yellow Trap	15-9
15.2.6 Lead/Lag Phasing	15-11
15.3 Plan Components.....	15-11
15.3.1 Phasing Diagram.....	15-11
15.3.2 Field Wiring Hook-up Chart	15-11
15.3.3 Timing Chart.....	15-11
16 SPECIAL CONDITIONS	16-1
16.1 Special Conditions.....	16-1
16.1.1 Emergency Vehicle Preemption	16-1
16.1.2 Railroad Preemption.....	16-1
16.1.3 Transit Priority	16-1
16.1.4 General Flashing Operation	16-1
16.1.4.1 New Signal Flashing Operations	16-2
16.1.4.2 Programmed (Night) Flashing Operations.....	16-3
16.1.4.3 School Signal Flashing Operations	16-3
16.1.5 Non DPS Pole Attachment Process	16-4

FIGURES

2.1	Traffic Signal Symbols and Legend.....	2-3
2.2	Traffic Signal Wiring Diagram Legend.....	2-5
4.1	Typical Mast Arm Fabrication and Orientation Data.....	4-10
4.2	Typical Mast Arm Fabrication and Orientation Data Chart	4-11
4.3	Typical Span Wire Fabrication and Orientation Data	4-12
4.4	Typical Span Wire Fabrication and Orientation Data Chart.....	4-13
5.1	Vehicular Traffic Signal Head Configuration	5-2
5.2	Vehicular Signal Head Alignment – Single Approach Lane, Configuration A.....	5-7
5.3	Vehicular Signal Head Alignment – Two Approach Lanes, Configuration A	5-8
5.4	Vehicular Signal Head Alignment – Two Approach Lanes, Configuration B	5-9
5.5	Vehicular Signal Head Alignment – Two Approach Lanes, Configuration C.....	5-10
5.6	Vehicular Signal Head Alignment – Two Approach Lanes, Configuration D.....	5-11
5.7	Vehicular Signal Head Alignment – Two Approach Lanes, Configuration E	5-12
5.8	Vehicular Signal Head Alignment – Two Approach Lanes, Configuration F	5-13
5.9	Vehicular Signal Head Alignment – Two Approach Lanes, Configuration G.....	5-14
5.10	Vehicular Signal Head Alignment – Two Approach Lanes, Configuration H.....	5-15
5.11	Vehicular Signal Head Alignment – Three Approach Lanes, Configuration A.....	5-16
5.12	Vehicular Signal Head Alignment – Three Approach Lanes, Configuration B.....	5-17
5.13	Vehicular Signal Head Alignment – Three Approach Lanes, Configuration C.....	5-18
5.14	Vehicular Signal Head Alignment – Three Approach Lanes, Configuration D.....	5-19
5.15	Vehicular Signal Head Alignment – Three Approach Lanes, Configuration E	5-20
5.16	Vehicular Signal Head Alignment – Three Approach Lanes, Configuration F	5-21
5.17	Vehicular Signal Head Alignment – Three Approach Lanes, Configuration G	5-22
5.18	Vehicular Signal Head Alignment – Three Approach Lanes, Configuration H.....	5-23
5.19	Vehicular Signal Head Alignment – Three Approach Lanes, Configuration I	5-24
5.20	Vehicular Signal Head Alignment – Four Approach Lanes, Configuration A	5-25
5.21	Vehicular Signal Head Alignment – Four Approach Lanes, Configuration B	5-26
5.22	Vehicular Signal Head Alignment – Four Approach Lanes, Configuration C	5-27
5.23	Vehicular Signal Head Alignment – Four Approach Lanes, Configuration D	5-28
5.24	Vehicular Signal Head Alignment – Four Approach Lanes, Configuration E (1 of 2)	5-29
5.25	Vehicular Signal Head Alignment – Four Approach Lanes, Configuration E (2 of 2)	5-30
5.26	Vehicular Signal Head Alignment – Four Approach Lanes, Configuration F.....	5-31
5.27	Vehicular Signal Head Alignment – Five Approach Lanes, Configuration A	5-32
5.28	Vehicular Signal Head Alignment – Five Approach Lanes, Configuration B.....	5-33
5.29	Vehicular Signal Head Alignment – Five Approach Lanes, Configuration C (1 of 2)	5-34
5.30	Vehicular Signal Head Alignment – Five Approach Lanes, Configuration C (2 of 2).....	5-35
5.31	Vehicular Signal Head Alignment – Five Approach Lanes, Configuration D.....	5-36
6.1	Pedestrian Signal Head	6-1
6.2	Pedestrian Signal Head Alignment.....	6-2
6.3	Pushbutton Signs (R10-3a(R)), (R10-3a(L)), (CM-R10-3a).....	6-3
6.4	Audible Pushbutton Sign (CM-R73C.03).....	6-4

7.1	Grounding and Bonding Wiring Illustration – Mast Arm Example.....	7-2
7.2	Grounding and Bonding Wiring Illustration – Span Wire Example	7-3
7.3	Typical Vehicular Signal Head Wiring Per Approach	7-7
7.4	Typical Pedestrian Signal Head Wiring	7-8
7.5	Cable Grouping in Conduit	7-11
7.6	Intersection Wiring Diagram With Loop Detectors.....	7-16
7.7	Intersection Wiring Diagram With Video and Combination Lighting	7-17
8.1	Signs, As Per Plan (W3-3-36), (W16-15P-24).....	8-2
8.2	Signs, As Per Plan (W23-H2b-30).....	8-2
8.3	Left/Right On Green Arrow Only (R10-5L, R10-5R)	8-2
8.4	Right Turn Signal (R10-10R).....	8-3
8.5	No Left/Right Turns (R3-2), (R3-1)	8-3
8.6	One Way (R6-2L), (R6-2R)	8-3
8.7	Begin/End One Way (R6-6), (R6-7)	8-4
8.8	No Turn on Red (R10-11b), (R10-11c), (CM-R10-11c)	8-4
8.9	Stop Here On Red (R10-6).....	8-5
8.10	No Ped Crossing Signs (R9-3), (R9-3bP)	8-5
8.11	Bicycle Actuation (R10-22).....	8-6
9.1	Side Street Detection – Case A.....	9-6
9.2	Side Street Detection – Case B.....	9-6
9.3	Side Street Detection – Case C	9-7
9.4	Side Street Left Turn Detection For Protected / Permissive Left-Turn	9-8
9.5	Major Street Left Turn Detection For Protected / Permissive Left-Turn.....	9-9
9.6	Advanced/Dilemma Zone Detection.....	9-10
12.1	Typical Interconnect Plan Symbol Legend	12-3
12.2	RF Network design – Sample Diagram	12-10
12.3	Fiber Patch Cable Jacket/Connector Color	12-15
12.4	Multiple Channel Fiber Optic Patching	12-17
12.5	Multiple Channel Fiber Redundancy	12-18
12.6	Fiber Optic Cable Ring Design	12-19
12.7	Fiber Optic Cable Ring Design.....	12-20
12.8	Fiber Optic Cable Ring Design.....	12-20
12.9	Typical Splicing Diagram – 2 Cables.....	12-23
12.10	Typical Splicing Diagram – 3 Cables.....	12-24
12.11	Typical Splicing Diagram – 4 Cables.....	12-25
12.12	Splicing Orientation – 2 Cables – East/West.....	12-26
12.13	Splicing Orientation – 2 Cables – North/South	12-27
12.14	Splicing Orientation – 3 Cables	12-28
12.15	Splicing Orientation – 4 Cables	12-29
12.16	4.9GHz Frequencies Available for Signal Interconnect Communication.....	12-30
13.1	Minimum Conduit Depth Under Pavement.....	13-5

15.1 Pedestrian Intervals	15-5
15.2 2 Phase Example East-West Mainline	15-12
15.3 2 Phase Example North-South Mainline	15-13
15.4 3 Phase Example East-West Mainline with Leading EBLT Phase	15-14
15.5 3 Phase Example East-West Mainline with Lagging EBLT Phase	15-15
15.6 3 Phase Example East-West Mainline with Leading WBLT Phase.....	15-16
15.7 3 Phase Example North-South Mainline with Leading NBLT Phase.....	15-17
15.8 3 Phase Example North-South Mainline with Lagging NBLT Phase.....	15-18
15.9 3 Phase Example North-South Mainline with SBLT Phase	15-19
15.10 4 Phase Example East-West Mainline with EBLT and NBLT Phases	15-20
15.11 4 Phase Example East-West Mainline with EBLT and SBLT Phases	15-21
15.12 4 Phase Example East-West Mainline with WBLT and NBLT Phases	15-22
15.13 4 Phase Example East-West Mainline with WBLT and SBLT Phases	15-23
15.14 4 Phase Example North-South Mainline with NBLT and EBLT Phases	15-24
15.15 4 Phase Example North-South Mainline with NBLT and WBLT Phases	15-25
15.16 4 Phase Example North-South Mainline with SBLT and EBLT Phases	15-26
15.17 4 Phase Example North-South Mainline with SBLT and WBLT Phases.....	15-27
15.18 8 Phase Example East-West Mainline	15-28
15.19 Split Phase Example East-West Mainline Split Phase Side Street.....	15-29
15.20 8 Phase Example North-South Mainline.....	15-30
15.21 Split Phase Example North-South Mainline Split Phase Side Street	15-31
15.22 N-S Lead-Lag Phasing Example 1 North-South Mainline.....	15-32
15.23 E-W Lead-Lag Phasing Example 2 North-South Mainline.....	15-33
15.24 Lead-Lag Phasing Example 3 North-South Mainline.....	15-34
16.1 Sample Pole Attachment Agreement Work Sheet (AEP)	16-5
16.2 Sample Pole Attachment Agreement Work Sheet (COC)	16-6

TABLES

2.1	CAD Layer Naming	2-1
4.1	Overhead Utility Clearances.....	4-7
5.1	Vehicular Signal Head Location Guidelines	5-5
7.1	Minimum Number of Conductors.....	7-9
7.2	Pedestrian Signal Head – Field Wiring Color Codes.....	7-9
7.3	Vehicular Signal Head – Field Wiring Color Codes	7-10
7.4	Traffic Signal Cable Sizes	7-13
7.5	Overhead Wires, Cables and Equipment Clearances	7-15
9.1	Presence Detection Width.....	9-3
9.2	Advanced/Dilemma Detection Size	9-4
9.3	Recommended Detector Delay Settings	9-5
9.4	Advanced/Dilemma Zone Detector Locations	9-10
9.5	Detection Chart – Example #1 (Video Detection).....	9-13
9.6	Detection Chart – Example #2 (Inductive Loop Detectors).....	9-13
9.7	Detection Chart – Example #3 (Inductive Loop Detectors and Video Detection)	9-14
9.8	Detection Chart – Example #4 (Inductive Loop Detectors in a Closed Loop System).....	9-14
10.1	Typical Wattage	10-4
12.1	Coaxial Cable Types by Application.....	12-5
12.2	Trunk Coaxial Cable Tracer Colors	12-5
12.3	Coaxial Network Communications Equipment Frequencies.....	12-7
12.4	Signal Loss by Device	12-8
12.5	RF Network Design – Sample Calculations Table.....	12-9
12.6	Typical Approximate Splice Enclosure Size	12-14
13.1	Conduit Dimensions	13-2
13.2	Minimum Conduit Clearance	13-3
13.3	Minimum Trench Depth.....	13-4
13.4	Minimum Number of Conduits.....	13-7
13.5	Pull Box Dimensions	13-16
14.1	Example Traffic Signal Removal Chart	14-2
15.1	Vehicular Clearance Times	15-3
15.2	-8 Phase Timing Chart Major Street E-W, Minor Street N-S	15-35
15.3	-8 Phase Timing Chart Major Street N-S, Minor Street E-W	15-36
15.4	-4 Phase Timing Chart Major Street E-W, Minor Street N-S	15-37
15.5	-4 Phase Timing Chart Major Street N-S, Minor Street E-W	15-38

CHAPTER 1: GENERAL

1.1 Purpose and Application of this Manual

The City of Columbus Traffic Signal Design Manual (hereinafter the “Manual”) has been developed to promote uniformity in the application of traffic engineering practices, policies, and guidelines with respect to traffic signal design and signal system coordination in the City of Columbus. It is intended to clarify City expectations and expedite the production and review of design plans as well as the construction and operation of traffic signals. The intent of this Manual is to provide standards and best practices to the designer. It is not intended to supersede requirements of law nor application of sound principles by a knowledgeable design professional.

The Engineer in responsible charge for applying the concepts and practices assembled in this Manual is required to hold current registration as a Professional Engineer in the State of Ohio. The Engineer must also be prequalified by the Ohio Department of Transportation (ODOT) for Traffic Signal and/or Signal System design as applicable to the specific design effort.

While this Manual compiles guidelines, practices and requirements from a variety of sources, it is not warranted or represented to be comprehensive or sufficient in every respect. Engineering knowledge, experience and judgment must always be used to determine whether, and how, to apply the information included herein to specific situations.

Newer, or different, design techniques presented herein do not imply that existing signal designs are unsafe, nor does it mandate the initiation of improvement projects. Rehabilitation projects often enable the maintaining agency to improve safety by selectively upgrading existing intersection features without the cost of full reconstruction. Accordingly, the extent to which this Manual is applied to maintenance and rehabilitation projects may vary depending on the scope of the improvement and site specific investigations, history and analysis.

Criteria guiding the decision to install or maintain a traffic signal in lieu of other types of traffic control devices are beyond the scope of this Manual and are not addressed herein. The reader is directed to the Ohio Manual of Uniform Traffic Devices (OMUTCD) and other City guidelines governing the selection of traffic controls.

1.2 References

Several references to other publications are provided throughout this document. These references and associated links are current at the time of publication. The City of Columbus does not monitor the external resources and the designer is responsible to consult the source for updates and or modifications. The most current version should be used.

City of Columbus Construction and Material Specifications
<http://www.columbus.gov/Templates/Detail.aspx?id=65097>

Supplemental Specification 1100
<http://www.columbus.gov/Templates/Detail.aspx?id=65099>

Ohio Manual of Uniform Traffic Control Devices
http://www.dot.state.oh.us/Divisions/Engineering/Roadway/DesignStandards/traffic/OhioMUTCD/Pages/OMUTCD2012_current_default.aspx

City of Columbus Qualified Products List
http://www.columbus.gov/uploadedFiles/Public_Service/Document_Library/Approved%20Producers%20and%20Products.pdf

City of Columbus Standard Construction Drawings
<http://www.columbus.gov/Templates/Detail.aspx?id=65098>

National Electrical Code
<http://www.nfpa.org/index.asp?cookie%5Ftest=1>

National Electrical Safety Code
<http://standards.ieee.org/>

IMSA Official Wire & Cable Specification Manual
<http://www.imsasafety.org/>

Ohio Department of Transportation's Traffic Engineering Manual
<http://www.dot.state.oh.us/Divisions/Engineering/Roadway/DesignStandards/traffic/TEM/Pages/default.aspx>

Ohio Department of Transportation's Location and Design Manual
<http://www.dot.state.oh.us/Divisions/Engineering/Roadway/DesignStandards/roadway/Pages/locationanddesignmanuals.aspx>

SWISS Span Wire Software
<http://www.dot.state.oh.us/Divisions/Engineering/Roadway/TrafficControl/Pages/swiss.aspx>

Occupational Safety and Health Administration

<http://www.osha.gov/>

Highway Capacity Manual (HCM)

<http://www.trb.org/Main/Blurbs/164718.aspx>

City of Columbus Rules and Regulations, Wheelchair Ramp Requirements

<http://www.columbus.gov/Templates/Detail.aspx?id=64870>

City of Columbus, Computer Aided Drafting (CAD) Standards For Creation And Submittal Of Digital Drawings

<http://www.columbus.gov/Templates/Detail.aspx?id=44288>

City of Columbus E-Plan requirements

<http://bzs.columbus.gov/DocListing.aspx?id=28471>

Columbus Development Guide

http://bzs.columbus.gov/uploadedFiles/Building_and_Zoning_Services/Document_Library/Policies_Procedures_and_Guielines/Development-Guide-2009.pdf

Sample Plan Sheets

<http://www.columbus.gov/Templates/Detail.aspx?id=65103>

Ohio Utilities Protection service

<http://www.oups.org/>

Ohio Department of Transportation, Item Master

<http://www.dot.state.oh.us/Divisions/ContractAdmin/Contracts/Construction/Forms/ItemMaster.aspx>

Design Guidelines for Water Distribution System Capital Improvement Projects

<http://columbus.gov/WorkArea/linkit.aspx?LinkIdentifier=id&ItemID=57429>

City of Columbus Street Lighting Specifications (MIS Drawings)

<http://www.columbus.gov/Templates/Detail.aspx?id=66553>

Ohio Revised Code

<http://codes.ohio.gov/orc/4511>

Right-of-Way (ROW) Plan Routing Manual

<http://columbus.gov/WorkArea/DownloadAsset.aspx?id=56378>

Ohio Department of Transportation's Standard Construction Drawing

<http://www.dot.state.oh.us/Divisions/Engineering/Roadway/DesignStandards/traffic/SCD/Pages/default.aspx>

City of Columbus Utility Manual

<http://www.columbus.gov/WorkArea/DownloadAsset.aspx?id=59031>

American National Standards Institute

<http://www.ansi.org/>

1.3 Plan Approval

Plan routing and approval is subject to the specific application and can generally be categorized into one of the following three classifications: capital improvement projects, privately funded projects and private utility projects.

1.3.1 Capital Improvement Projects

For Capital Improvement Projects (CIP) and projects managed by a City of Columbus Department or Division (usually the Department of Public Service) the plan submittal and approval process shall be coordinated directly with the assigned project manager/coordinator.

Projects managed by the City of Columbus Department of Public Service shall conform to City of Columbus [E-Plan \(XXXX-E\)](#) requirements. Projects funded and managed by the Department of Public Utilities may be subject to varying plan format requirements. In all cases the plan approval process shall be coordinated with the City of Columbus project manager/ coordinator.

1.3.2 Privately Funded Projects

For privately funded projects the design, review and approval process is also subject to the requirements outlined by the [City of Columbus Department of Building and Zoning Services](#) in the [Columbus Development Guide](#).

1.3.3 Private Utility Projects

Private utility projects that impact traffic signals are subject to the design, review and approval process outlined in the City of Columbus [Right-of-Way \(ROW\) Plan Routing Manual](#).

The number of City of Columbus Departments that will review the plan is based on the plan content, the proximity to adjacent facilities and potential for conflicts. Traffic signal improvements are normally subject to concurrent review and approval from some or all of the following City Departments/Divisions.

Department of Public Service:

- Division of Mobility Options
- Division of Planning and Operations
- Division of Design and Construction

Department of Public Utilities:

- Division of Water
- Division of Sewerage and Drainage
- Division of Power

Department of Recreation and Parks
 Department of Technology
 Department of Support Service - Communications
 Fire Prevention Bureau, Division of Fire

Other Departments/Divisions may have review authority depending on the scope of the improvement.

When traffic signals are located adjacent to or partially within an adjacent jurisdiction(s) approval from these jurisdiction(s) may be required.

1.4 Utility Coordination

As outlined in the [City of Columbus Utility Manual](#), the location of all underground and overhead utilities as well as ownership shall be identified and clearly shown on the plan. The referenced Utility Manual outlines the responsibility of the design Consultant and coordination requirements. A sample coordination log and utility company contact list is provided with the Utility Manual.

1.5 Traffic Signal Design Checklists

Checklists provided herein apply to all projects affecting signalized intersections. These checklists were developed to correspond to a staged submittal process and include Pre-Design Field meeting, Stage 1, Stage 2, and Stage 3.

Pre-Design Field Meeting

Prior to the initial Stage 1 submittal, the Design Consultant and the City of Columbus shall conduct an onsite traffic signal pre-design field meeting. This field meeting shall review traffic signal design elements as identified on the enclosed checklist.

Prior to the pre-design field meeting, existing underground utilities should be marked through the Ohio Utilities Protection Service (OUPS), the City of Columbus Department of Public Service, and the Division of Planning and Operations. Contact the traffic maintenance shop by fax at (614) 645-5967 and title the fax "ATTENTION: LOCATOR" and the "PROJECT NAME" to have existing underground traffic facilities located and marked in the field. To follow-up with a locate request submitted after 48 hours, contact the Traffic Maintenance Shop at (614) 645-7393.

Pre-Design Field Meeting Checklist
Sheet (1 of 2)

Intersection: _____ Date: _____

Consultant: _____

City Representative(s): _____

Controller:

Dual ring: [yes No] Master: [yes no] Telephone: [yes no]

Type: base _____ pole _____ Location: [NE NW SE SW]

Side of cabinet Door: [N S E W NE SE SW NW]

Operational phases: [2 3 4 5 6 7 8] Left turn phases: [NB SB EB WB]

Interconnect type: [coax twisted fiber wireless future] other: _____

Cabinet Size: [K M30 M36 P44 UPS44] Other: _____

Pole Configuration:

Mast arm: Standard decorative special color: _____

Span: pole-to-to-pole suspended box combo

Vehicular heads:

Size: Mainline _____ inches Side street _____ inches

Number of heads: NB _____ SB _____ EB _____ WB _____

Pedestrian Signals:

North x-walk _____ South x-walk _____ East x-walk _____ West x-walk _____

Accessible Pedestrian Signals:

North x-walk _____ South x-walk _____ East x-walk _____ West x-walk _____

Pushbuttons: NW _____ NE _____ SW _____ SE _____

ADA pathways: NEC _____ SEC _____ NWC _____ SWC _____

Pedestal: (height)

NE: N X-walk _____ E X-walk _____ SE: S X-walk _____ E X-walk _____

SW: S X-walk _____ W X-walk _____ NW: N X-walk _____ W X-walk _____

Interconnect Conduit :

Number and Size of conduits: _____

Conduit direction/location: _____

Pull Box size for interconnect system: 27" _____ 32" _____ 48" _____

Pole attachment agreement: [yes no] Company _____

Pre-Design Field Meeting Checklist
Sheet (2 of 2)

Conduit type:

Size (2", 3", 4")	Use	Encased
_____ Rigid metal conduit	_____	NO
_____ PVC SCH 40	_____	YES OR NO
_____ PVC SCH 80	_____	YES OR NO
_____ Polyethylene 80	_____	YES OR NO
_____ Polyethylene 13.5	_____	YES OR NO
_____ Flexible Metal	_____	NO
_____ Fiberglass	_____	YES OR NO
Other _____	_____	YES OR NO

Detector layout:

Speed limit: mainline _____ side street _____ Detection Type: [Video Loops Other]

Mainline loop locations: far _____ near _____ 2nd car _____/_____

Side street: Stop line: _____

Stop line: _____

2nd car: _____

Aerial Utilities:

Overhead electrical clearance conflicts: [yes no maybe] corners _____

Overhead sign on span/mast arm: _____

Temp pole locations: NE Corner _____ SE Corner _____ NW Corner _____ SW Corner _____

Work Zone Signal: [yes no]

Power source:

Location: _____ Power company: _____

Pole/Transformer Tag # X= _____ Y= _____

Type: [Aerial Pad Mounted Underground Vault]

Spare equipment to be provided by project:

Controller _____ Pedestal _____ Video bracket arm _____

Video Detector unit _____ Mastarm Support _____

Communication Interface Control Unit _____

Other: _____

Stage 1 - Submittal Checklist

Items listed below shall be included or shown on the traffic signal plan for a Stage 1 submittal.

Existing infrastructure (minimum items to show):

- Underground and overhead utilities
- Right-of-way and corporation lines
- Edge of pavement, curb, walk, etc.
- Curb ramp locations
- Pavement markings
- Traffic signal poles and pedestals
- Traffic signal cabinet
 - If an existing pole mounted cabinet is to be used, check for overhang violations.
- Traffic pull boxes
 - An existing pull box that will be incorporated in the proposed concrete walk shall be checked to ascertain if it is rated for concrete installation.
- Pushbuttons and pedestrian signal heads
 - Show each existing pushbutton and each existing pedestrian signal head. Orientate these items correctly on the plans. Check the pushbuttons for proper ADA height and type requirements. Record the height above the ADA pathway and type. Determine if each pushbutton meets current ADA requirements. Mounting heights greater than the City's ADA requirements shall result in the relocation of the pushbutton to the current standard mounting height. Non-ADA type pushbutton shall be replaced with an approved Department ADA pushbutton.
- Traffic conduit
- Loop detector
 - Show each loop, its lead-in, and its associated pull box, if any, on all side streets and the main street that are or may be affected by the project. Ascertain whether the loop detector lead-in cable is in a raceway or direct buried. Any direct buried lead-in cable that will be under proposed sidewalk shall be replaced with new cable in conduit. Loops shall be shown to scale. Relocate any existing pull box that lies in a curb ramp, its landing area or its flare area. This may require pull box replacement and a redesign of the loop underground. If loops are not visible in the field, contact the City of Columbus for record plan information.

Proposed infrastructure including:

- Underground and overhead utilities
- Right-of-way and corporation lines
- Edge of pavement, curb, walk, etc.
- Curb ramp locations
- Pavement markings
- Traffic signal poles and pedestals
- Pull boxes
- Conduit routings
- Controller location and orientation
 - Show the proposed pole mounted control cabinet if relocated or the proposed base mounted cabinet and all required installation diagrams and typicals.
- Vehicular signal head locations and configurations
- Signal head configuration legend
- Existing and/or proposed pavement markings
- Legend
- Span configuration

Stage 2 - Submittal Checklist

In addition to the items outlined in the Stage 1 checklist, items listed below shall be included or shown on the signal plan for a Stage 2 submittal.

- Traffic signal power source
- Identify the proposed power supplier and source location
 - If feasible written documentation from the power company
- Proposed push button and pedestrian signal head locations and orientation
 - Show proposed pushbuttons and associated landing areas. Adhere to all Division and ADA guidelines in the plan design as they relate to pushbutton placement and the associated pushbutton landing/ramp area. Clearly show landing areas and all required elevations. All pushbuttons shall be centered over a landing area (explicit or implied by walk design elevations).
- Detection zones and/or loop locations
 - All loops and detection zones shall be drawn to scale.
- Detailed conduit and wiring callout information
- Field wiring hookup chart
- Wiring diagram
- Phasing diagram
- Detection chart
- Signal support mounted signs
- Traffic signal interconnect including splicing details and devices
- Conduit bank details/typicals for encased interconnect
- Special details
- SWISS calculations for span wire traffic signals
- Traffic signal removal chart
- Disposition to Stage 1 review comments

Stage 3 - Submittal Checklist

In addition to the items outlined in the Stage 1 and 2 checklists, items listed below shall be included or shown on the signal plan for a Stage 3 submittal.

- Timing chart
- Traffic signal notes and "As Per Plan" notes.
- Traffic signal – maintenance of traffic notes
- Plan sheet notes
- Signal pole fabrication, orientation and data chart
- Estimate of quantities
- Joint use pole attachment agreement and associated permits
- Traffic signal standard drawing references on the title sheet
- Disposition to Stage 2 review comments

CHAPTER 2: PLAN PREPARATION

2.1 Drafting Standards

The digital drawing guidelines described herein are furnished to provide a technical guide for the creation of digital information as defined in the [Columbus Development Guide](#). The purpose of these standards is to create consistency in the format of digital CAD drawings and images submitted to the City of Columbus.

Drawing files should be developed using AutoCAD consistent with the requirements outlined in the [Computer Aided Drafting \(CAD\) Standards For Creation And Submittal Of Digital Drawings](#) as published by the City of Columbus.

While the above referenced document outlines layer names for traffic signal plan elements, the list outlined in **Table 2.1 Cad Layer Naming** should be used.

Table 2.1
CAD Layer Naming

Layer Description	Name of Layer	Line weight
Signal Poles - Existing	COC-SGNL-POLE-E	50%
Signal Poles - Proposed	COC-SGNL-POLE-N	70%
Signal Poles - Down Guys - Existing	COC-SGNL-POLE-GUYS-E	50%
Signal Poles - Down Guys - Proposed	COC-SGNL-POLE-GUYS-N	70%
Signal Heads - Existing	COC-SGNL-HEAD-E	50%
Signal Heads - Proposed	COC-SGNL-HEAD-N	70%
Conduit - Existing	COC-SGNL-COND-E	50%
Conduit - Proposed	COC-SGNL-COND-N	100%
Pull boxes - Existing	COC-SGNL-PULL-E	50%
Pull boxes - Proposed	COC-SGNL-PULL-N	70%
Detectors (loop)- Existing	COC-SGNL-DECT-LOOP-E	50%
Detectors (loop)- Proposed	COC-SGNL-DECT-LOOP-N	70%
Detectors (video) - Existing	COC-SGNL-DECT-VDEO-E	50%
Detectors (video) - Proposed	COC-SGNL-DECT-VDEO-N	70%
Detectors (microwave) - Existing	COC-SGNL-DECT-MICR-E	50%
Detectors (microwave) - Proposed	COC-SGNL-DECT-MICR-N	70%
Detectors (RADAR) - Existing	COC-SGNL-DECT-RADR-E	50%
Detectors (RADAR) - Proposed	COC-SGNL-DECT-RADR-N	70%
Pavement markings -Existing	COC-SGNL-MRKG-(TYPE)-E	50%
Pavement markings -Proposed	COC-SGNL-MRKG-(TYPE)-N	70%

Table 2.1 (cont.)
CAD Layer Names

Layer Description	Name of Layer	Line weight
Signal Controller Cabinet / Pad Mount - Existing	COC-SGNL-CONT-BASE-E	50%
Signal Controller Cabinet/ Pad Mount - Proposed	COC-SGNL-CONT-BASE-N	70%
Signal Controller Cabinet / Pole Mount - Existing	COC-SGNL-CONT-POLE-E	50%
Signal Controller Cabinet/ Pole Mount - Proposed	COC-SGNL-CONT-POLE-N	70%
Overhead Wire - Existing	COC-SGNL-OVHD-E	50%
Overhead Wire - Proposed	COC-SGNL-OVHD-N	70%
Mast Arm - Existing	COC-SGNL-MAST-E	50%
Mast Arm - Proposed	COC-SGNL-MAST-N	70%
Signal Text - Existing	COC-SGNL-TEXT-E	50%
Signal Text - Proposed	COC-SGNL-TEXT-N	70%
Signal Details - Medium	COC-SGNL-DETL-MEDM	70%
Signal Details - Header	COC-SGNL-DETL-HEDR	100%
Signal Dimensions - Existing	COC-SGNL-DIMS-E	50%
Signal Dimensions - Proposed	COC-SGNL-DIMS-E	70%
Interconnect Cabinet / Pad Mount - Existing	COC-INTCOC-CONT-BASE-E	50%
Interconnect Cabinet/ Pad Mount - Proposed	COC-INTCOC-CONT-BASE-N	70%
Interconnect Cabinet / Pole Mount - Existing	COC-INTCOC-CONT-POLE-E	50%
Interconnect Cabinet/ Pole Mount - Proposed	COC-INTCOC-CONT-POLE-N	70%
Signs - Ground Mount - Existing	COC-SGNL-SIGN-GRND-E	50%
Signs - Ground Mount - Proposed	COC-SGNL-SIGN-GRND-N	70%
Signs - Pole Mount - Existing	COC-SGNL-SIGN-POLE-E	50%
Signs - Pole Mount - Proposed	COC-SGNL-SIGN-POLE-N	70%
Signs - Overhead Mount - Existing	COC-SGNL-SIGN-OVHD-E	50%
Signs - Overhead Mount - Proposed	COC-SGNL-SIGN-OVHD-N	70%
Sign Text - Existing	COC-SGNL-SIGN-TEXT-E	50%
Sign Text - Proposed	COC-SGNL-SIGN-TEXT-N	70%
Sign Details	COC-SGNL-SIGN-DETL-N	70%

Layer Identifier


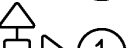


















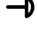
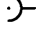
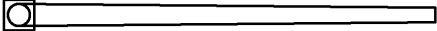



E =	EXISTING
N =	NEW/PROPOSED
F =	FUTURE
T =	TEMPORARY
D =	DEMOLISHED/REMOVED

Pavement Marking Type (TYPE)

Edge Line - White
Edge Line - Yellow
Center Line - Double Yellow
Center Line - Solid Dash
Lane Line
Stop Line
Channelizing Line
Arrow
Word

2.1.1 Traffic Signal Plan Symbols/Legend

Figure 2.1
Traffic Signal Symbols and Legend

Signal Heads	Cabinets
 Existing  Existing  Proposed  Proposed  Ped Signal	<p>Sizes vary - see detail drawings for correct sizing. Structures should be placed on corresponding layer:</p>  Traffic Controller Cabinet w/Pad (Existing)  Traffic Controller Cabinet w/Pad (Proposed)  Traffic Controller Cabinet: Pole Mount  Traffic Controller Cabinet: Ground Mount  Traffic Amplifier Cabinet  Traffic Camera Cabinet  Traffic Power Supply Cabinet  UPS Traffic Controller Cabinet w/Pad: Type 1  UPS Traffic Controller Cabinet w/Pad: Type 2
Poles	Miscellaneous
 Anchor/Strain Pole (Existing)  Anchor/Strain Pole (Proposed)  Pedestal (Existing)  Pedestal (Proposed)  Embedded Traffic Pole  Wood Traffic Pole  Push Button  Guy Wire  Mast Arm (Existing)  Mast Arm (Proposed)	 Red Light Camera  Red Light Camera Flash

**Figure 2.1 (cont.)
Traffic Signal Symbols and Legend**







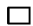




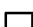














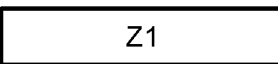

<u>Pullboxes</u>		<u>Pullboxes</u>	
Existing		Proposed	
	18" x 12"		18" x 12"
	17" x 12"		24" x 13"
	18" x 13"		27" round
	20" x 15"		32" round
	21" x 16"		48" round
	24" x 13"		
	25.5" x 16"		
	30" x 30"		
	30" x 30"		
	32.25" x 22.75"		
	48" x 30"		
	48" x 48"		
	10" round		
	18" round		
	27" round		
	32" round		
	48" round		
		<u>Detection/Monitors</u>	
			Traffic Flow Monitor
			Microwave
			Radar Unit
			Video Detection
			Zone
			Loops

Figure 2.2
Traffic Signal Wiring
Diagram Legend

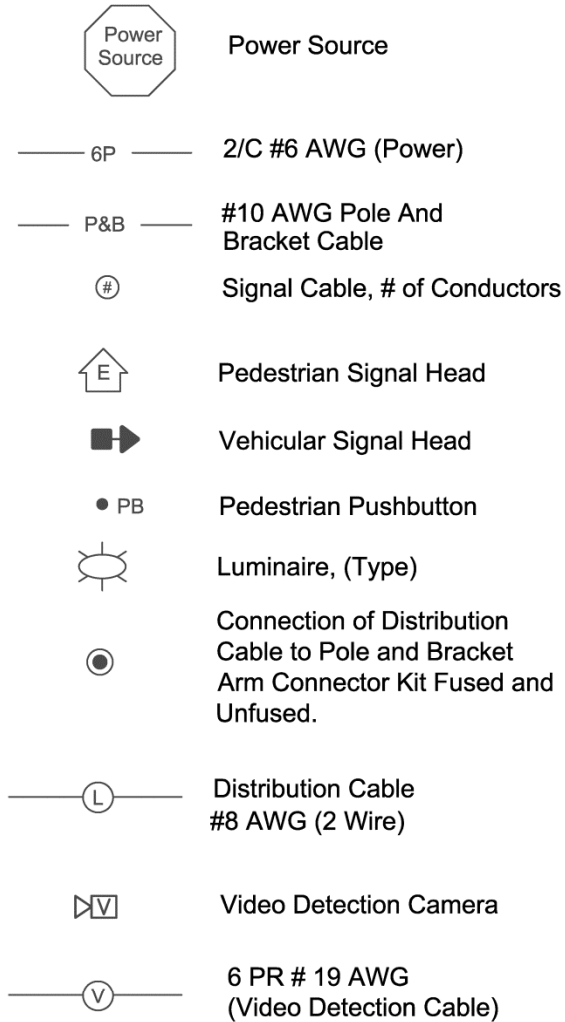
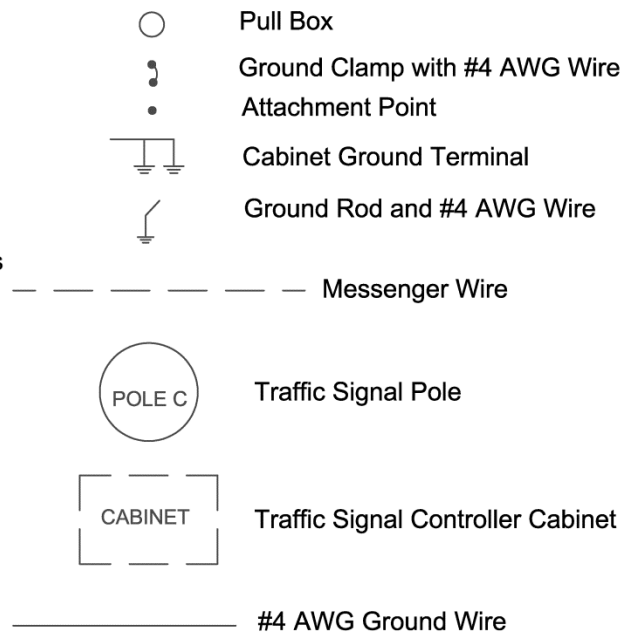


Figure 2.3
Grounding and Bonding
Diagram Legend



2.2 Plan Sheets

Sample plan sheets are provided by the City of Columbus, Department of Public Service, [Sample Plan Sheets](#).

2.2.1 Traffic Signal General Notes Sheet

Traffic signal general note sheets shall contain notes including standard reference notes, project specific notes, and traffic signal “As Per Plan” notes.

General traffic signal notes are provided by the City of Columbus, Department of Public Service.

2.2.2 Traffic Signal Estimate of Quantities

An estimate of quantities should be provided for each signalized intersection in the project. Quantities should be totaled and carried to the general summary when applicable. See **Section 2.3**.

2.2.3 Traffic Signal Plan Sheet

The traffic signal plan sheet shall be furnished with the following drawing characteristics and design information:

Drawing Characteristics

- The traffic signal plan view should be drawn at a scale of 1”:20’. A scale of 1”:10’ may be used when needed to show additional detail.
- Plan symbols for pole foundations, pull boxes and detection areas shall be drawn to scale accurately depicting the actual size of individual items.

The following design components shall be provided with each traffic signal improvement as applicable.

- Street names in drawing boarder (list alphanumerically)
- North arrow
- Scale bar
- Legend
- Centerline/stationing
- Pavement markings
- Pavement/curb/walk
- Underground utilities
- Overhead utilities
- Signal support/span mounted signs and sign legend
- Lane assignment/lane use arrows
- Street names on plan view

- Right-of-way
- Pedestrian signal head locations / orientation
- Vehicular signal head locations / orientation
- Pedestrian pushbutton locations / orientation
- Signal pole locations
- Controller location
- Pull box locations
- Conduit sizes and lengths
- Signal wiring identified for each conduit
- Power source location
- Signal plan sheet notes
- Signal head configuration legend
- Detection areas
- Removal chart
- Pushbutton sign legend

2.2.4 Traffic Signal Detail Sheet

The traffic signal detail sheet shall be furnished with the following design information as applicable.

- Phasing diagram, w/ Columbus intersection number
- Detector chart
- Wiring diagram and legend
- Field wiring hookup chart
- Timing chart
- Detail sheet notes
- Grounding and bonding wiring diagram
- Coaxial - Communication Interface Control Unit (CICU) chart (If applicable)

2.2.5 Traffic Signal Pole Fabrication and Orientation Data Sheet

The Traffic Signal Pole Fabrication and Orientation Data sheet shall be furnished with the following design information as applicable.

- Mast arm fabrication and orientation data chart
- Strain pole fabrication and orientation data chart
- Orientation legend
- Span wire diagram
- Signal support elevation detail (optional)

2.2.6 Traffic Signal Interconnect Sheets

For traffic signal interconnect requirements, see **Chapter 12**.

2.3 Estimate of Quantities

Typical traffic signal quantity descriptions are listed below. When feasible item descriptions should be consistent with the Ohio Department of Transportation's, [Item Master List](#). Quantities shall be furnished for each signalized intersection improvement.

ITEM	UNIT	DESCRIPTION
614	LUMP	MAINTAINING TRAFFIC, AS PER PLAN
614	EACH	SPECIAL - WORK ZONE TRAFFIC SIGNAL
614	EACH	MAINTAINING TRAFFIC, MISC.: TEMPORARY VIDEO DETECTION SYSTEM
625	EACH	GROUND ROD
625	EACH	PULLBOX, 725.06, 12"X18"
625	EACH	PULLBOX, 725.06, 13"X24"
625	EACH	PULLBOX, 725.08, 32"
625	EACH	PULLBOX, 725.08, 48"
625	FT	TRENCH
625	FT	TRENCH, 30" DEEP, AS PER PLAN [for use with 27" Pull box]
625	FT	TRENCH, 36" DEEP, AS PER PLAN [for use with 32" Pull box]
625	FT	TRENCH, 39" DEEP, AS PER PLAN [for use with 48" Pull box]
625	FT	TRENCH IN PAVED AREAS, TYPE A
625	FT	TRENCH IN PAVED AREAS, TYPE B
625	FT	CONDUIT, 2", 725.04,
625	FT	CONDUIT, 3", 725.04,
625	FT	CONDUIT, 1", 725.051
625	FT	CONDUIT, 2", 725.051
625	FT	CONDUIT, 3", 725.051
625	FT	CONDUIT, _____", DRILLED OR DIRECTIONALLY BORED
625	FT	CONDUIT, CONCRETE ENCASED, _____", 725.051
625	FT	CONDUIT, MISC.: ENCASED INTERCONNECT CONDUIT BANK, 4-3", 2-2" & 1-1.5", TC-2, AS PER PLAN
625	FT	NO. 4 AWG 600 VOLT DISTRIBUTION CABLE, AS PER PLAN
625	EACH	BRACKET ARM MISC.: LUMINAIRE BRACKET ARM
625	EACH	BRACKET ARM, 25'
625	EACH	BRACKET ARM, 30'

630	EACH	SIGN HANGER ASSEMBLY, MAST ARM, AS PER PLAN
630	EACH	SIGN SUPPORT ASSEMBLY, POLE MOUNTED, AS PER PLAN
630	EACH	SIGN, FLAT SHEET, AS PER PLAN
630	LUMP	SIGNING, MISC.: TRAFFIC SIGNAL SIGNS
632	EACH	VEHICULAR SIGNAL HEAD, (LED) 3-SECTION, 12" LENS, 1-WAY, (WITH BACKPLATE), (POLYCARBONATE)
632	EACH	VEHICULAR SIGNAL HEAD, (LED) 4-SECTION, 12" LENS, 1-WAY, (WITH BACKPLATE), (POLYCARBONATE)
632	EACH	VEHICULAR SIGNAL HEAD, (LED) 5-SECTION, 12" LENS, 1-WAY, (WITH BACKPLATE), (POLYCARBONATE)
632	EACH	VEHICULAR SIGNAL HEAD, OPTICALLY PROGRAMMED, 3 SECTION, 12"
632	EACH	VEHICULAR SIGNAL HEAD, OPTICALLY PROGRAMMED, 4 SECTION, 12"
632	EACH	VEHICULAR SIGNAL HEAD, OPTICALLY PROGRAMMED, 5 SECTION, 12"
632	EACH	PEDESTRIAN SIGNAL HEAD (LED), (COUNTDOWN)
632	EACH	PEDESTRIAN PUSHBUTTON
632	EACH	ACCESSIBLE PEDESTRIAN PUSHBUTTON
632	EACH	LOOP DETECTOR UNIT
632	EACH	DETECTOR LOOP
632	EACH	DOWN GUY
632	EACH	STRAIN POLE FOUNDATION
632	EACH	SIGNAL SUPPORT FOUNDATION
632	EACH	PEDESTAL FOUNDATION
632	EACH	SIGNALIZATION MISC.: SLEEVE FOR ANCHOR BASE FOUNDATION
632	EACH	SIGNAL SUPPORT, TYPE 4120, DESIGN ____
632	EACH	COMBINATION SIGNAL SUPPORT, TYPE 4120, DESIGN ____
632	EACH	SIGNAL SUPPORT, TYPE 4121, DESIGN ____
632	EACH	COMBINATION SIGNAL SUPPORT, TYPE 4121, DESIGN ____
632	EACH	STRAIN POLE, TYPE 4170, DESIGN ____
632	EACH	WOOD POLE
632	EACH	PEDESTAL, 5', TRANSFORMER BASE

632	EACH	PEDESTAL, 10.7', TRANSFORMER BASE
632	EACH	PEDESTAL, 12.7', TRANSFORMER BASE
632	EACH	PEDESTAL, 17.5', TRANSFORMER BASE
632	EACH	PEDESTAL, 21', TRANSFORMER BASE
632	EACH	CONDUIT RISER, _____ INCH DIAMETER, [specify 725.04 or 725.05]
632	FT	MESSENGER WIRE, 7 STRAND, (BY SIZE) INCH DIA. WITH ACCESSORIES
632	FT	SIGNAL CABLE, 7 CONDUCTOR, NO. 14 AWG
632	FT	SIGNAL CABLE, 9 CONDUCTOR, NO. 14 AWG
632	FT	LOOP DETECTOR LEAD IN CABLE
632	FT	POWER CABLE, 2 CONDUCTOR, NO. 6 AWG
632	FT	POWER CABLE, 2 CONDUCTOR, NO. 8 AWG
632	FT	SERVICE CABLE, 2 CONDUCTOR, NO. 6 AWG
632	FT	SERVICE CABLE, 2 CONDUCTOR, NO. 8 AWG
632	EACH	COVERING OF VEHICULAR SIGNAL HEAD
632	EACH	COVERING OF PEDESTRIAN SIGNAL HEAD
632	EACH	COVERING OF PEDESTRIAN PUSHBUTTON
632	EACH	REMOVAL OF TRAFFIC SIGNAL INSTALLATION, AS PER PLAN
632	EACH	SIGNALIZATION MISC.: REMOVAL OF NEW, UNWARRANTED, TRAFFIC SIGNAL
632	EACH	REMOVAL OF MISCELLANEOUS TRAFFIC SIGNAL ITEM (ITEM DESCRIPTION)
632	EACH	REUSE OF (ITEM)
632	EACH	SIGNALIZATION, MISC.: VIDEO DETECTION SYSTEM
632	EACH	SPREAD SPECTRUM RADIO, AS PER PLAN
633	EACH	CONTROLLER, MASTER, TRAFFIC RESPONSIVE
633	EACH	TELEPHONE SERVICE
633*	EACH	CONTROLLER UNIT WITH CABINET, 2 PH, K,

		POLE MOUNTED
633*	EACH	CONTROLLER UNIT WITH CABINET, 4 PH, M30, POLE MOUNTED
633*	EACH	CONTROLLER UNIT WITH CABINET, 4 PH, M36, POLE MOUNTED
633	EACH	CONTROLLER UNIT WITH CABINET, 4 PH, M36, BASE MOUNTED
633	EACH	CONTROLLER UNIT WITH CABINET, 4 PH, P44, BASE MOUNTED
633	EACH	CONTROLLER UNIT WITH CABINET, 8 PH, P44, BASE MOUNTED
633	EACH	CABINET FOUNDATION
633	EACH	CONTROLLER WORK PAD
633	EACH	CONTROLLER ITEM MISC.: INTERSECTION TRANSCEIVER UNIT
633	EACH	UNINTERRUPTIBLE POWER SUPPLY (UPS)
633	EACH	PREEMPTION, AS PER PLAN

* This item is to be used only when directed by the City of Columbus.

CHAPTER 3: TEMPORARY TRAFFIC SIGNALS

3.1 Temporary Traffic Signals

All components of a temporary traffic control system shall be designed in accordance with the requirements of the current version of the [City of Columbus Construction and Material Specifications](#) and current revision of [Supplemental Specification 1100](#), as well as the [Ohio Manual of Uniform Traffic Control Devices](#).

Temporary traffic signals addressed herein are limited to temporary installations used to accommodate construction operations at existing signalized intersections. The use of portable signals or temporary setups to facilitate one-lane, two-way operation is addressed in the [Ohio Manual of Uniform Traffic Control Devices, Section 4D.32](#).

An existing traffic signal, or any part thereof, shall not be taken out of service unless alternate means of traffic control are in place and operational. Unless directed by the City of Columbus, City Engineer or appointed designee existing traffic signals shall not be taken out of service between the hours of:

- 7:00 AM to 9:00 AM Monday through Friday and
- 4:00 PM to 6:00 PM, Monday through Friday.

Additionally, existing traffic signals shall be operational from:

- One hour before sunset to one-half hour after sun rise.

Outages during permitted times shall be controlled by an off-duty uniformed police officer hired by the Contractor. When outages are due to construction operations extending beyond permitted times, temporary signalization or modifications will be required.

Modification to an existing signal installation shall be clearly detailed on separate maintenance of traffic plan sheets. A plan view and details shall be provided for each maintenance of traffic phase. The following components shall be included in the plan, as needed, to accommodate the temporary signals.

- Temporary signal layout, including stations and offsets
- Temporary and existing detection locations
- Temporary span layout with head shifts or modifications
- Temporary wiring

- Temporary phasing
- Temporary field wiring hookup chart
- Temporary timing
- Applicable plan notes

3.2 Temporary Signal Supports

Temporary traffic signal supports may consist of relocated anchor base strain poles, relocated mast arm supports, or the installation of wood poles. When temporary signal supports are used, the following shall be considered when determining a location for pole placement:

- Location of existing and proposed infrastructure.
- The existing mast arm length if the structure is to be relocated.
- A non-active traffic signal head shall not block the view of an active traffic signal head.
- Temporary signal supports should maintain minimum clearances from both existing and proposed signal supports as specified in **Section 4.3.3**.
- The proximity of proposed foundations to existing foundations/supports shall be considered.
- A temporary traffic signal system shall not interfere with the excavation of a proposed pole/cabinet foundation.
- A temporary traffic signal system shall be designed to accommodate all vehicular traffic signal head shifts for each maintenance of traffic phase.

3.2.1 Span Wire Temporary Traffic Signals

If the existing span wire system is to be used in the temporary setup, then the temporary poles shall be located to allow for the transfer of the existing span wire system from the existing strain pole to the temporary pole. The temporary pole shall be positioned to minimize the change in angle of any existing span. The use of a diagonal span is discouraged and requires advanced authorization from the City of Columbus, City Engineer or appointed designee.

When wood poles are proposed, the height and class of the wood pole

shall be specified in the plan. The height specified shall accommodate 12 in. vehicular signal heads and 5-6 percent sag with the attachment height at a minimum of 2 ft. from the top of the pole. Mounting height shall be as specified in **Section 5.2.3**. The maximum span length shall be 160 ft. Wood pole embedment shall be 6 feet, or that specified in the American National Standards Institute's, [ANSI 05.1 Wood Poles – Specifications & Dimensions](#), whichever is greater.

Down guys shall be specified for all temporary wood poles. One down guy per pole shall be used for a layout that contains a maximum of 2 vehicular signal heads per span. Two down guys per pole shall be specified for 3 or more vehicular signal heads per span. Down guys shall be positioned to counteract the resultant force created by the span configuration. Down guys shall be located entirely within the right-of-way.

3.3 Temporary Vehicle Detection

Existing vehicle detection shall be maintained whenever a traffic signal is in operation and not controlled by a uniformed police officer. When construction activities remove or deactivate existing vehicle detection, temporary detection shall be provided. Video detection is the preferred method of temporary detection, but alternate methods of detection may be used with approval from the City of Columbus, City Engineer or appointed designee. Resurfacing projects may be exempt from this requirement with prior approval from the City Engineer or appointee.

All existing vehicle detection shall be shown on the maintenance of traffic plan sheets until removed by the project. Temporary detection shall be in place and operational prior to deactivation of the existing detection.

3.4 Temporary Vehicular Signal Heads

Temporary signal plans should clearly detail the location of the temporary signal heads graphically for each phase of construction. Head placement guidelines are provided in **Section 5.2**.

3.5 Temporary Pedestrian Features

Pedestrian crossings shall be maintained, temporarily relocated or detoured during construction. Complete closure of a pedestrian crossing will require advanced authorization from the City of Columbus, City Engineer or appointed designee.

All active existing and temporary pedestrian crossings shall meet the requirements outlined in **Chapter 6**.

3.6 Temporary Pavement Markings and Signs

All applicable span/mast arm mounted signs shall be clearly identified in the plan. Existing signs in conflict with the proposed temporary traffic control setup shall be covered or temporarily removed.

If temporary signal phasing is used, SIGNAL OPERATION CHANGED signs shall be installed for all directions. See **Section 8.4** for additional information.

When used, a temporary stop line shall be located to allow adequate clearance for turning vehicles and maintain the signal head to stop line spacing requirements outlined in **Section 5.2.2**.

3.7 Temporary Signal Wiring and Controller Cabinets

When temporary traffic signal cabinets are used, base mounted cabinets shall be mounted on a sturdy foundation secure from animals and weather. Pole mounted cabinets shall be positioned to prevent an overhang greater than 4 in. into a pedestrian pathway. When feasible, a temporary traffic signal cabinet/controller shall be located on the same corner as the existing cabinet/controller.

All temporary wiring and conduit systems shall be per the requirements of **Chapter 7** and **Chapter 13**; except, weatherproof cable splicing is permitted to temporarily extend intersection wiring.

CHAPTER 4: SUPPORTS AND FOUNDATIONS

Traffic signal supports and foundations shall be furnished in accordance with Sections 632 and 732 of the current version of the [City of Columbus Construction and Material Specifications](#) and current revision of [Supplemental Specification 1100](#).

Supports and foundations shall also be in accordance with the City of Columbus [Qualified Products List](#).

4.1 Traffic Signal Supports

New traffic signals installed in the City of Columbus should use mast arm supports. The use of standard or decorative supports will be defined by the project scope.

4.1.1 Standard Mast Arm Supports

Standard mast arm supports shall be per [City of Columbus Standard Construction Drawing 4120](#).

The Ohio Department of Transportation's [Traffic Engineering Manual](#), Section 440-3 (Single-Arm Overhead Signal Support) should be referenced when determining mast arm support sizes, with the following exceptions:

- Supports specified for City of Columbus projects should be limited to ODOT designs 4, 12, 13 and 14 or Columbus design C15. The use of supports larger than those listed must be approved by the City of Columbus, City Engineer or appointed designee.
- Pole details shall be per City of Columbus Standard Drawings.
- When evaluating retrofit applications, the existing signal supports may not have been furnished/installed using current design standards. City of Columbus record plan information should be evaluated.
- Maximum design values for C15 poles shall be as listed below:
 - C15: Max. K = 3930
 - Max. design area = 50 sf.
 - Max. Arm Length = 79 ft.

4.1.2 Decorative Mast Arm Supports

Decorative mast arm supports shall be per [City of Columbus Standard Construction Drawing 4121](#).

Decorative mast arm support sizing should be calculated as indicated in **Section 4.1.1**.

4.1.3 Double Mast Arm Supports

Double mast arm supports may only be used when conflicts (right-of-way, utilities, etc.) prevent the use of a single arm layout as detailed in **Section 4.3**. Additionally, double mast arm supports may only be used with prior approval from the City of Columbus, City Engineer or appointed designee.

A design C16 pole shall be used for all double arm supports. Loading and arm length criteria may not be exceeded.

Maximum design values for C16 poles shall be as listed below:

- C16: Max. K = 2367 for each arm
- Max. design area = 48 sf. for each arm
- Max. arm length = 50 ft. for each arm

4.1.4 Strain Poles

When authorized by the City of Columbus, City Engineer or appointed designee, span wire/strain poles may be used for new traffic signal installations. All new span wire applications shall be designed with a bottom tether and accommodate 12 in. signal heads with backplates.

Upgrades or modifications to existing span wire intersections may be designed using span wire and new strain pole supports. When modifying an existing intersection, a bottom tether and backplates will not be required if the designer determines the poles cannot support the additional loading developed with the use of backplates and a bottom tether. If a bottom tether cannot be used, then free swinging aluminum heads without backplates shall be specified.

Strain poles shall be per [City of Columbus Standard Construction Drawing 4170](#).

4.1.4.1 Strain Pole Sizing

Strain poles shall be sized using the Ohio Department of Transportation's [Span Wire Signal Support](#) software (SWISS.) This software is free and can be downloaded from the Ohio Department of Transportation's web site.

SWISS calculations shall be submitted with the signal plans second submittal for each new or modified span wire design. Calculations should be provided for the following three scenarios:

- 3 percent sag (used to determine pole size).
- 4 percent sag (used to establish attachment height).
- 5 percent sag (used to establish pole height). 2 ft. should be added to the 5 percent pole attachment elevation to determine pole height.

Additionally, proposed pole heights shall accommodate traffic signal power, interconnect and bracket arm attachment needs. Clearance from overhead utilities shall also be considered when establishing proposed pole heights.

Poles may be upsized to provide for uniformity at a given intersection, but do not increase the size of the pole by more than one additional size from that calculated using the SWISS software.

4.1.4.2 Span Configuration

Pole-to-pole span wire configuration is the preferred layout for strain pole applications and should be used when feasible. A suspended box or a combination of pole-to-pole/suspended box are acceptable when a pole-to-pole layout will not work. A diagonal span is discouraged and should not be used unless specifically directed by the City of Columbus, City Engineer or appointed designee. If an existing diagonal span is affected by a project, the diagonal span layout shall be replaced with an acceptable span configuration.

Span wire configurations should be developed to locate vehicular signal heads 2 ft. or more outside the extension of the face of curb of the crossing street. Deviation from this design recommendation may be required if the resulting head placement is more than 180 ft. from the stop line.

The SWISS software must indicate that the system is in balance.

4.1.5 Pedestal Supports

Pedestal supports should be used when a mast arm or strain pole cannot be positioned to accommodate the location requirements of a pedestrian pushbutton or pedestrian signal head. Pedestal supports may also be used where a mast arm or strain pole is not available to provide support for supplemental vehicular signal heads or street name signs.

The height of the pedestal shall correlate with the items mounted on the pedestal. Pedestal heights and uses are listed in this section.

4.1.5.1 5 ft. Pedestal

A 5 ft. pedestal should be used when only a pedestrian pushbutton is needed. ([City of Columbus Standard Construction Drawing 4100](#))

4.1.5.2 10.7 ft. Pedestal

A 10.7 ft. pedestal should be used when a pedestrian signal head and/or a pushbutton is needed. ([City of Columbus Standard Construction Drawing 4101](#))

4.1.5.3 12.7 ft. Pedestal

A 12.7 ft. pedestal may be used to support an auxiliary vehicular signal head. ([City of Columbus Standard Construction Drawing 4102](#))

4.1.5.4 17.5 ft. Pedestal

A 17.5 ft. pedestal may be used when a street name sign is mounted on the same pedestal support as another traffic signal control device. A 17.5 ft. pedestal should not be used if its only purpose is to support a street name sign. ([City of Columbus Standard Construction Drawing 4103](#))

4.1.5.5 21 ft. Pedestal

A 21 ft. pedestal may be used to support a vehicular signal head mounted at the same height as vehicular heads mounted on span wire or a mast arm. ([City of Columbus Standard Construction Drawing 4104](#))

4.1.6 Bracket Arms

Bracket arms shall be used to support luminaires, video detectors, and traffic flow monitors. Bracket arms and available sizes are detailed in the [City of Columbus Standard Construction Drawing 4110](#).

4.1.7 Finish Requirements

Signal supports, pedestals, strain poles, bracket arms, anchor bolt covers, and associated mounting hardware shall be coated to match Federal Standard 595B, color number 20040 (Dark Bronze), unless they are

located in the downtown district, a special area district, or as approved by the City of Columbus, Director of the Department of Public Service or appointed designee.

4.1.7.1 Downtown District

Signal supports, pedestals, bracket arms, decorative bases and associated mounting hardware located within the Downtown District shall be coated to match Federal Standard 595B, color number 27038 (Black).

4.1.7.2 Special Area Districts

In designated special districts, signal supports may be coated with a color other than dark bronze or black, as approved by the City of Columbus, Director of the Department of Public Service or appointed designee. These specially colored supports will be supplied (for initial installation and for maintenance) by the Sponsor, “governing authority” of the special district pursuant to a written installation and maintenance agreement.

4.2 Traffic Signal Support Foundations

Pole and pedestal foundation elevations shall be shown to the nearest hundredth of a foot. Foundation elevations shall be listed in the pole orientation chart and/or identified on the curb ramp detail sheets. A minimum of 2 conduits shall enter each foundation for all mast arms, strain poles, and pedestals. For mast arm and strain poles, an unused, capped conduit ell shall be specified with an orientation illustrated in the pole fabrication and orientation chart, see, **Figures 4.2 and 4.4**.

4.2.1 Mast Arm and Strain Pole Foundations

Mast arm and strain pole foundations shall be as detailed on [City of Columbus Standard Construction Drawing 4160](#). When a support structure exceeds standard sizes, a custom foundation may be required. If a pole mounted traffic signal cabinet is used, the minimum number of conduits installed in the foundation shall be (2) - 2 in. and (1) - 3 in.

4.2.2 Pedestal Foundations

Pedestal foundations shall be as detailed on [City of Columbus Standard Construction Drawing 4163](#).

4.3 Traffic Signal Support Placement

Determining the proposed location of a traffic signal support shall be based on the design considerations outlined in **Sections 4.3.1** through **4.3.8**. These elements should also be discussed at the on-site, pre-design meeting.

4.3.1 General Location

A single mast arm structure should be provided for each approach located on the far right side of the approaching leg. Alternate placement must be approved by the City of Columbus, City Engineer or appointed designee.

4.3.2 Clear Zone

Signal supports shall be located in accordance with Section 600.2, (Clear Zone) of the [Location and Design Manual, Volume 1](#), (L&Dv1) (Ohio Department of Transportation). For signal pole placement in a curbed environment, the operational offset outlined in [L&Dv1](#), section 600.2.3 shall be 3 ft. for all traffic signal structures. For signal structures located in an uncurbed environment, the minimum urban lateral offset of 8 ft. shall be maintained. These offsets shall be measured from the edge of the pole skirting/outside edge of base plate or outside edge of the pole, not the center of the pole.

4.3.3 Underground Utility Clearance

Signal pole foundations should provide for 8 ft. of horizontal clearance from adjacent utilities and shall maintain a minimum of 5 ft. of horizontal clearance. Additional clearance requirements for other underground traffic related infrastructure are outlined in **Section 13.2.3**. Clearance distances are measured from the outside edge of the foundation to the nearest edge of the adjacent utility trench. Utility maintenance requirements should also be considered. Excavation for existing utility replacement/repair will not be permitted within 5 ft. of any traffic signal support. Excavation between 5 ft. and 8 ft. will require temporary support (down guy, head guy, base guy, mechanical/crane support, etc.).

4.3.4 Overhead Utility Clearance

Traffic signal support structures shall maintain applicable clearances from other overhead utilities as listed in the [National Electrical Safety Code](#), [National Electrical Code](#) and the regulations published by the [Occupational Safety and Health Administration](#) (OSHA) addressing installation and maintenance tasks.

Table 4.1
Overhead Utility Clearances

	National Electrical Safety Code Reference	National Electrical Code Reference
Vertical Clearance from: ground, road, rail, etc.	Section 232	225.18 230.24 230.26
Clearance between wires on different supporting structures	Section 233	N.A.

Section references listed in Table 4.1 are based on the 2014 National Electrical Code and the 2012 National Electrical Safety Code. However, the designer is required to reference the most recent publication of these documents.

In addition to the requirements outlined in **Table 4.1**, pole placement shall also consider the regulations published in Section 1926 of [29 CFR \(OSHA\) Safety and Health Regulations](#) for Construction.

Traffic signal pole placement shall maintain a minimum clearance of 10 ft. from voltages of 50kV to ground. When additional clearance is required by the [National Electrical Safety Code](#), [National Electrical Code](#) or the regulations published by [OSHA](#), the more restrictive clearance shall be maintained.

4.3.5 Pushbutton Location

When feasible, the mast arm or strain pole should be located to accommodate the pedestrian pushbutton positioned in accordance with **Section 6.2.2**. Should other design considerations discussed herein prevent the mast arm or strain pole from accommodating the pushbutton, a pedestal support shall be used to locate the pushbutton in an acceptable location as defined by [Rules and Regulations, Wheelchair Ramp Requirements](#), published by the City of Columbus.

4.3.6 Elevation

The ground/walk elevation at the location of the proposed support structure should be considered, as elevation differences between the roadway surface and support foundation can affect mast arm, span wire attachment and pole heights.

When a support structure is located within a sidewalk, bike path or multiuse path, the top of the foundation shall be in accordance with [City of](#)

[Columbus Standard Construction Drawing 4161](#).

[City of Columbus Standard Construction Drawing 4160](#) should be referenced when a support structure is located in a non-paved area or adjacent to sidewalk, bike path or multiuse path areas. When the support structure is adjacent to sidewalks, bike paths or multiuse paths, the top of the foundation shall be flush with the paved surface.

4.3.7 Arm Length/Span Configuration

Maximum available mast arm lengths shall be considered when evaluating possible pole locations. In addition, to accommodate the proposed vehicular signal head and signage requirements the following items should be considered.

- The mast arm should extend a minimum of 2 ft. past the last proposed attachment point.
- Mast arms should extend 3.5 ft. past the center of a dedicated left turn lane, to accommodate the future application of a protected only left turn signal head and associated sign.
 - Should this required head placement trigger the need for an increased pole size and if directed by the City of Columbus, City Engineer or appointed designee, a shorter arm satisfying turn on day conditions may be placed on the larger designed vertical shaft.

When strain poles are used, pole locations will affect the span configuration. The span must be in balance per the requirements of **Section 4.1.4**.

4.3.8 Distance from Stop Line

Pole placement and the resulting head location with respect to the distance from the stop line shall conform to the requirements outlined in **Section 5.2.2**.

4.4 Plan Requirements

4.4.1 Pole Identification

Each support shall be identified with a leader and an individual callout. Support callouts shall list the pole identifier, pole type, pedestal size and station/offset to an accuracy of a tenth of a foot. The callout should also list what is on or attached to the pole: (pushbutton, pedestrian signal head, bracket arm, etc.). Support symbols illustrated on the plan shall accurately represent the outside diameter of the foundation.

Supports shall be identified based on their location and type. Support identifier examples are listed below.

Example 1

Pole N/E -1 Combination Signal Support

W/ (1) – Pedestrian Signal Head

W/ (1) – Pedestrian Pushbutton

W/ (1) – 25' Bracket Arm w/(1)-Video Detector

Station 000+00.0, 00.0' RT

Example 2

Pole N/E-2 Pedestrian Pedestal, 10.7'

W/ (2) – Pedestrian Signal Heads

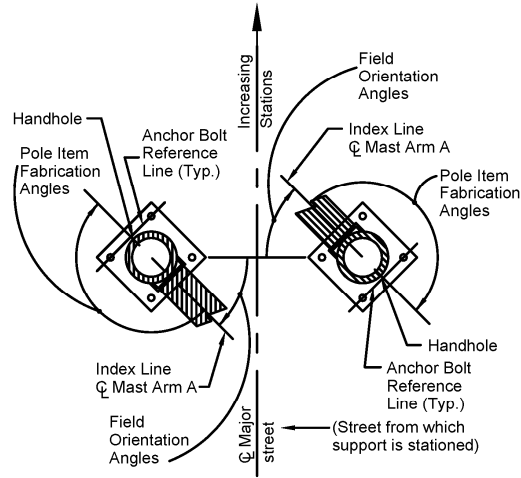
W/ (1) – Pedestrian Pushbutton

Station 00+00.0, 00.0' RT

4.4.2 Pole Orientation and Fabrication Data

A pole fabrication chart, orientation diagram, and elevation view shall be provided detailing the pole identification number, pole color, foundation elevations, pole design number, pole height, span attachments, mast arm lengths, field orientation angles, and pole item installation angles. Sample diagrams are provided in **Figure 4.1** through **Figure 4.4**.

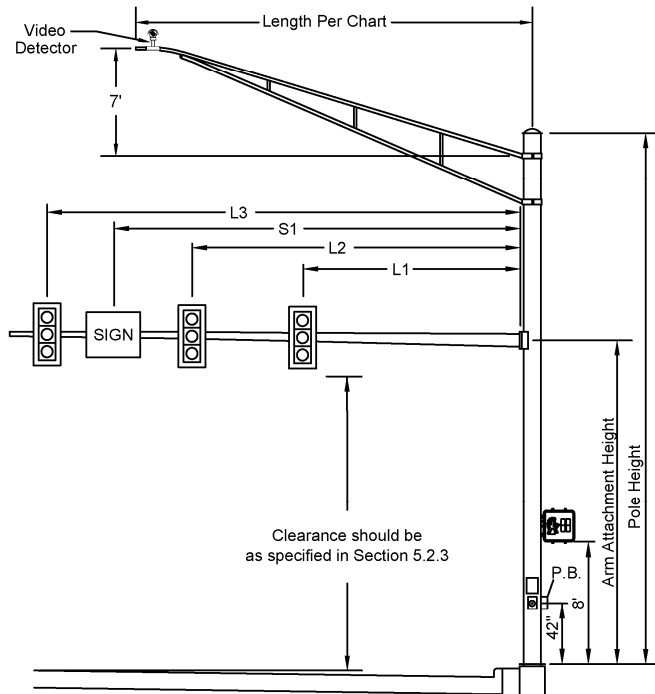
Figure 4.1
Typical Mast Arm Fabrication and Orientation Data



All angles measured clockwise.

Base plate is oriented square to Mast Arm A.
Mast Arm A is the largest arm if the support has two mast arms.

TYPICAL SIGNAL SUPPORT
ORIENTATION DETAIL



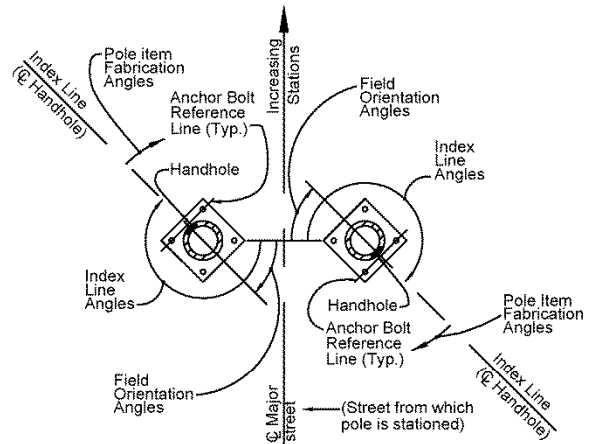
TYPICAL SIGNAL ELEVATION DETAIL

Figure 4.2
Typical Mast Arm Fabrication and Orientation Data Chart

INTERSECTION	SHEET NO.	SUPPORT DESIGNATION	POLE COLOR	POLE DESIGN NO.	POLE HT. (FT.)	ARM LENGTH		OBJECT ATTACHMENT HEIGHT			DISTANCE FROM BUTT PLATE (FT.)			POLE FABRICATION DATA-CLOCKWISE FROM MAST ARM A AT 0 DEGREES					FIELD ORIENTATION					
						MASTARM (FT.)	VIDEO BRACKET ARM (FT.)	MASTARM (FT.)	VIDEO BRACKET ARM (FT.)	VIDEO DETECTOR MOUNTING HEIGHT	L1	L2	S1	VIDEO DETECTOR CAMERA	ANCHOR BOLT REFERENCE LINE	PED SIGNALS	PED. PUSH BUTTON	PUSH BUTTON * *	VIDEO BRACKET ARM	HANDHOLE	INDEX LINE ANGLE MAST ARM A	ANCHOR BOLT REF. LINE	CAPPED FOUNDN ELL 2" DIA.	* FOUNDN ELEVATION
		S/E-1	Black	4	27'	32'	25'	21.5'	26'	33'	12.5'	23.5'	-	24'	90°	264°	255°	255°	0°	180°	0°	90°	0°	723.87
ROAD NAME @	#	S/E-2	Black	Pedestal	10.7'	-	-	-	-	-	-	-	-	-	90°	344°	-	-	-	180°	18°	108°	-	723.61
		S/W-1	Black	4	27'	32.5'	25'	21.5'	26'	33'	14'	24'	-	24'	90°	264°	-	-	0°	180°	90°	0°	723.62	
		S/W-2	Black	Pedestal	10.7'	-	-	-	-	-	-	-	-	-	90°	347°	0°	0°	-	180°	106°	16°	-	724.24
		N/W-1	Black	4	27'	32.5'	25'	21.5'	26'	33'	13'	24'	-	24'	90°	264°	257°	257°	0°	180°	0°	90°	0°	724.55
		N/W-2	Black	Pedestal	10.7'	-	-	-	-	-	-	-	-	-	90°	355°	-	-	-	180°	15°	105°	-	724.73
		N/E-1	Black	Pedestal	10.7'	-	-	-	-	-	-	-	-	-	90°	285°	-	-	-	180°	75°	165°	-	724.37
		N/E-2	Black	14	27'	50.5'	30'	21.5'	26'	33'	32'	42'	37'	29'	90°	8°	5°	5°	0°	180°	0°	90°	0°	723.88

* The designer may list a "See Sheet #" in this column containing the sheet # of the detailed elevations on the Intersection Detail and/or Curb Ramp Detail Sheets.
 ** See Standard Construction Drawing 4230 for sign details.

Figure 4.3
Typical Span Wire Fabrication and Orientation Data



NOTES:
 All angles measured clockwise.
 Index line goes through the center of the handhole.

TYPICAL STRAIN POLE
ORIENTATION DETAIL
 NOT TO SCALE

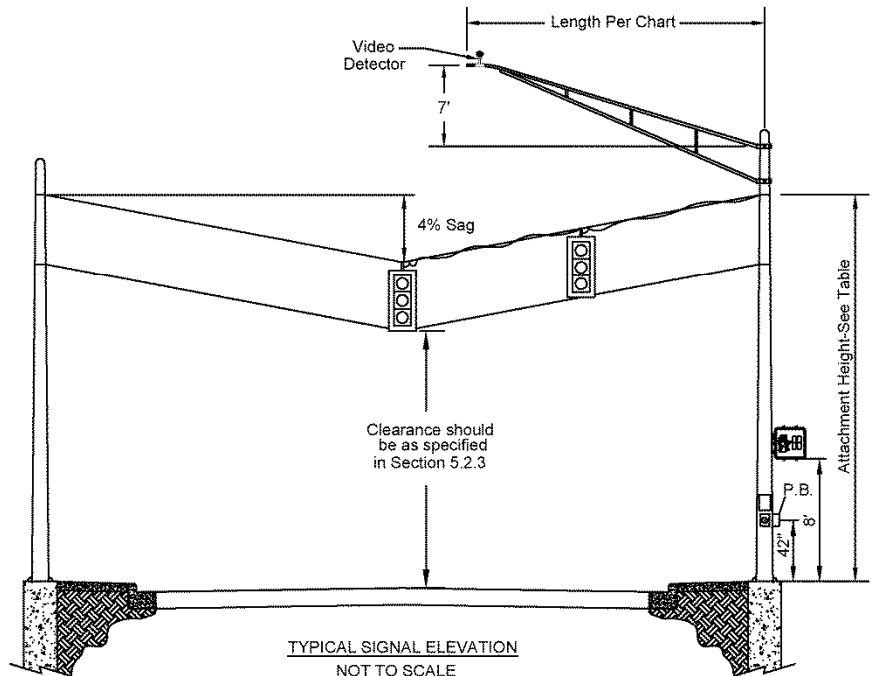


Figure 4.4
Typical Span Wire Fabrication and Orientation Data Chart

INTERSECTION	SHEET NO.	POLE SIZES & SPAN ATTACHMENT HEIGHT						VIDEO BRACKET ARM				POLE FABRICATION DATA CLOCKWISE FROM HANDHOLE AT 0 DEGREES						FIELD ORIENTATION			
		POLE DESIGNATION	POLE COLOR	POLE DESIGN NO.	POLE HT. (FT.)	SPAN ATTACHMENT HT. (FT.)	ATTACHMENT HEIGHT	BRACKET ARM LENGTH	ANCHOR BOLT REF. LINE	2" BHC ANGLE-HT. DEG.-FT.	3" BHC ANGLE-HT. DEG.-FT.	PED. SIGNALS	PED. PUSH BUTTON	PUSH SIGN **	INDEX LINE ANGLE (HANDHOLE)	ANCHOR BOLT REF. LINE	CAPPED FOUNDN. CONDUIT ELL 2" DIA.	FOUNDATION * ELEVATION			
		S/E-1	Dark Bronze	8	32'	28.5'	31'	25'	90°	-	-	-	-	225°	135°	225°	726.09				
		S/E-2	Dark Bronze	PEDESTAL	10.7'	-	-	-	90°	-	203°	180°	180°	148°	58°	-	726.09				
		S/E-3	Dark Bronze	PEDESTAL	10.7'	-	-	-	90°	-	262°	-	-	198°	108°	-	725.95				
ROAD NAME AT	#	N/E-1	Dark Bronze	PEDESTAL	10.7'	-	-	-	90°	-	99°	-	-	171°	81°	-	726.16				
ROAD NAME		N/E-2	Dark Bronze	8	31'	27'	30'	30'	90°	28'-180°	223°	251°	251°	134°	44°	134°	725.45				
		N/W-1	Dark Bronze	PEDESTAL	10.7'	-	-	-	90°	-	105°	90°	90°	242°	152°	-	728.11				
		N/W-2	Dark Bronze	8	32'	28.5'	31'	25'	90°	29'-180°	-	-	-	224°	134°	134°	729.12				
		N/W-3	Dark Bronze	PEDESTAL	10.7'	-	-	-	90°	-	240°	-	-	217°	127°	-	728.66				
		S/W-1	Dark Bronze	EXISTING	EX.	26'	-	-	EX.	EX.	130°/226°	-	-	135°	EX.	-	728.99				
		S/W-2	Dark Bronze	PEDESTAL	5'	-	-	-	90°	-	-	180°	180°	203°	113°	-	727.53				

* The designer may list a "See Sheet #" in this column containing the sheet # of the detailed elevations on the Intersection Detail and/or Curb Ramp Detail Sheets.
 ** See Standard Construction Drawing 4230 for sign details.

CHAPTER 5: VEHICULAR SIGNALS

5.1 Vehicular Signal Head Specifications

5.1.1 Material Specifications

Traffic Signal Heads shall be furnished in accordance with Sections 632 and 732 of the current version of the [City of Columbus Construction and Material Specifications](#) and current revision of [Supplemental Specification 1100](#).

Materials shall also be in accordance with the City of Columbus [Qualified Products List](#).

5.1.2 Vehicular Signal Head Lens Size

Per the requirement of the [Ohio Manual of Uniform Traffic Control Devices](#), 12 in. diameter lenses shall be used in all locations except as noted in section 4D.07 and with prior approval and direction of the City of Columbus, City Engineer or appointed designee.

All arrow indications shall be 12 in. When a signal head configuration contains arrow indications, at a minimum, all signal heads on that approach shall be 12 in.

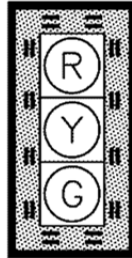
The 4-section head (R-Y-G, G-arrow) shall be an inverted-T configuration for split phase operation and a stacked configuration for lagging left turns.

5.1.3 Vehicular Signal Head Backplates

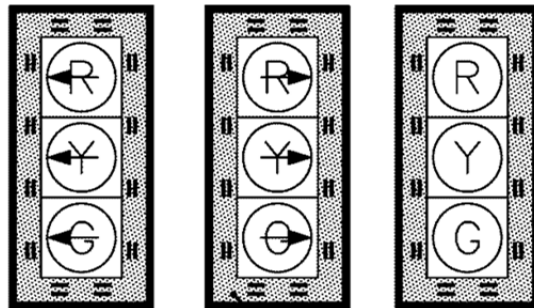
Louvered aluminum backplates shall be used with all newly installed traffic signal heads as per [City of Columbus Standard Construction Drawing 4205](#). Signal heads with backplates shall be rigidly mounted to the mast arm or secured with a bottom tether on span wire installations.

Figure 5.1
Vehicular Traffic Signal Head Configuration

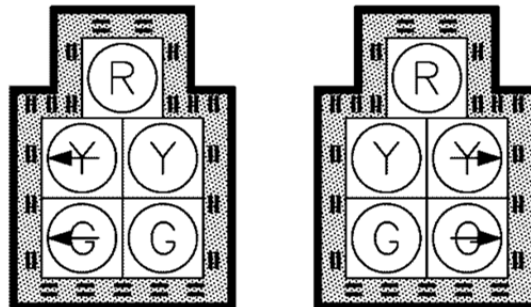
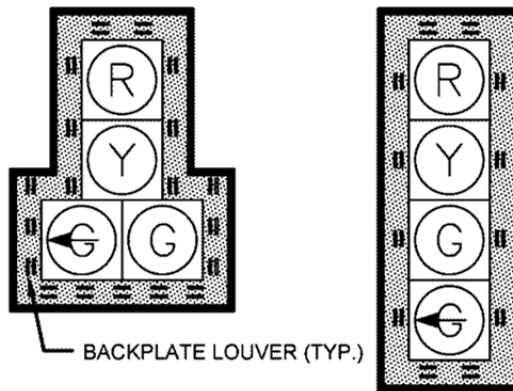
8" LED SIGNAL HEADS WITH BACKPLATES



12" LED SIGNAL HEADS WITH BACKPLATES



BACKPLATE (TYP.)
REFLECTIVE MATERIAL (TYP.)



5.1.4 Signal Head Mounting

Rigid mounted signal heads shall be used with all newly constructed mast arm traffic signals as per [City of Columbus Standard Construction Drawings 4201](#).

When span wire supports are used, a bottom tether shall be specified per [City of Columbus Standard Construction Drawing 4202](#).

5.1.5 Signal Head Color

Signal Heads installed in the City of Columbus shall be Highway Yellow in color (except in specific situations listed in this section).

The entire face, including the top surface of visors shall be Highway Yellow matching federal standard 595B, color #13655. The interior surface of the visor shall be flat black.

5.1.5.1 Special Signal Head Color

In designated special districts, signal heads may have the back of the housing painted a color other than highway yellow; the area and color shall be subject to advanced approval by the City of Columbus, City Engineer or appointed designee. These specially colored heads will be supplied (for initial installation and for maintenance) by the Sponsor, “governing authority” of the special district pursuant to a written installation and maintenance agreement. Colors shall be coordinated with the requirements of **Section 6.1.4.1**.

5.2 Vehicular Signal Head Application

5.2.1 Number of Signal Heads

The total number of heads will depend on the number of approach lanes and shall be in conformance with Section 4D.11 of the [Ohio Manual of Uniform Traffic Control Devices](#).

Signal heads shall be provided as near as practical to the line of the driver’s normal view. Additional heads may be required for approach visibility for skewed/curved geometrics per the [Ohio Manual of Uniform Traffic Control Devices](#) Section 4D.13 and 4D.14.

In addition to the application of primary signal heads as discussed above, supplemental signal heads shall be required when the minimum visibility, distance from the stop line and/or alignment cannot be achieved as

outlined herein.

5.2.2 Distance from Stop Line to Signal Head

Signal head to stop line distances shall be in conformance with the requirements established in Section 4D.13 of the [Ohio Manual of Uniform Traffic Control Devices](#).

5.2.3 Signal Head Mounting Height

The vertical clearance for vehicular signal heads mounted over the roadway shall be measured from the pavement surface to the bottom of the signal housing/backplate:

- Minimum clearance = 16.5 ft.
- Preferred clearance= 17 ft.
- Maximum clearance = 19 ft.

The vertical clearance for vehicular signal heads not mounted over a roadway or driveway shall be measured from the ground surface to the bottom of the signal housing/backplate. For this application, an 8 ft. minimum vertical clearance is permissible, but the design should attempt to adhere to vertical clearance requirements for heads mounted over the roadway.

Mounting height shall be based on mounting the far left signal head so the mast arm is centered on the amber section. The bottom of all other vehicular signal heads mounted on the arm should be vertically aligned with the bottom of the far left head.

Table 5.1 summarizes signal head location guidelines.

5.2.4 Vehicular Signal Head Alignment

Head placement shall be detailed on the signal plan with the use of a span diagram for span wire installations or a pole fabrication chart for mast arm applications. These diagrams/charts are to be as accurate as practicable, round placement values to the nearest tenth of a foot. Values are to reflect the horizontal distance along the span or mast arm. Span wire or mast arm mounted signs and other miscellaneous devices shall also be detailed on the diagram/chart.

The signal faces/heads for any approach shall not be less than 8 ft. apart, 10 ft. is the preferred minimum, measured horizontally between centers of faces/ heads.

Vehicular signal head placements for 3 section (R-Y-G), 4 section (R-Y-G-G arrow) and 5 section heads with left or right turn arrows shall be on an aligned extension of a channelizing line, lane line or the middle of the traveled lane depending on the number of approach lanes and their configuration.

Field conditions may restrict the ability to place signal heads within these guidelines. The designer is required to consider: roadway intersection angle, approach widths, ramp locations, crosswalk layout, intersection radii and underground/overhead utilities.

The signal face shall be perpendicular to the direction of travel. Supplemental signal heads shall be orientated to provide the maximum visibility for approaching traffic.

Table 5.1 Vehicular Signal Head Location Guidelines

	Minimum ft.	Preferred ft.	Maximum ft.
Spacing between adjacent heads	8	10 to 12	N.A.
Clearance above roadway	16.5	17	19
Distance from Stop Line	40	75 to 130	180

5.2.4.1 Vehicular Signal Head Alignment - Through Lanes

General vehicular signal head placement guidelines are outlined in **Figures 5.2** through **5.31**. These figures represent general conditions, all head placement shall be in conformance with the requirements published in the [Ohio Manual of Uniform Traffic Control Devices](#).

5.2.4.2 Vehicular Signal Head Alignment - Turn Lanes

Arrows shall be used for protected only movements not in conflict with any other signal indication including walk signals. Flashing yellow arrows shall not be used.

General vehicular signal head placement guidelines (R-arrow, Y-arrow & G-arrow) for protected only left or right turn movements should be as follows. These guidelines represent general conditions, all head placement shall be in conformance with the requirements published in the [Ohio Manual of Uniform Traffic Control Devices](#).

Single Left Turn Lane

The signal head shall be located 1.5 ft. to the left of the lane centerline. R10-5-30 sign is to be placed 1.5 ft. to the right of the lane centerline to achieve 3 ft. separation between the center of the sign and the center of the head. When applied to 10 ft., lanes dimensions may vary to maintain a minimum of 8 ft. head separation.

Single Right Turn Lane

The signal head shall be located 1.5 ft. to the right of the lane centerline. An R10-5-30 (if arrows are used) or R10-10-30 (if solid red ball is used) sign shall be placed 1.5 ft. to the left of the lane centerline to achieve 3 ft. separation between the center of the sign and the center of the head. When applied to 10 ft. lanes, dimensions may vary to maintain a minimum of 8 ft. head separation.

Dual Left Turn Lanes

Head placement (R-arrow, Y-arrow & G-arrow) for a dual protected only left turn movement shall be on the lane centerlines. An R10-5-30 sign is to be placed midway between the signal heads.

Figure 5.2
Vehicular Signal Head Alignment
Single Approach Lane
Configuration A

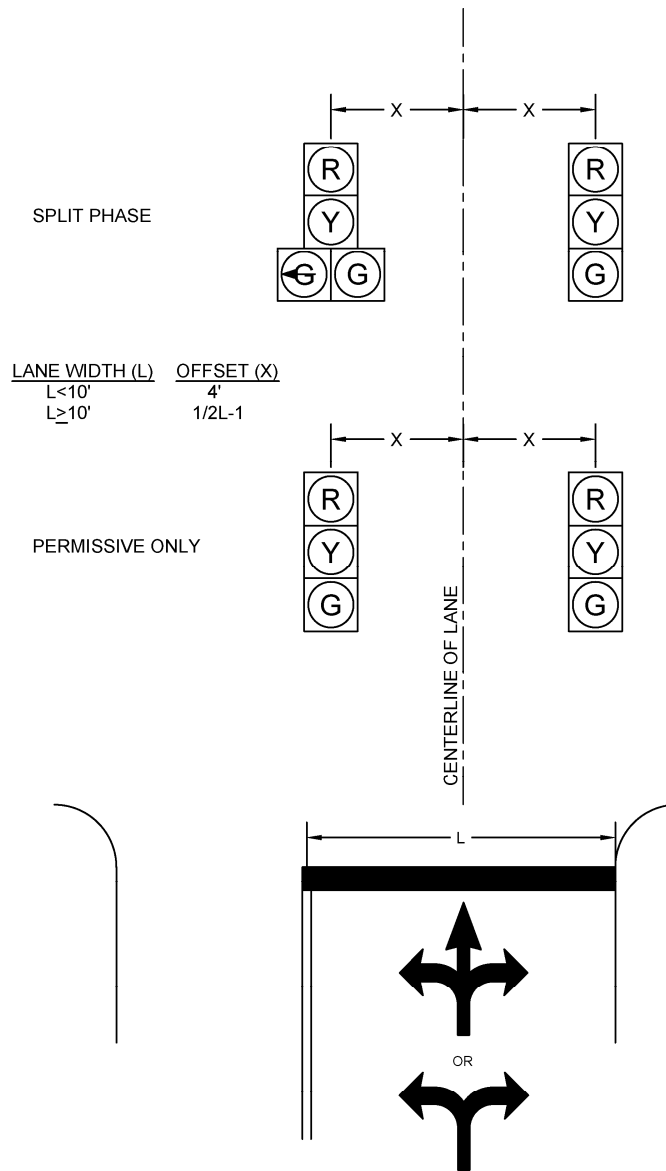


Figure 5.3
Vehicular Signal Head Alignment
Two Approach Lanes
Configuration A

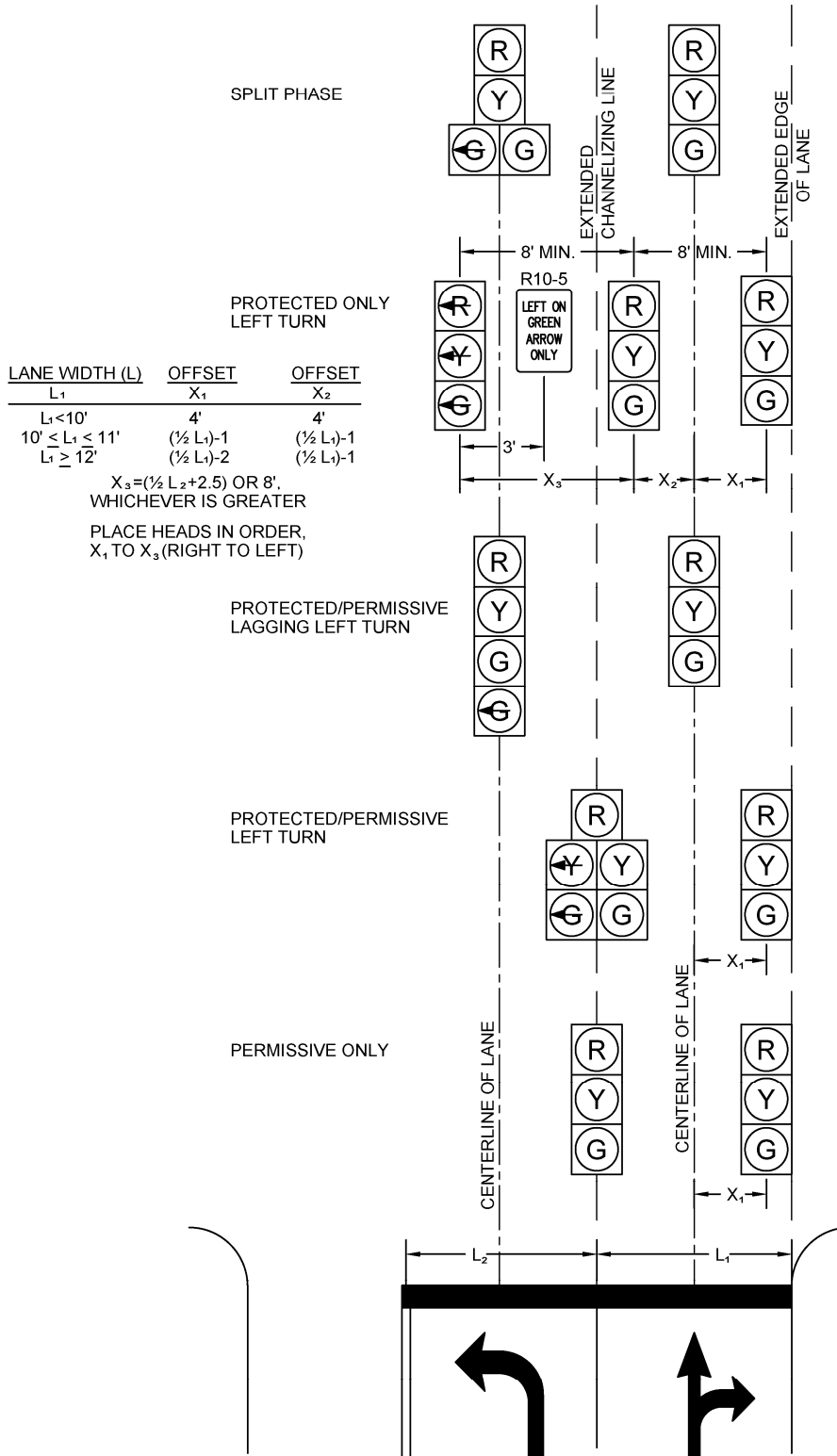


Figure 5.4
Vehicular Signal Head Alignment
Two Approach Lanes
Configuration B

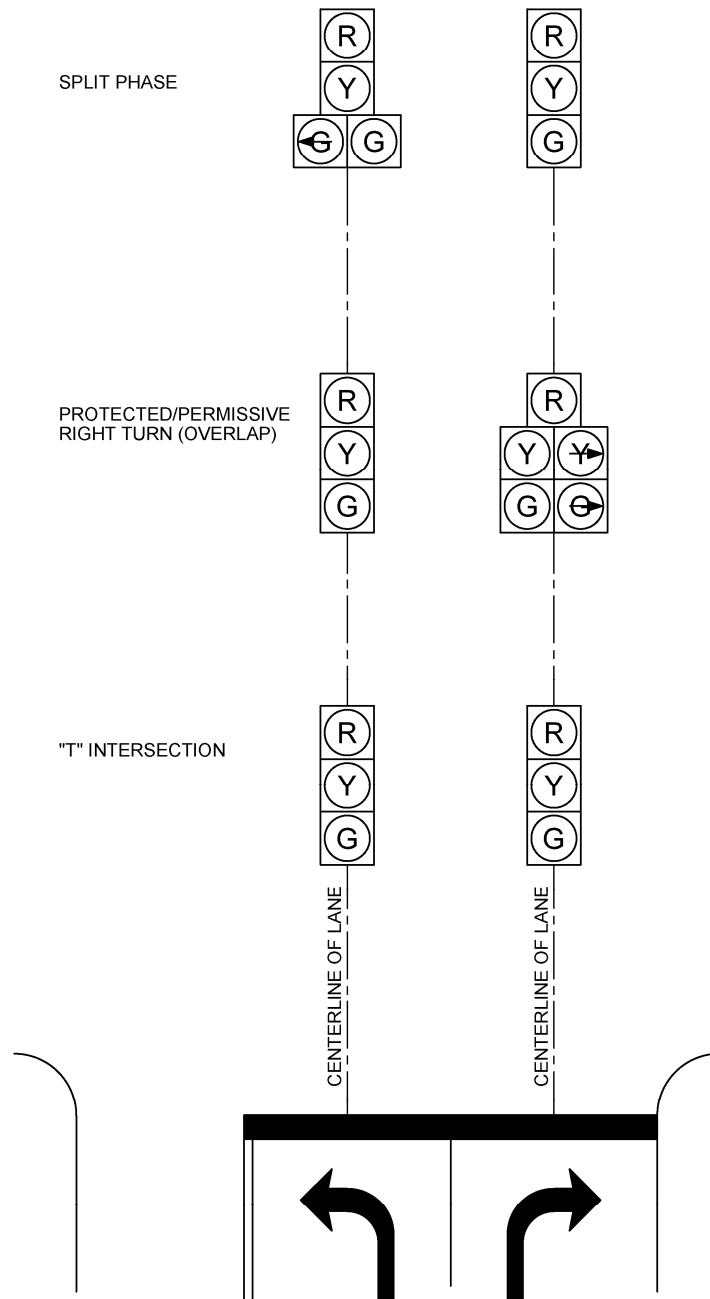


Figure 5.5
Vehicular Signal Head Alignment
Two Approach Lanes
Configuration C

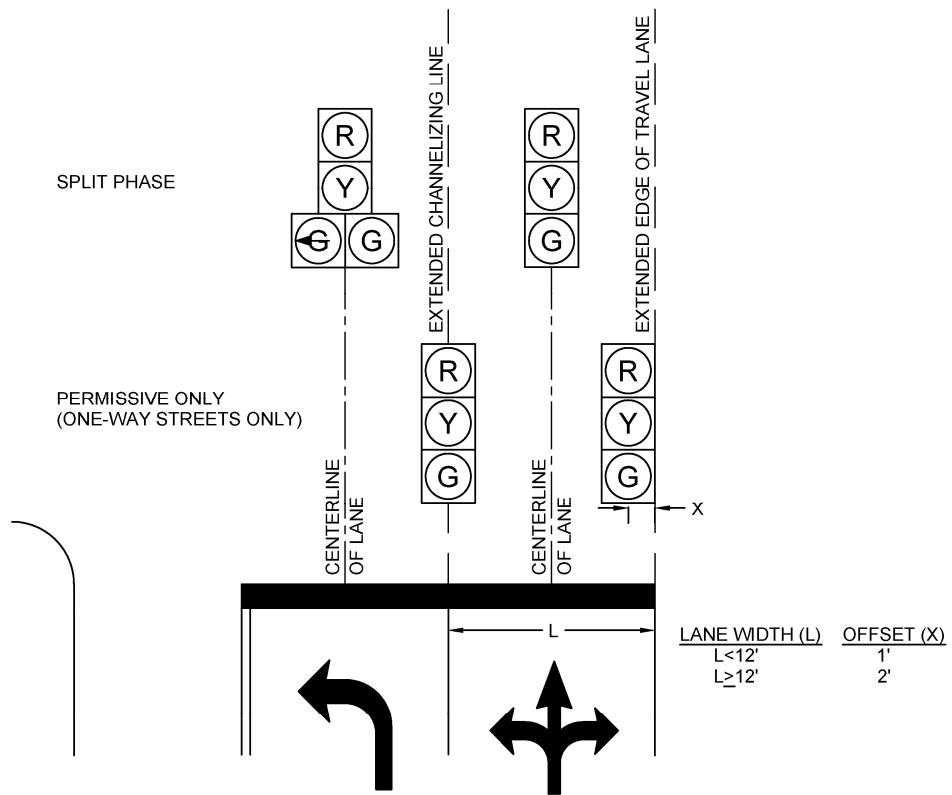


Figure 5.6
Vehicular Signal Head Alignment
Two Approach Lanes
Configuration D

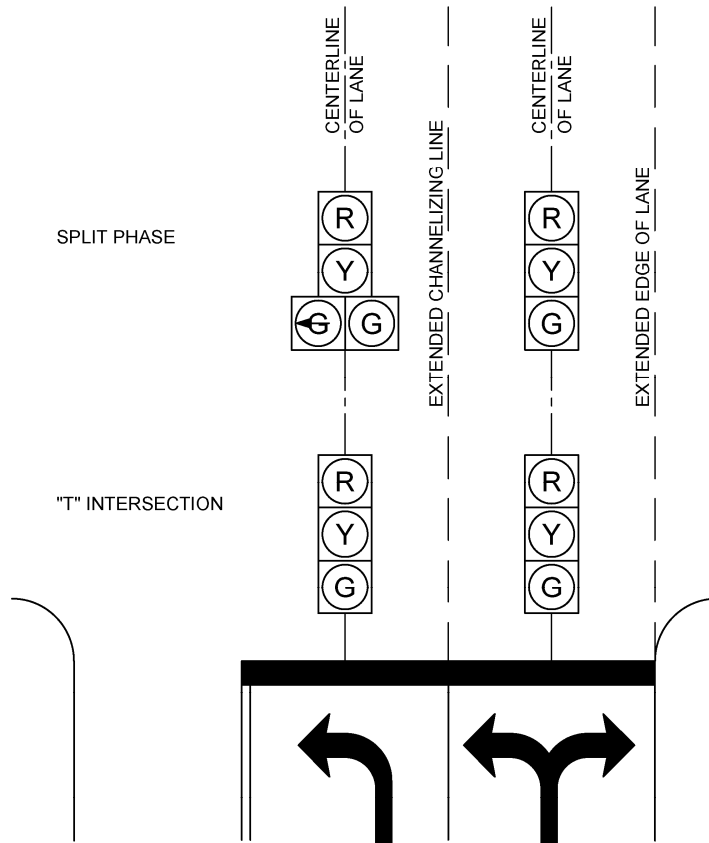


Figure 5.7
Vehicular Signal Head Alignment
Two Approach Lanes
Configuration E

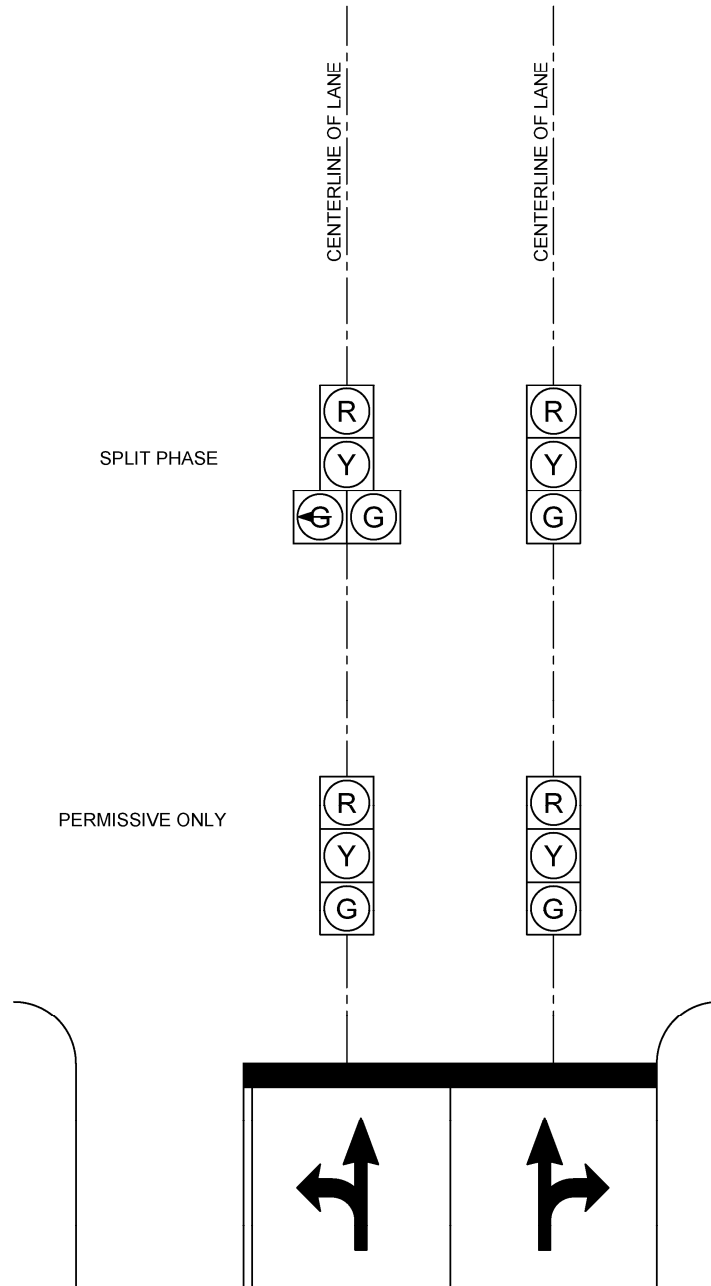


Figure 5.8
Vehicular Signal Head Alignment
Two Approach Lanes
Configuration F

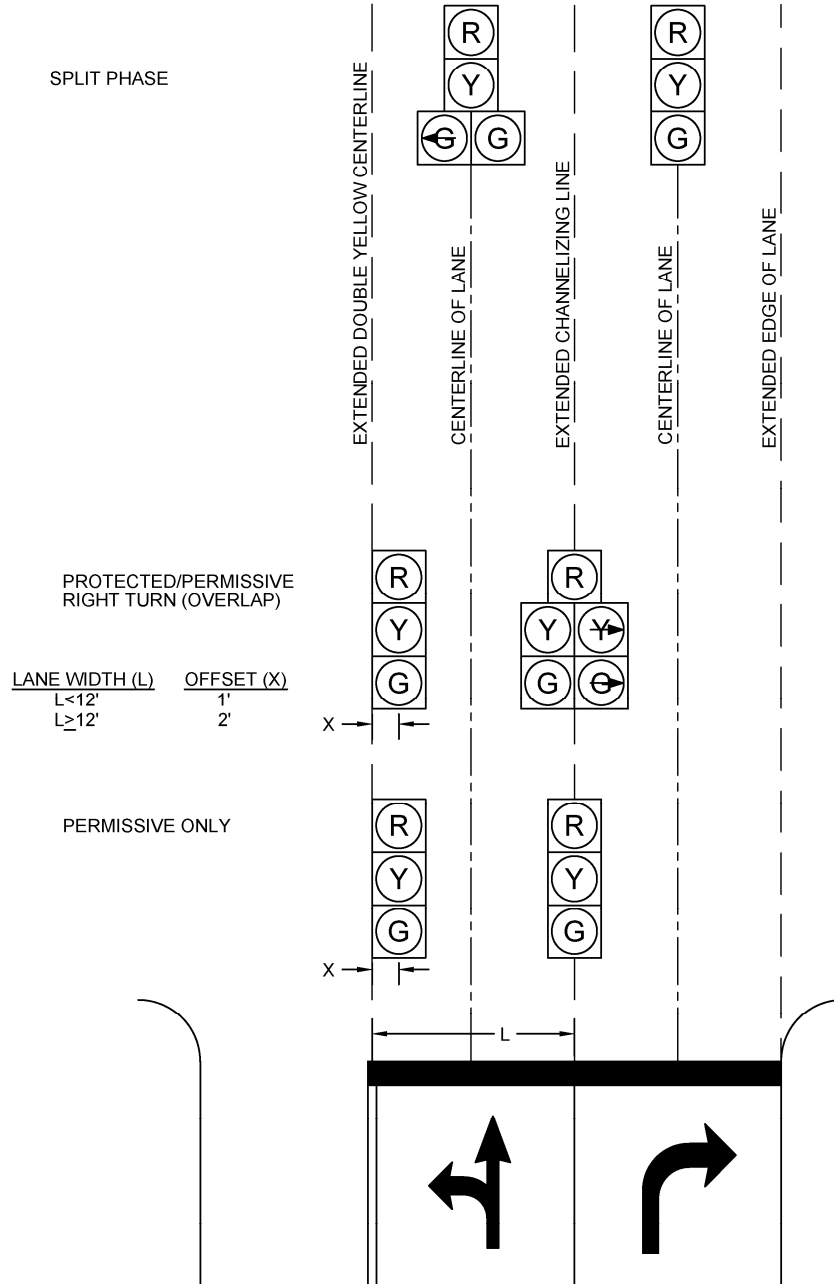


Figure 5.9
Vehicular Signal Head Alignment
Two Approach Lanes
Configuration G

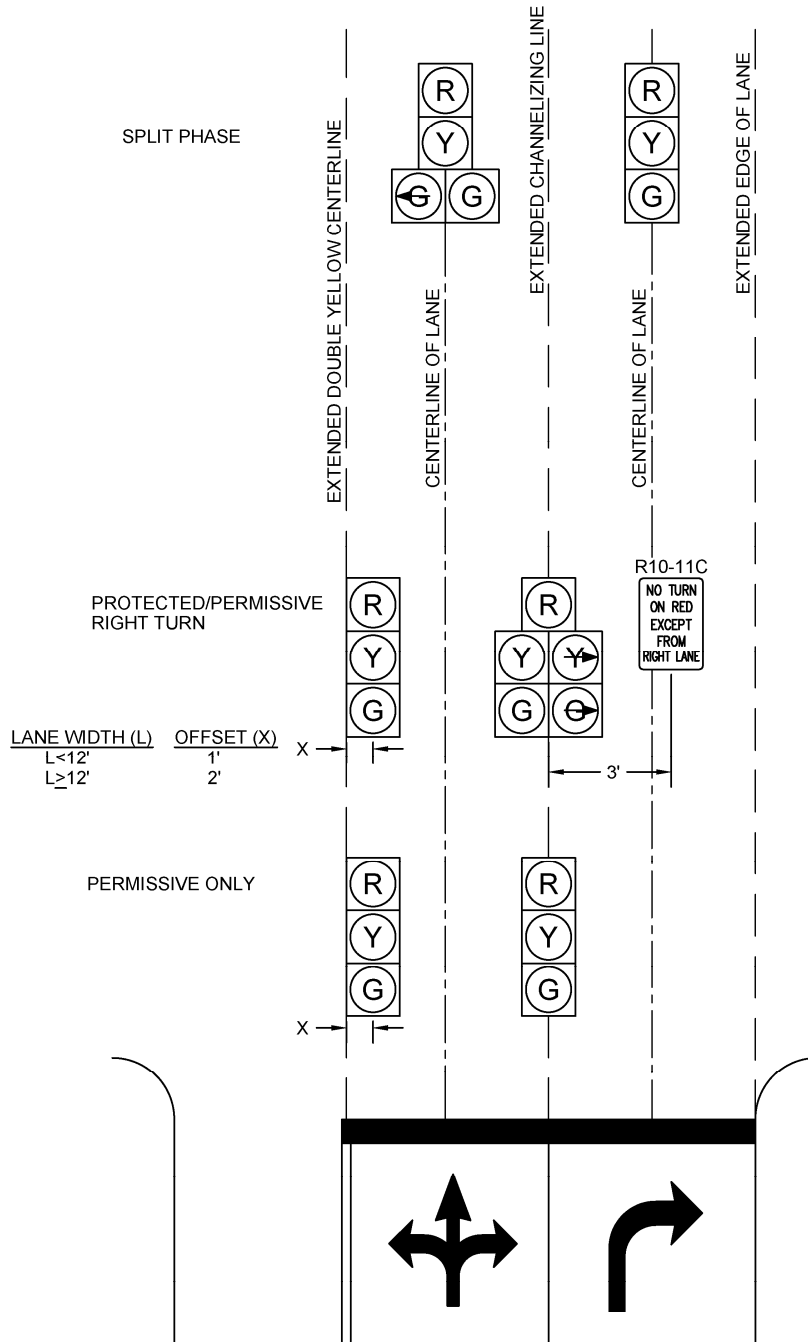


Figure 5.10
Vehicular Signal Head Alignment
Two Approach Lanes
Configuration H

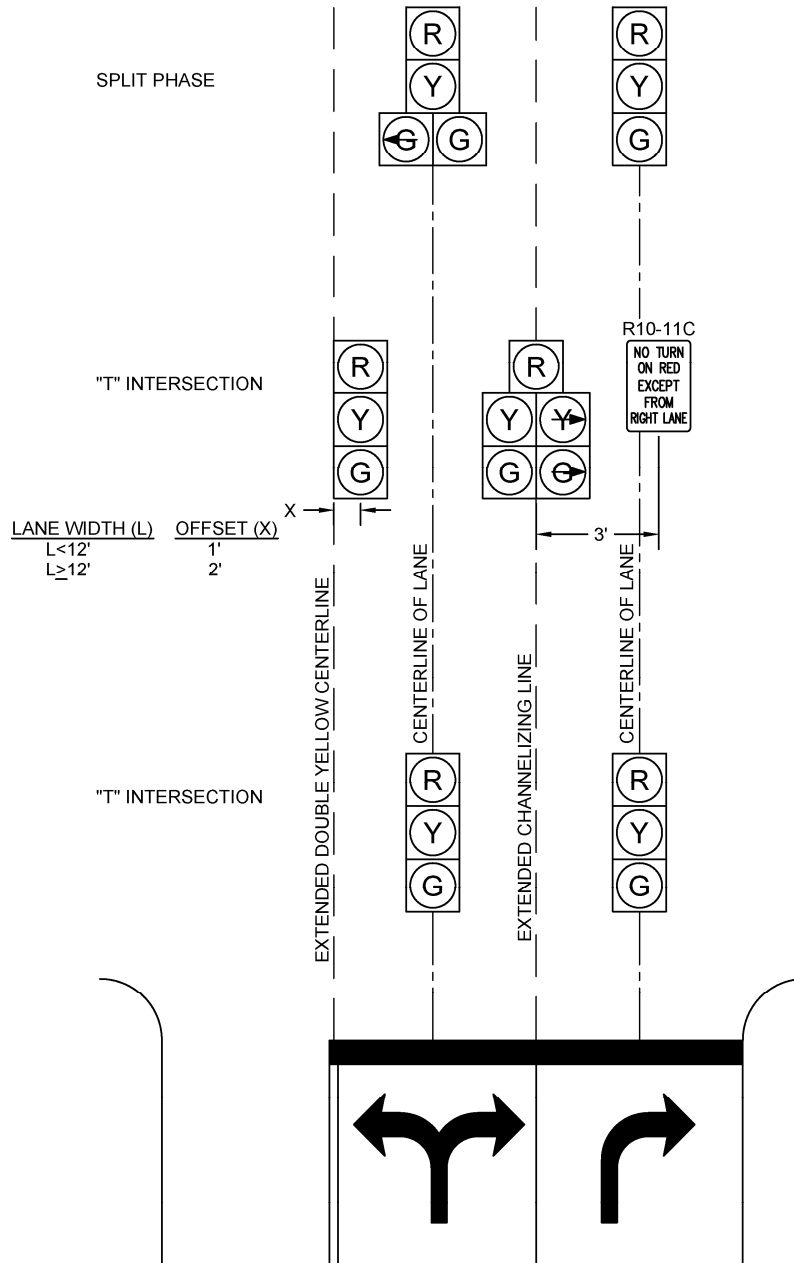


Figure 5.11
Vehicular Signal Head Alignment
Three Approach Lanes
Configuration A

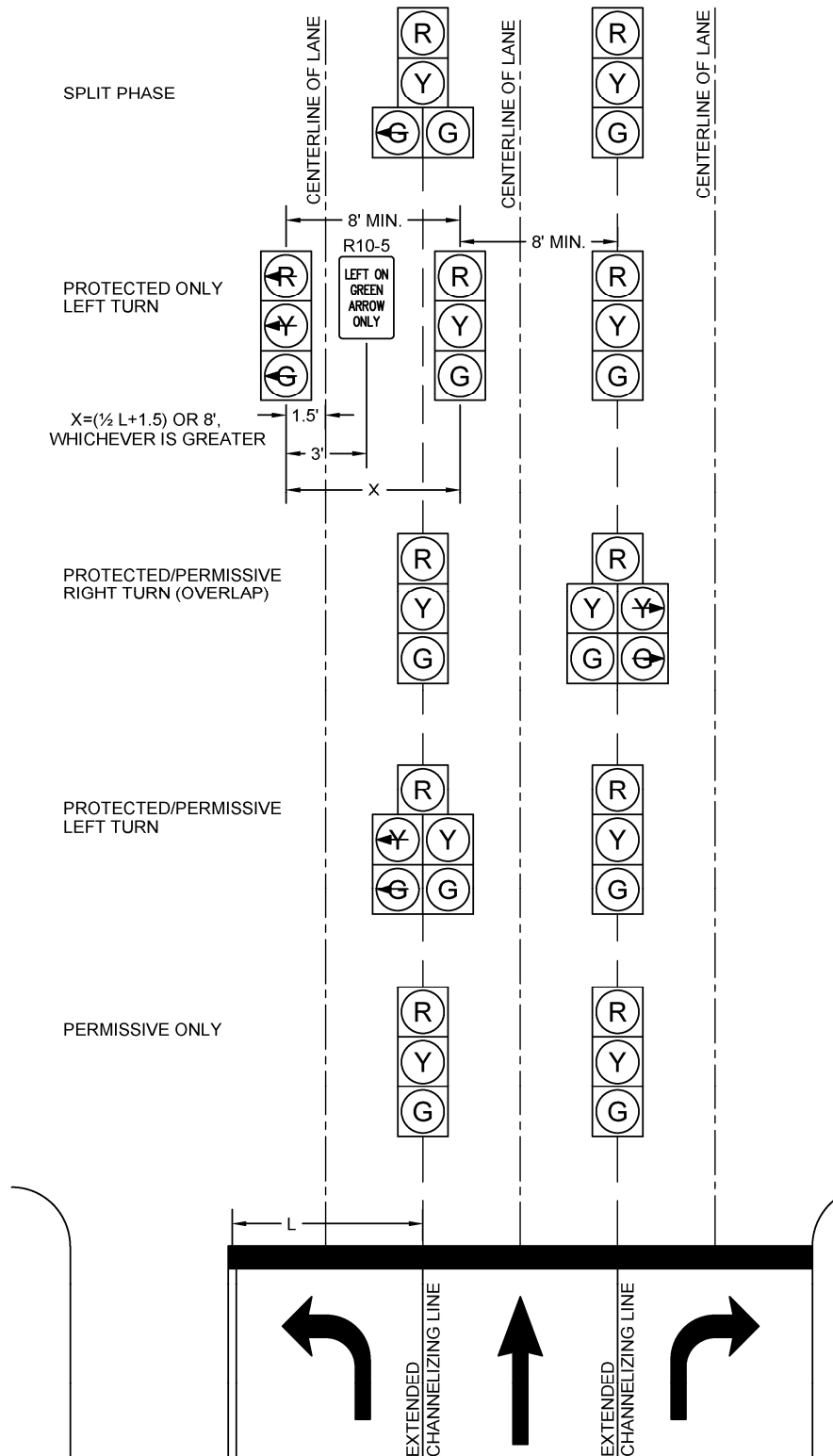


Figure 5.12
Vehicular Signal Head Alignment
Three Approach Lanes
Configuration B

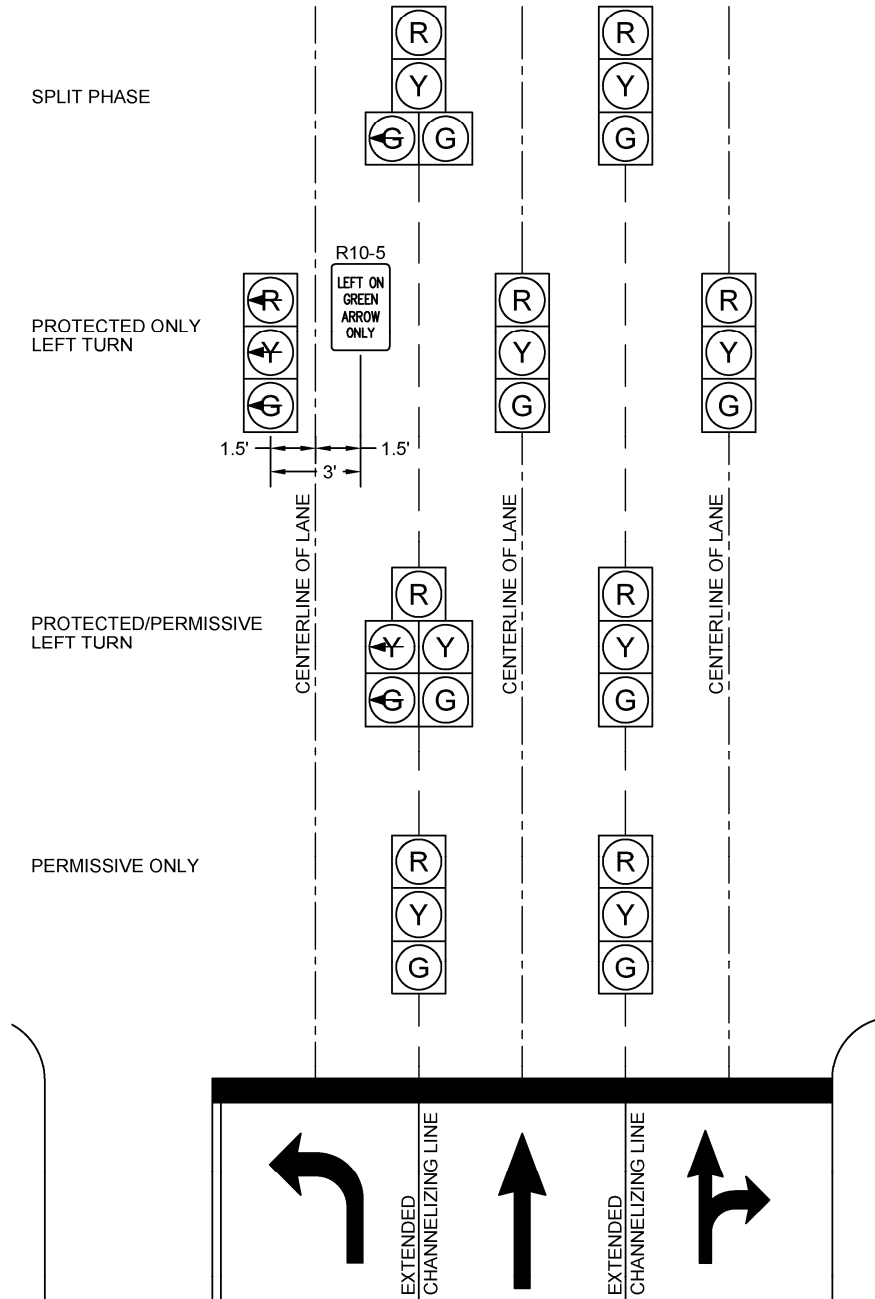


Figure 5.13
Vehicular Signal Head Alignment
Three Approach Lanes
Configuration C

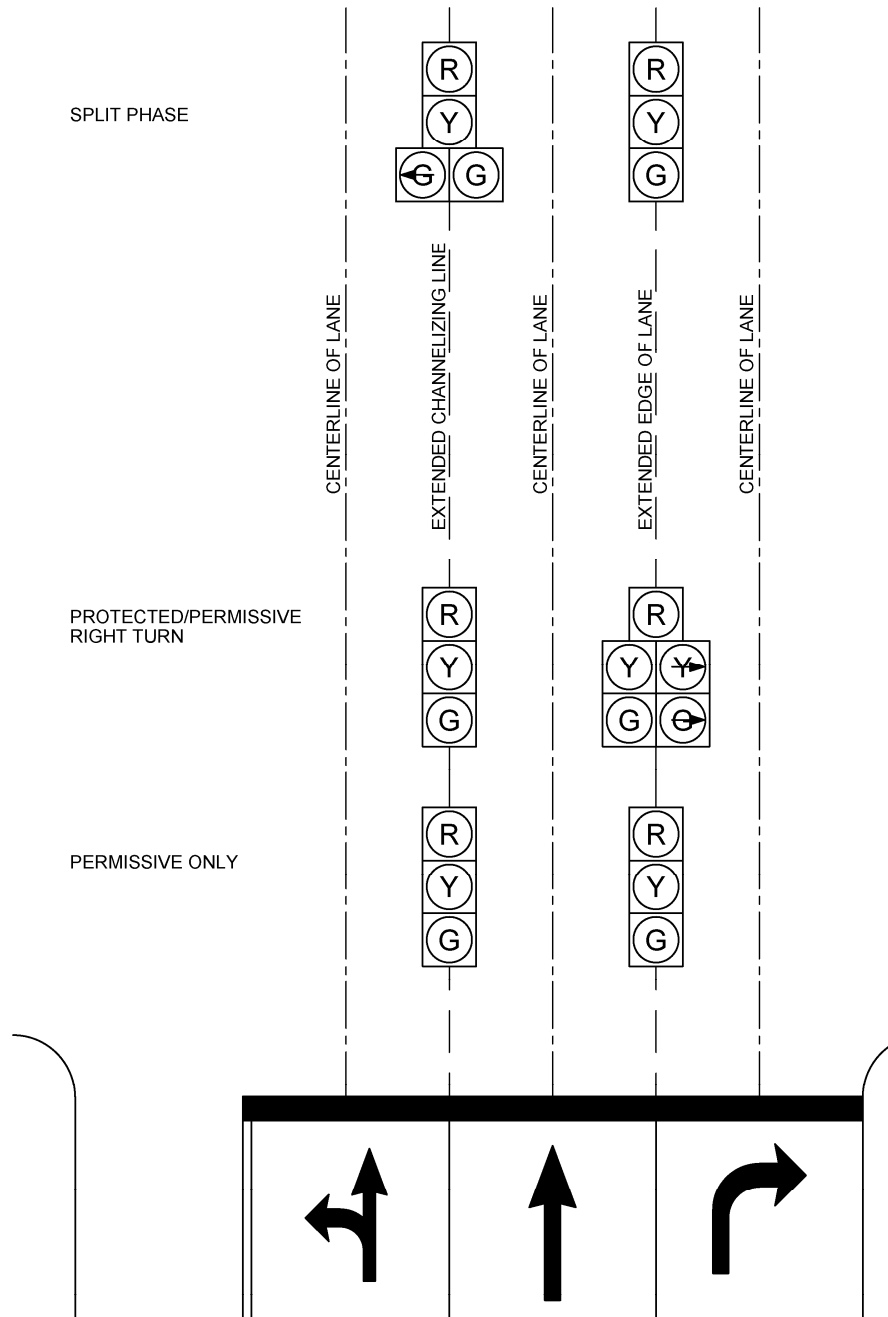


Figure 5.14
Vehicular Signal Head Alignment
Three Approach Lanes
Configuration D

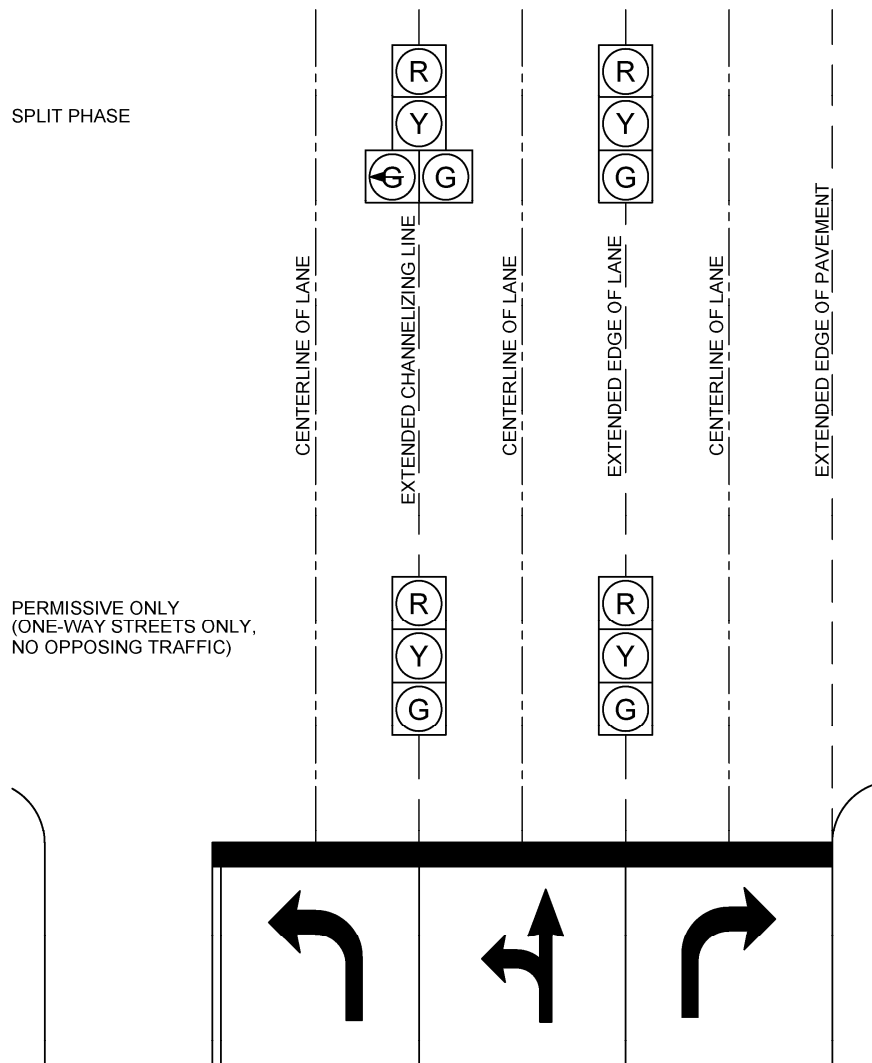


Figure 5.15
Vehicular Signal Head Alignment
Three Approach Lanes
Configuration E

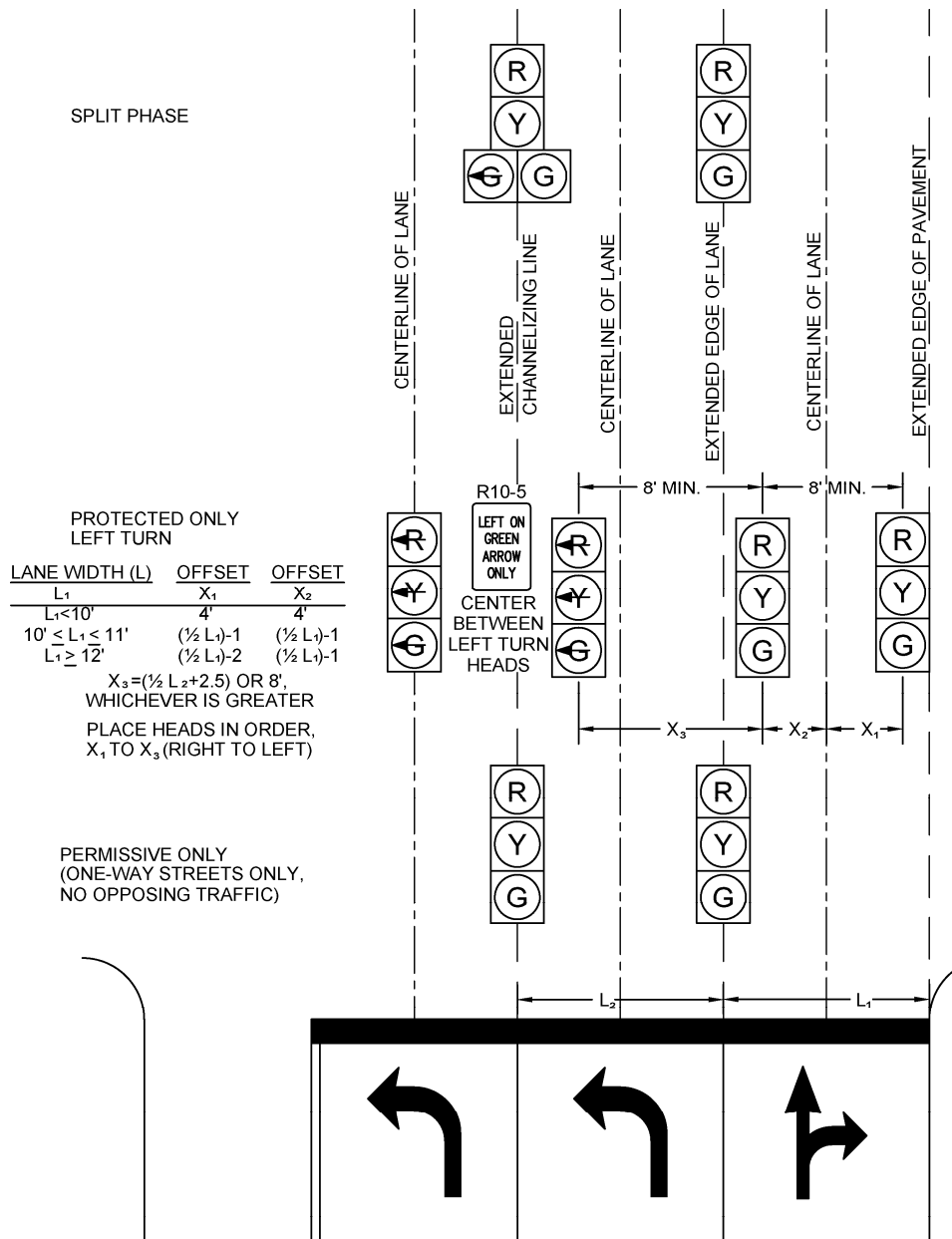


Figure 5.16
Vehicular Signal Head Alignment
Three Approach Lanes
Configuration F

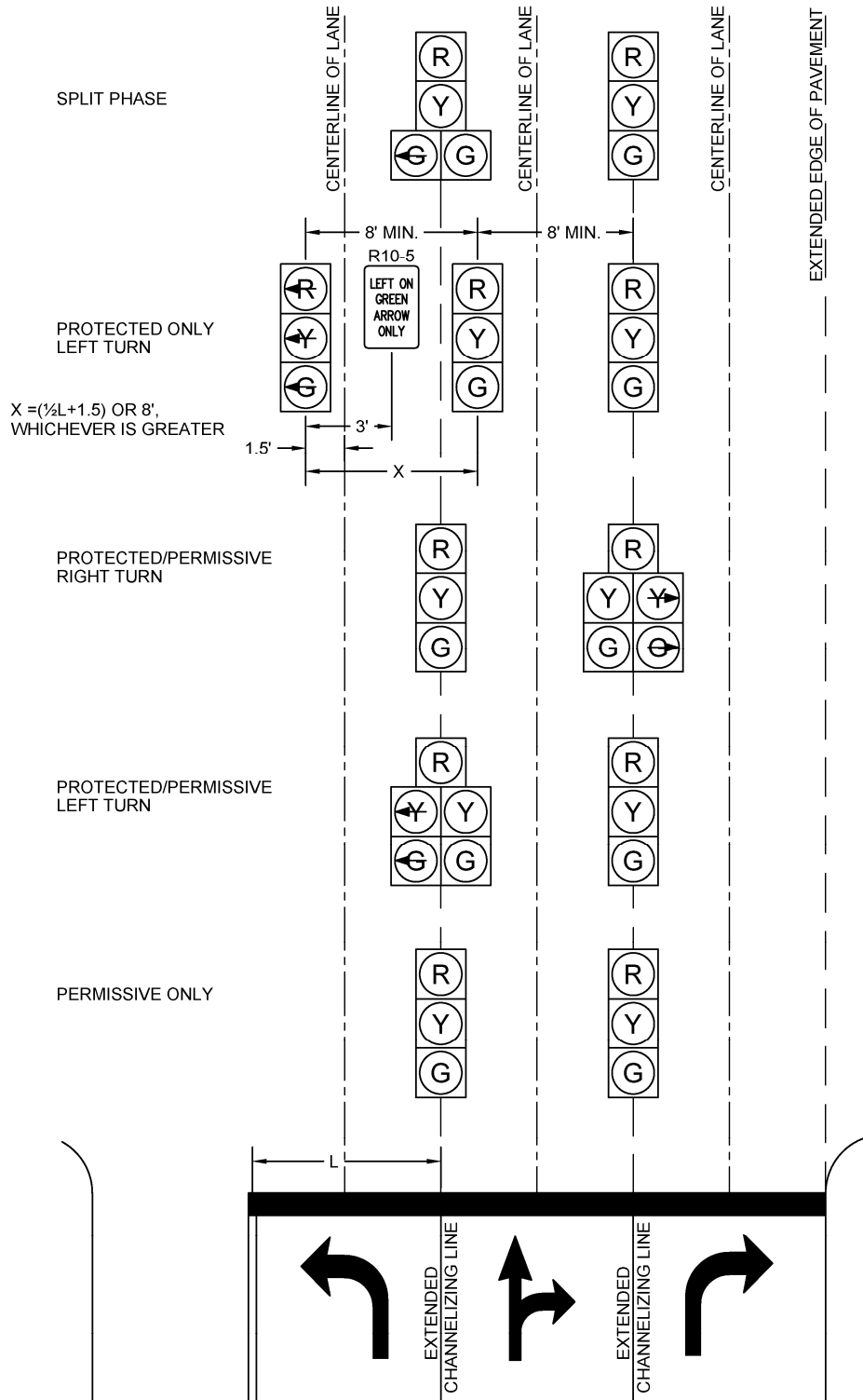


Figure 5.17
Vehicular Signal Head Alignment
Three Approach Lanes
Configuration G

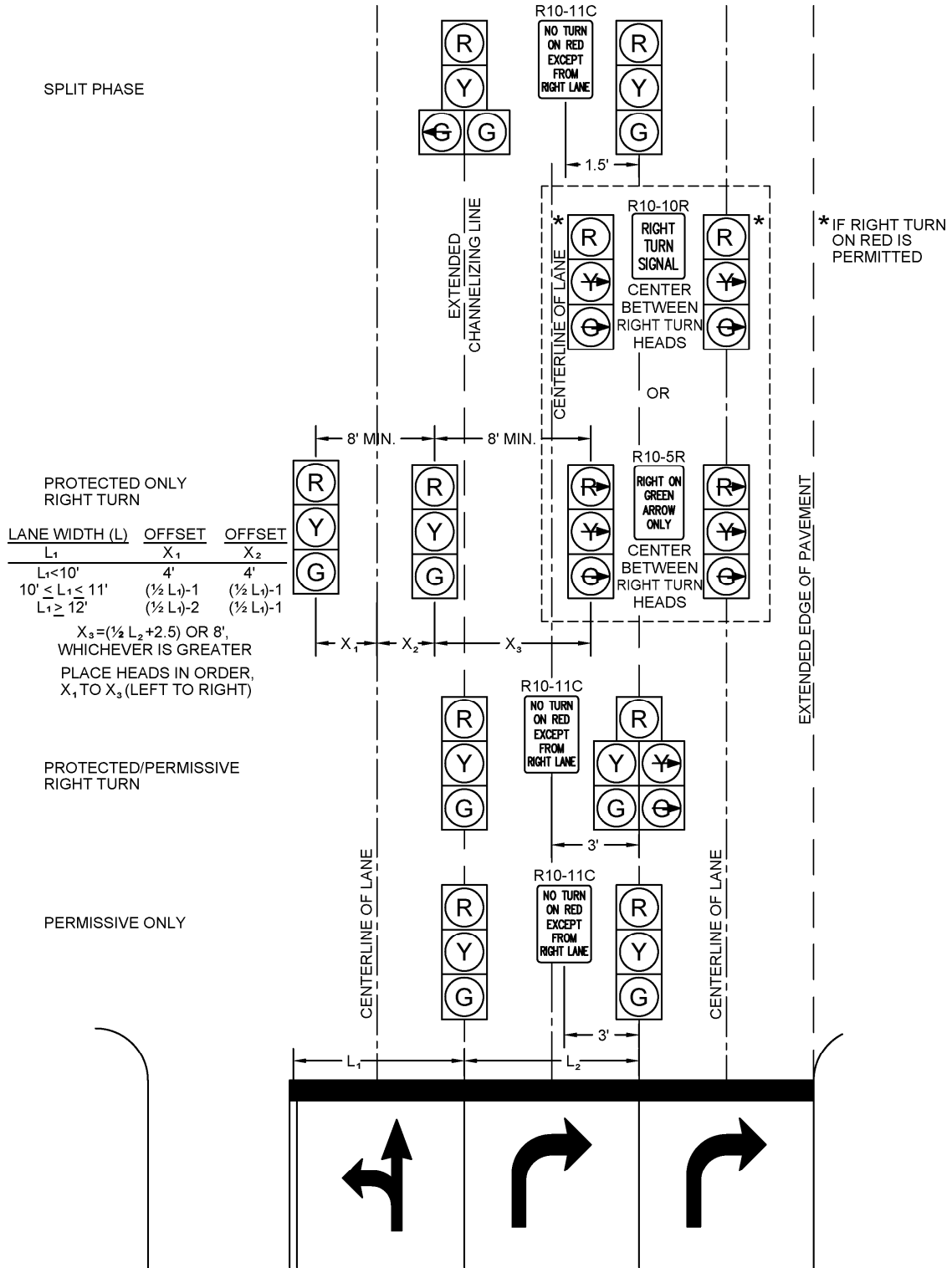


Figure 5.18
Vehicular Signal Head Alignment
Three Approach Lanes
Configuration H

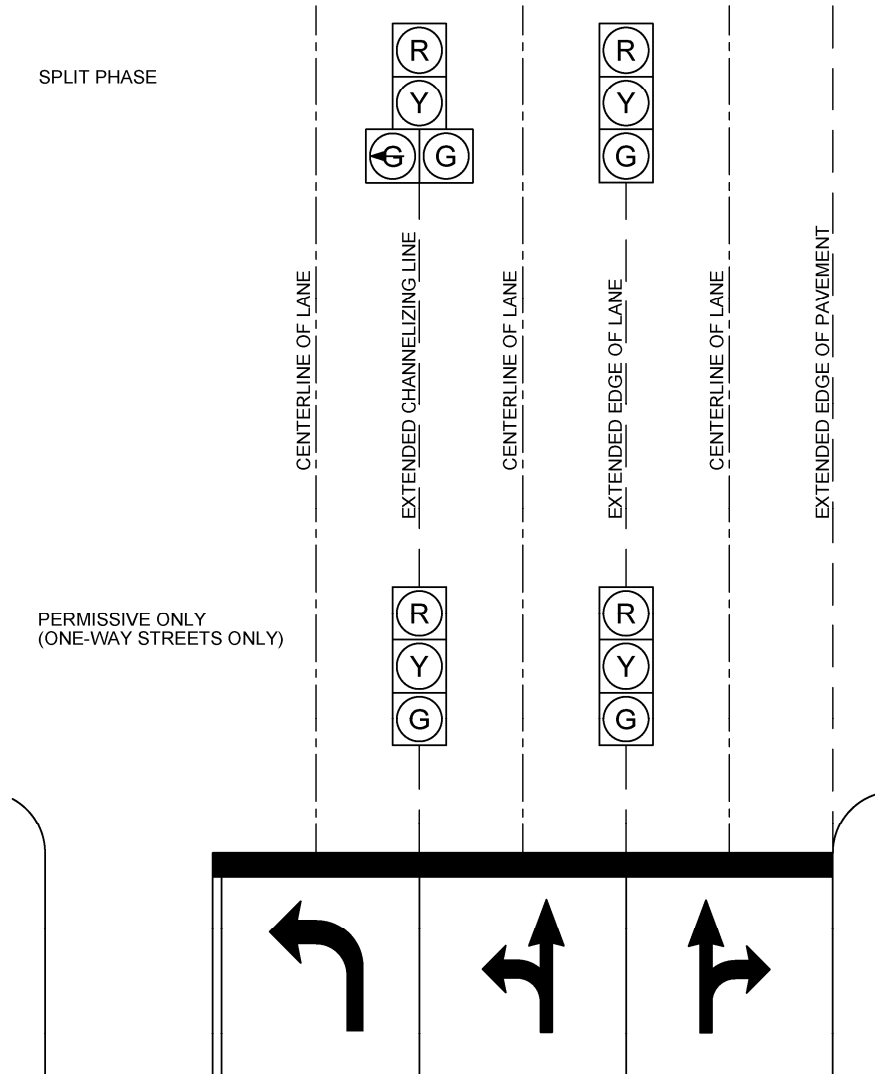


Figure 5.19
Vehicular Signal Head Alignment
Three Approach Lanes
Configuration I

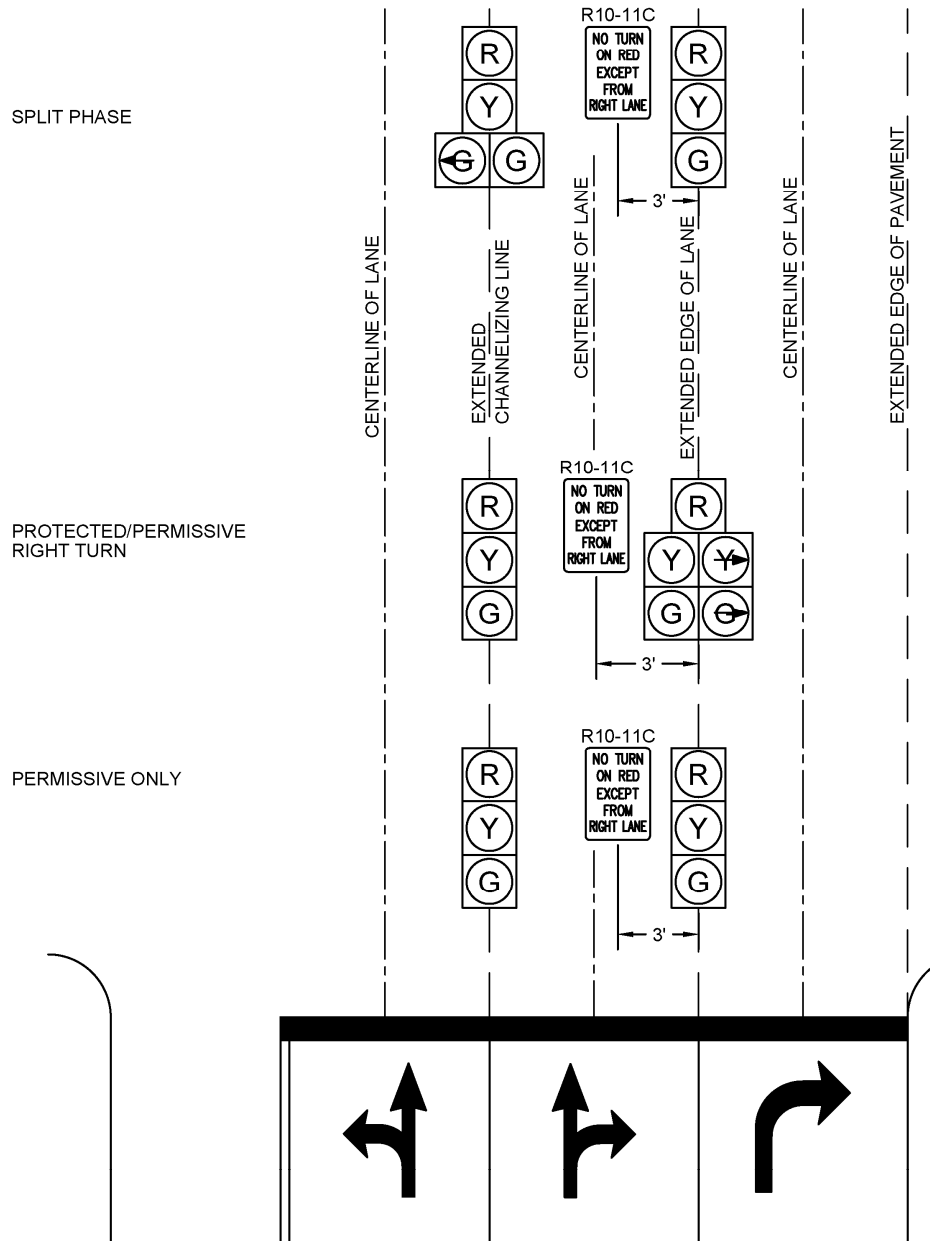


Figure 5.20
Vehicular Signal Head Alignment
Four Approach Lanes
Configuration A

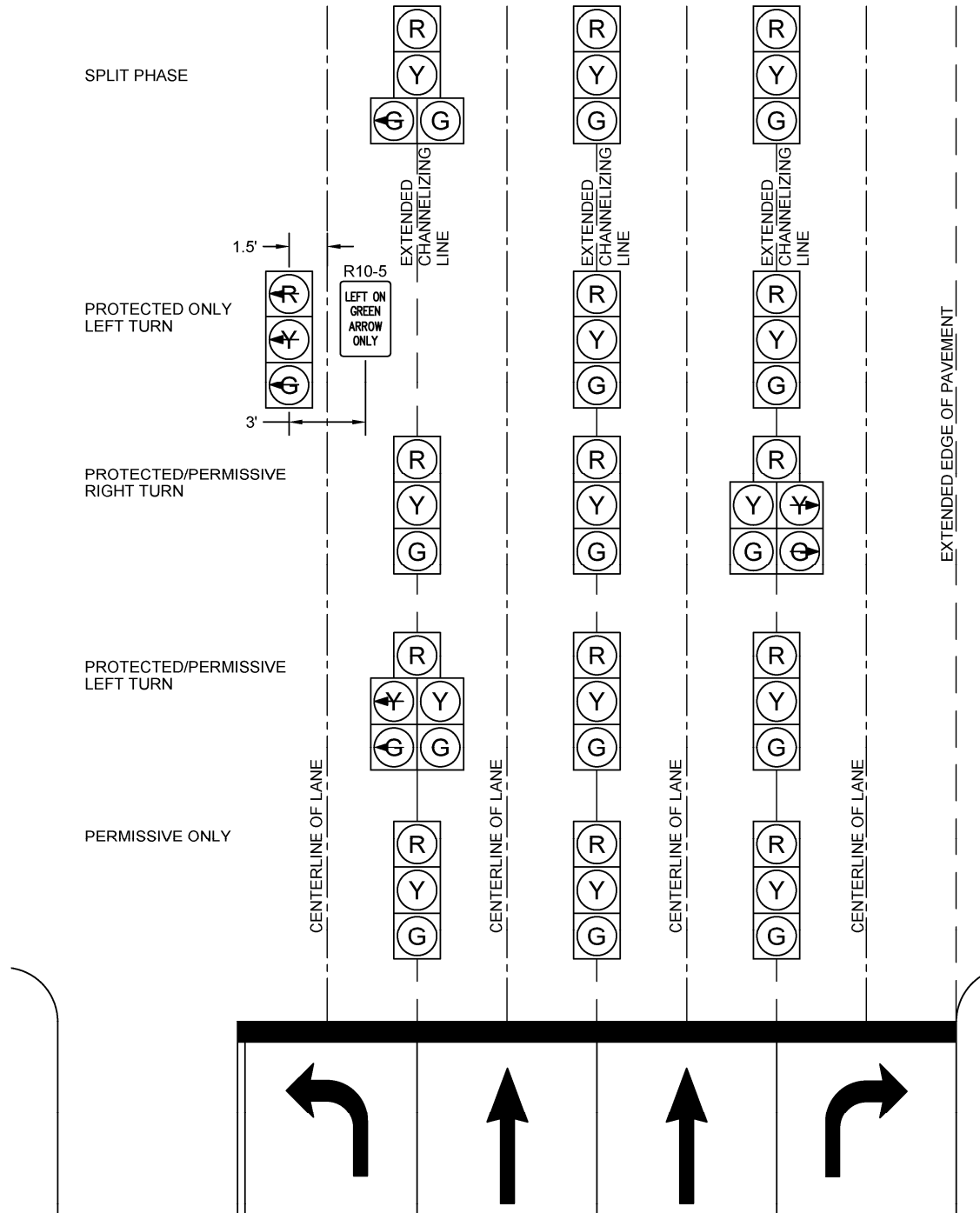
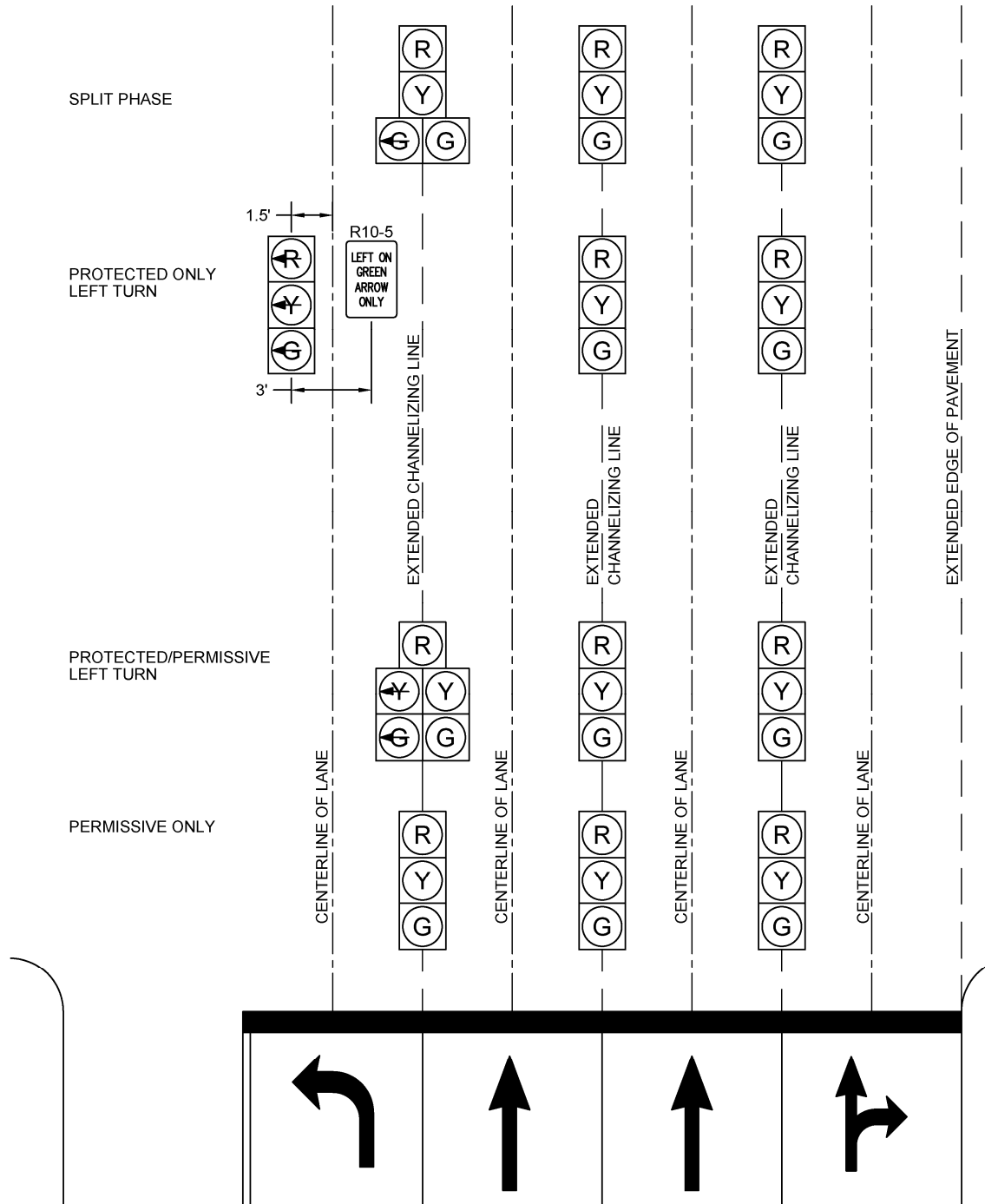


Figure 5.21
Vehicular Signal Head Alignment
Four Approach Lanes
Configuration B
 (Posted Speed < 45 MPH)*



* For posted speeds 45 MPH or higher, see OMUTCD Section 4D.11

Figure 5.22
Vehicular Signal Head Alignment
Four Approach Lanes
Configuration C

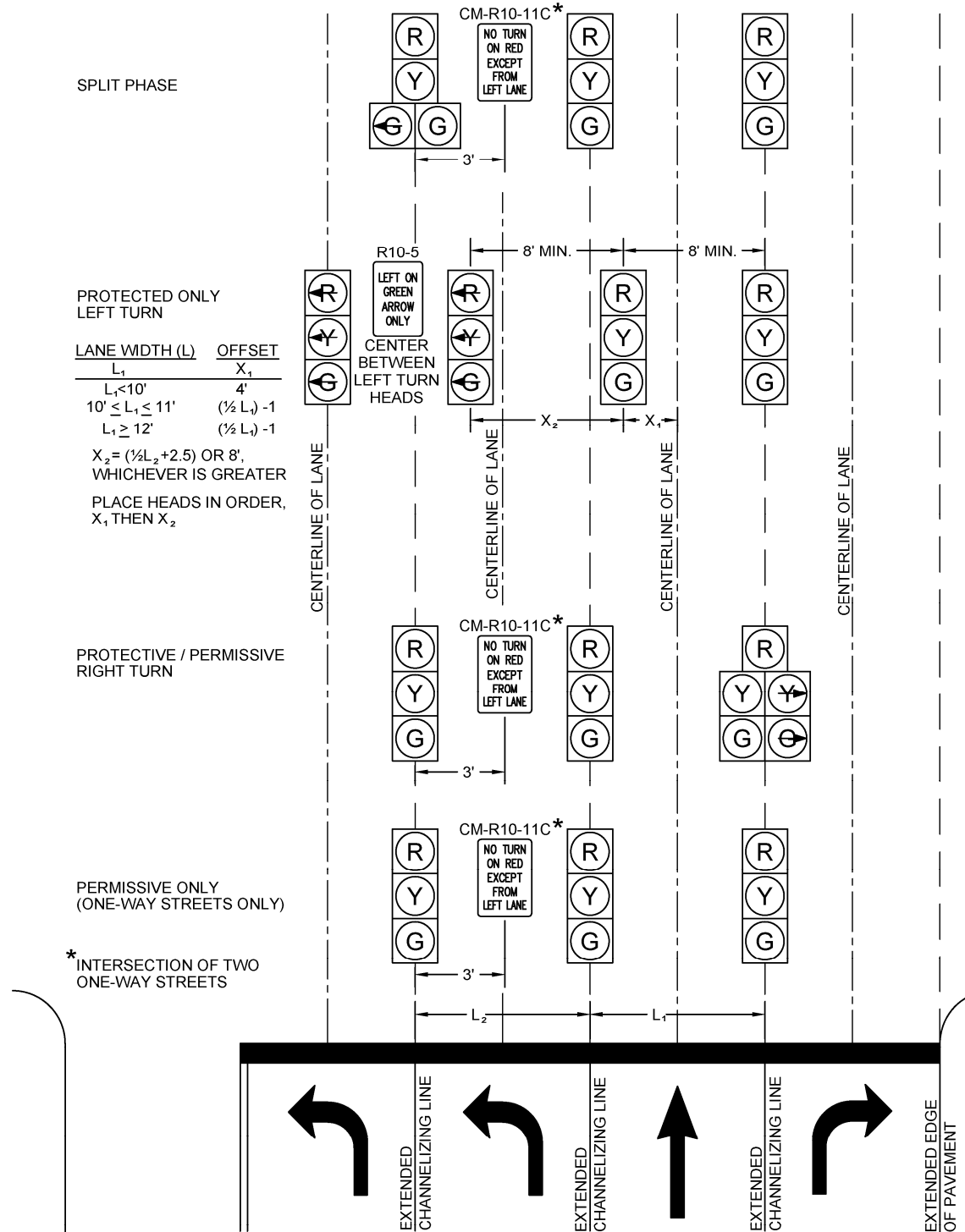


Figure 5.23
Vehicular Signal Head Alignment
Four Approach Lanes
Configuration D

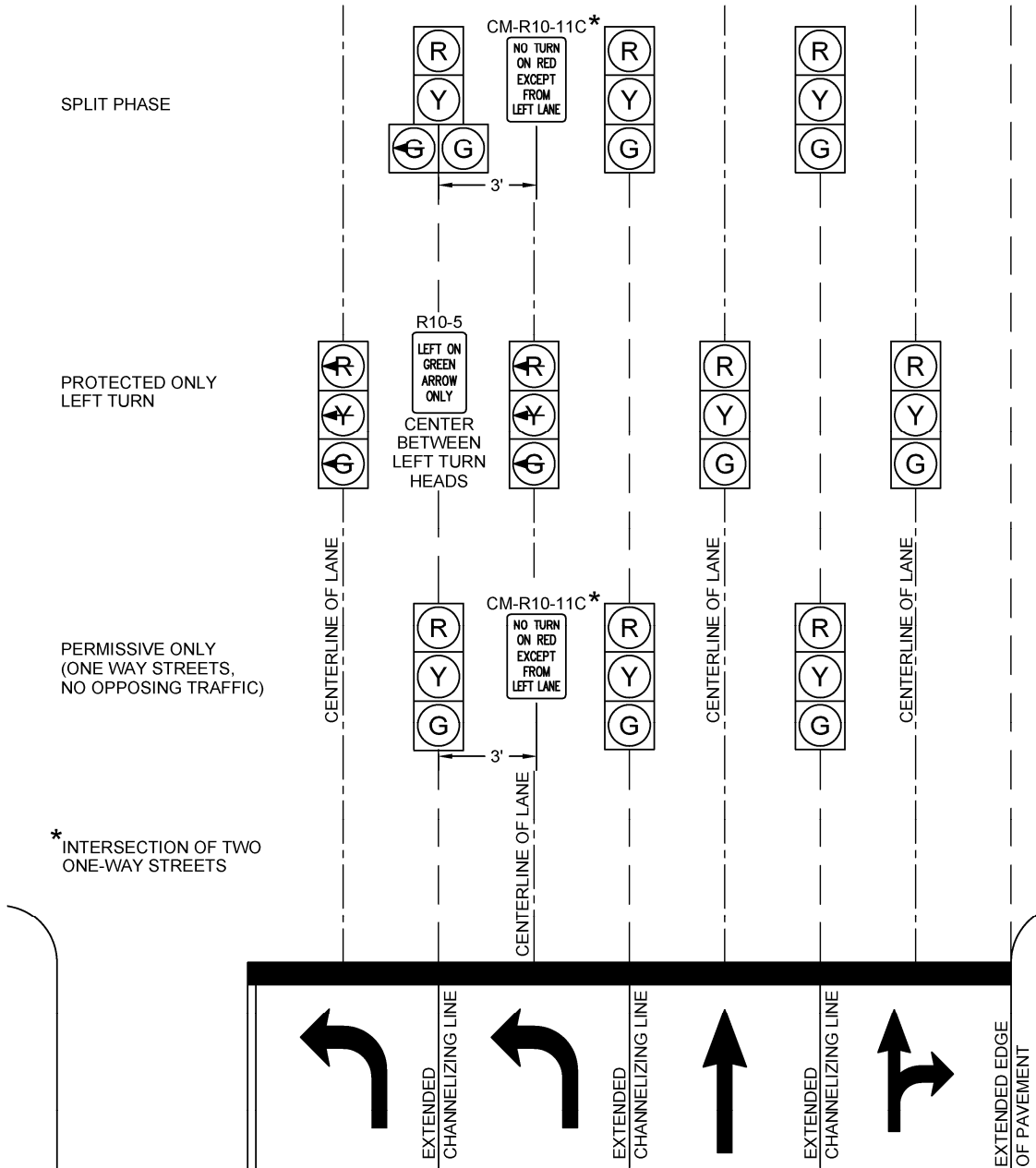


Figure 5.24
Vehicular Signal Head Alignment
Four Approach Lanes
Configuration E (1 Of 2)

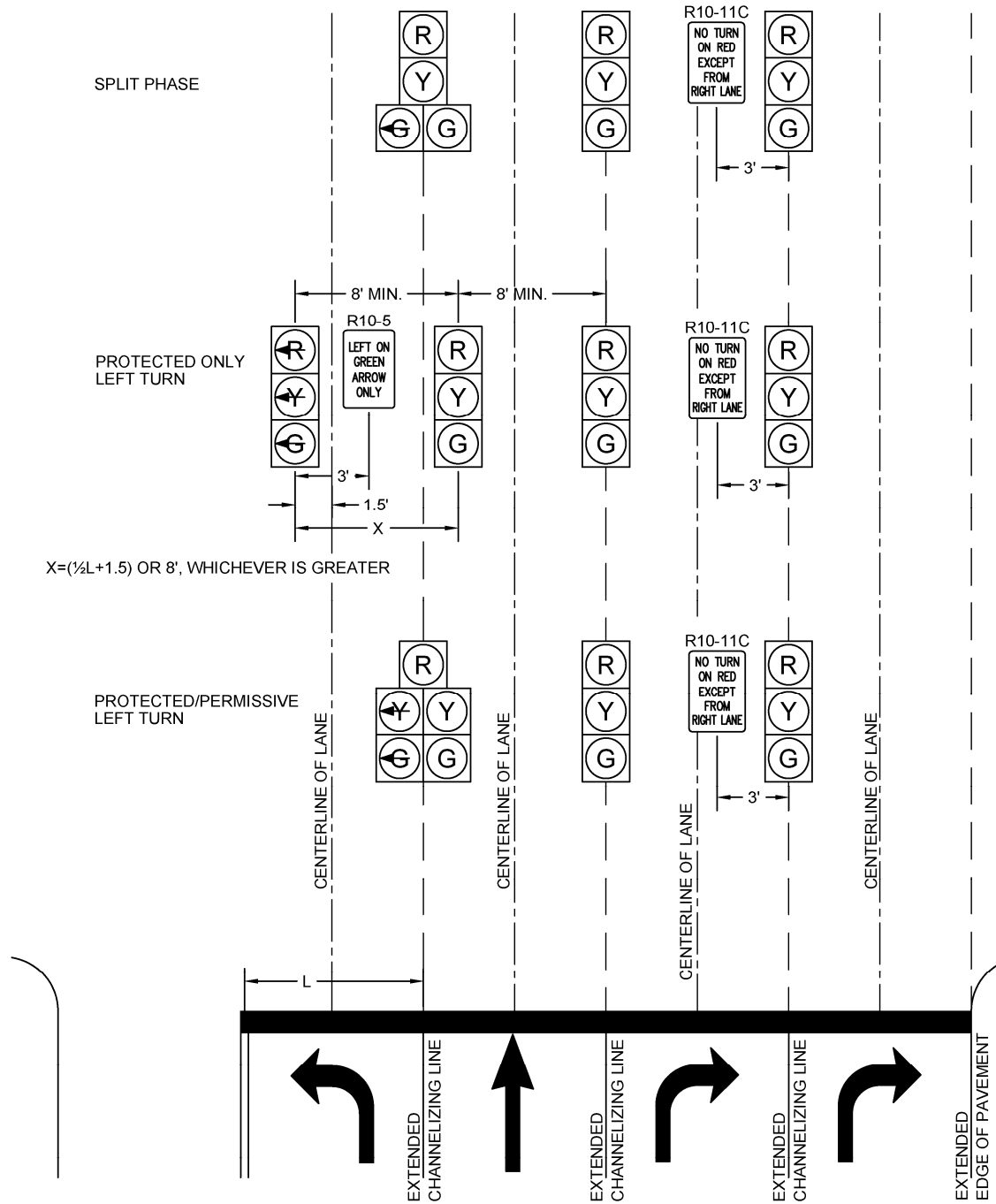


Figure 5.25
Vehicular Signal Head Alignment
Four Approach Lanes
Configuration E (2 Of 2)

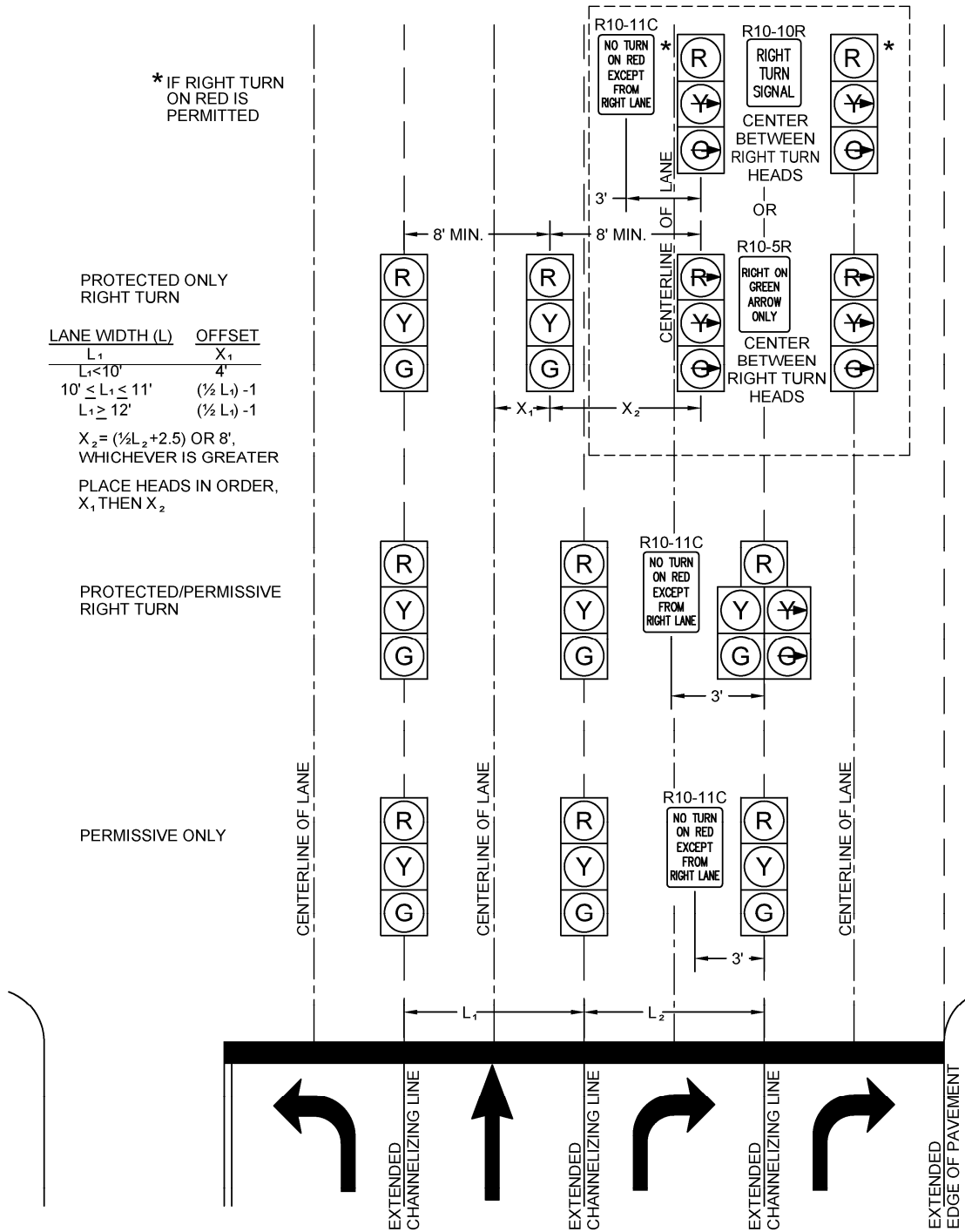


Figure 5.26
Vehicular Signal Head Alignment
Four Approach Lanes
Configuration F

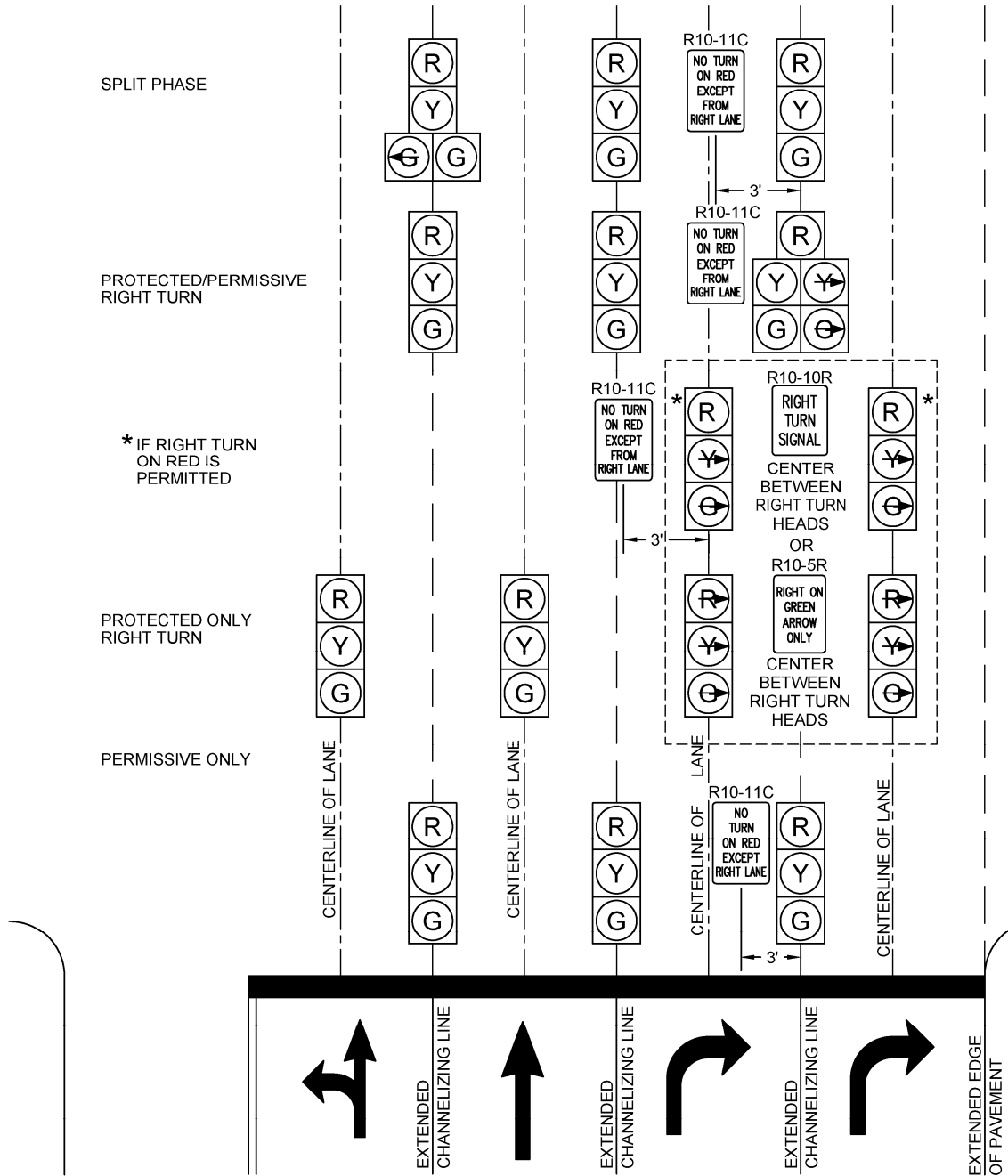
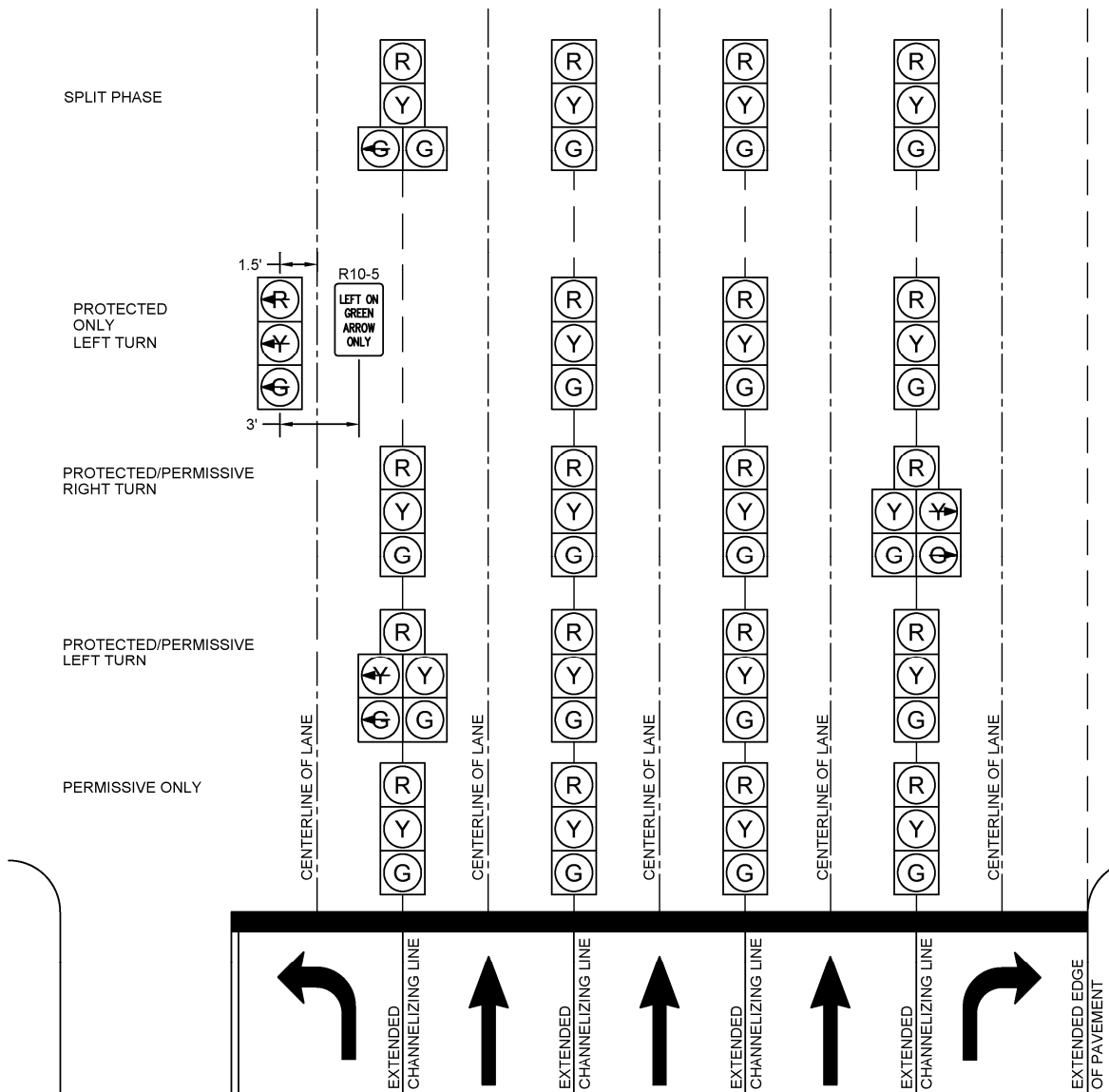
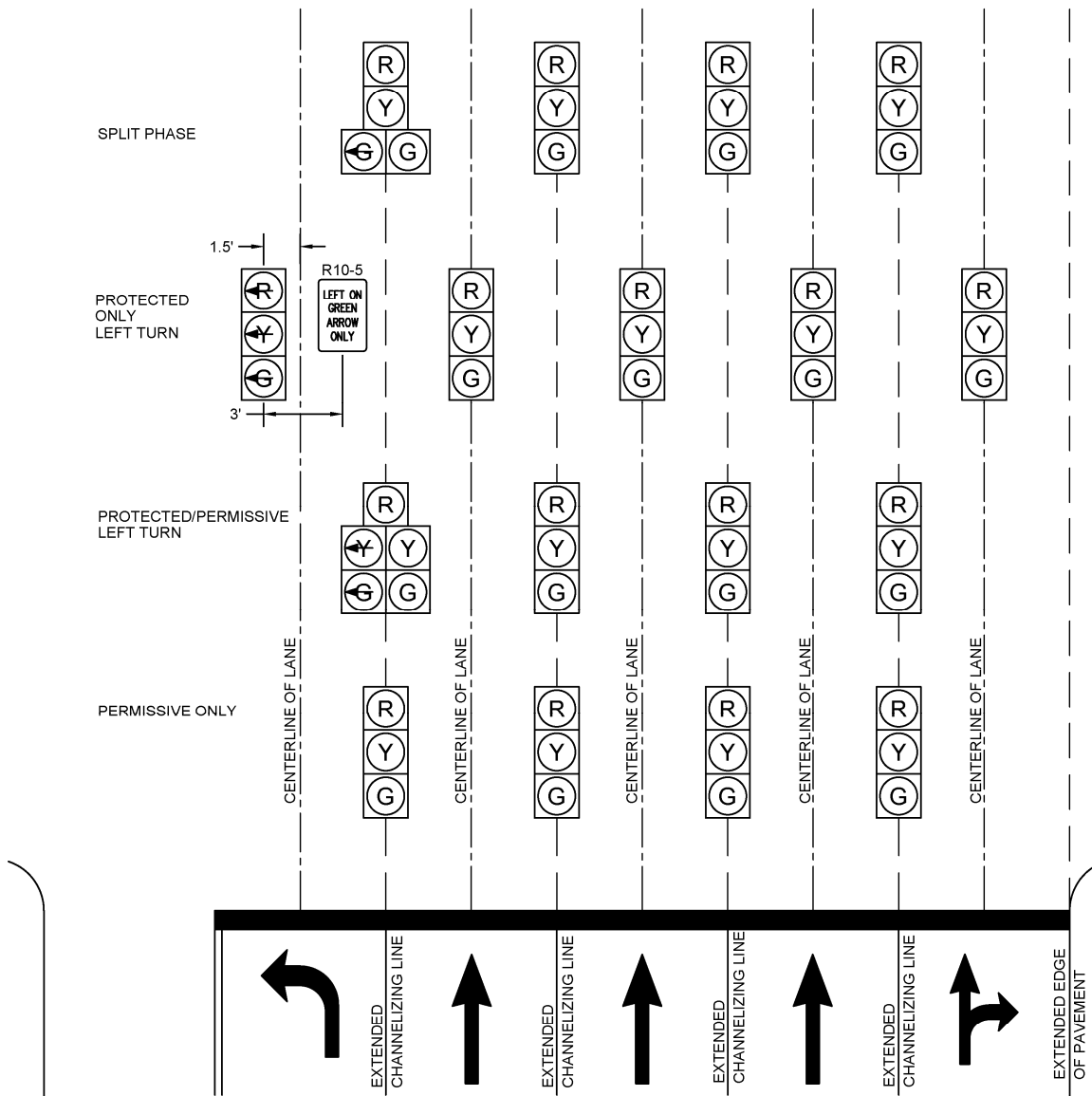


Figure 5.27
Vehicular Signal Head Alignment
Five Approach Lanes
Configuration A
 (Posted Speed < 45 MPH)*



* For posted speeds 45 MPH or higher, see OMUTCD Section 4D.11

Figure 5.28
Vehicular Signal Head Alignment
Five Approach Lanes
Configuration B
 (Posted Speed < 45 MPH)*



* For posted speeds 45 MPH or higher, see OMUTCD Section 4D.11

Figure 5.29
Vehicular Signal Head Alignment
Five Approach Lanes
Configuration C (1 Of 2)

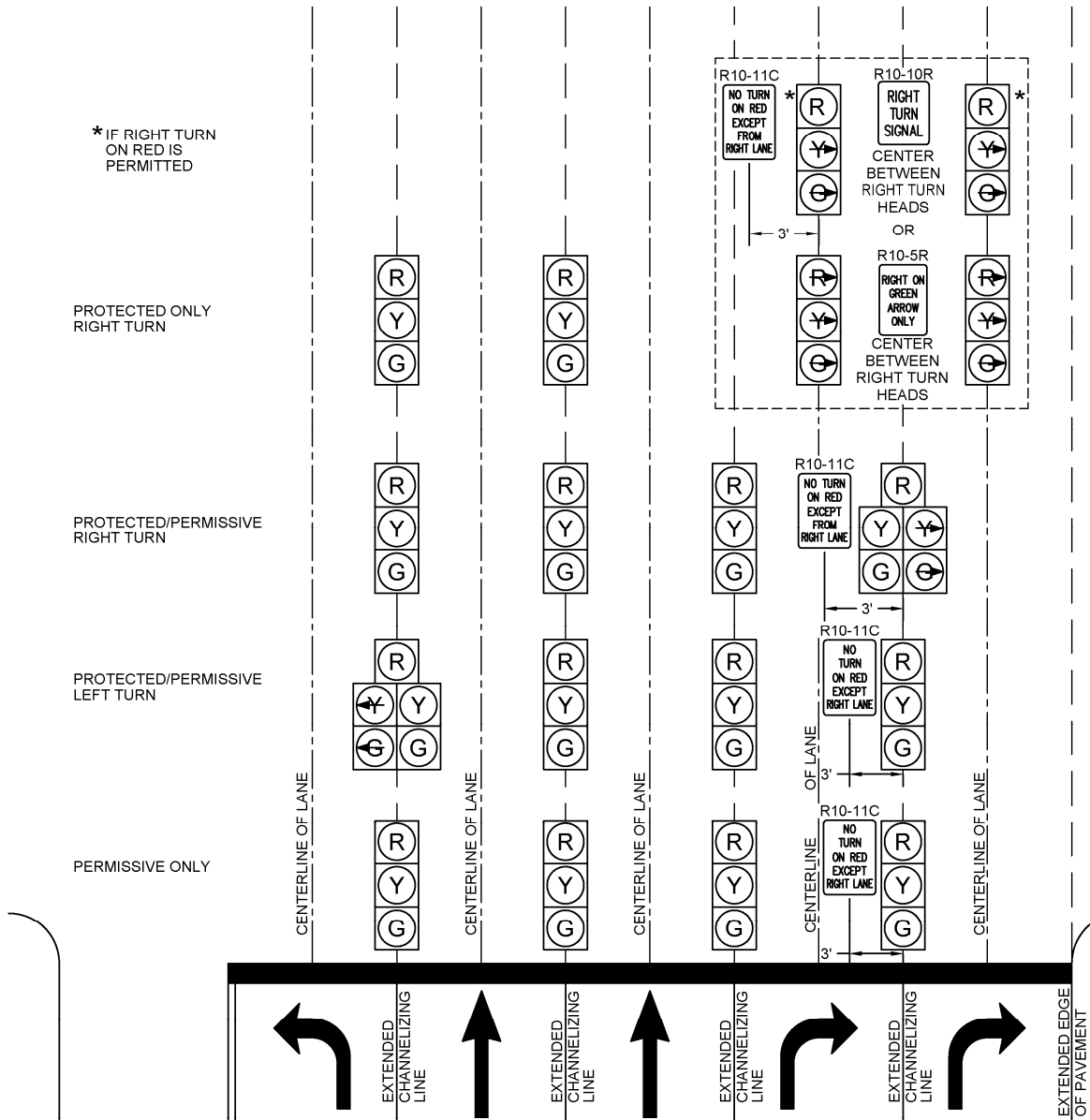


Figure 5.30
Vehicular Signal Head Alignment
Five Approach Lanes
Configuration C (2 Of 2)

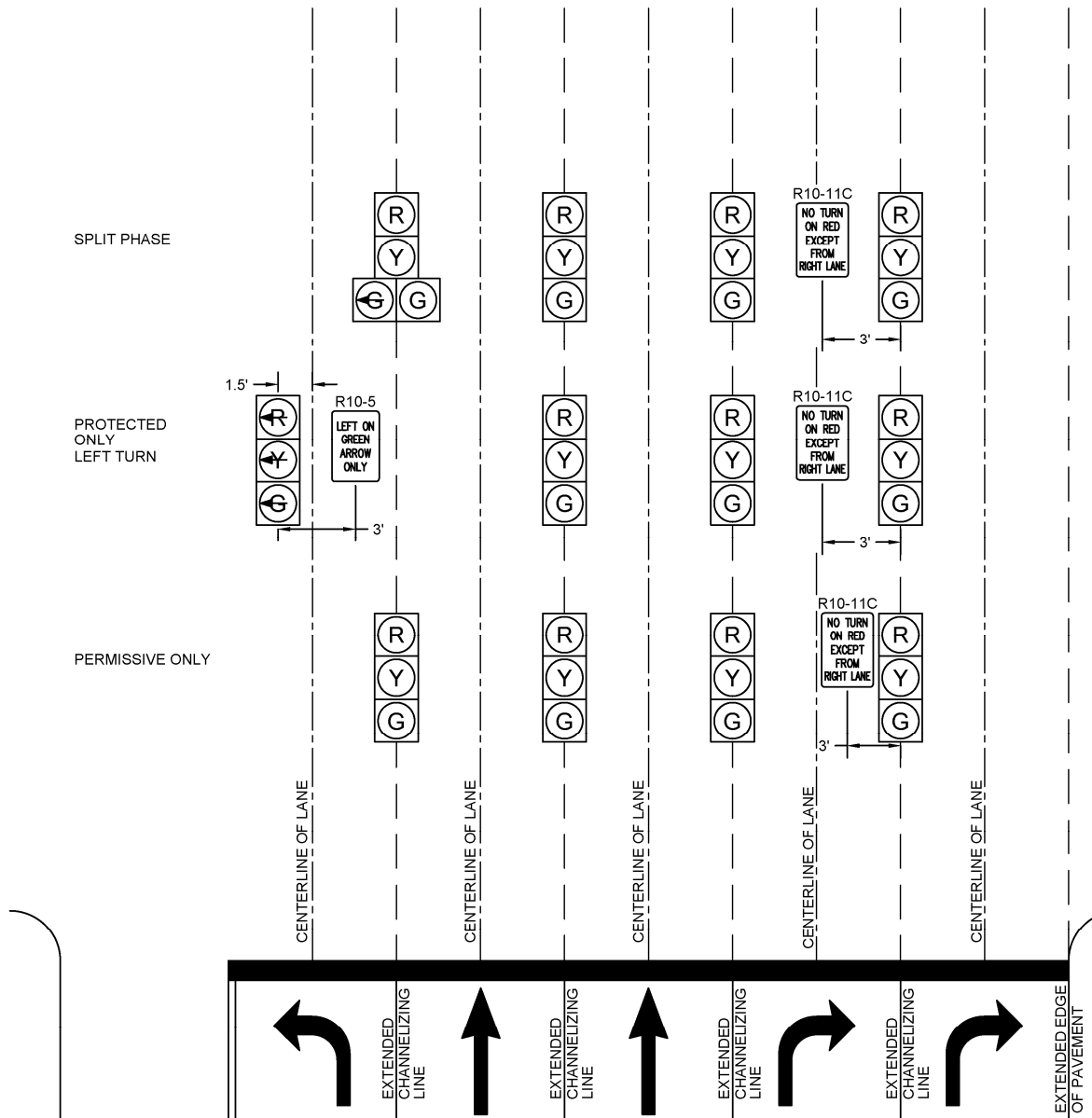
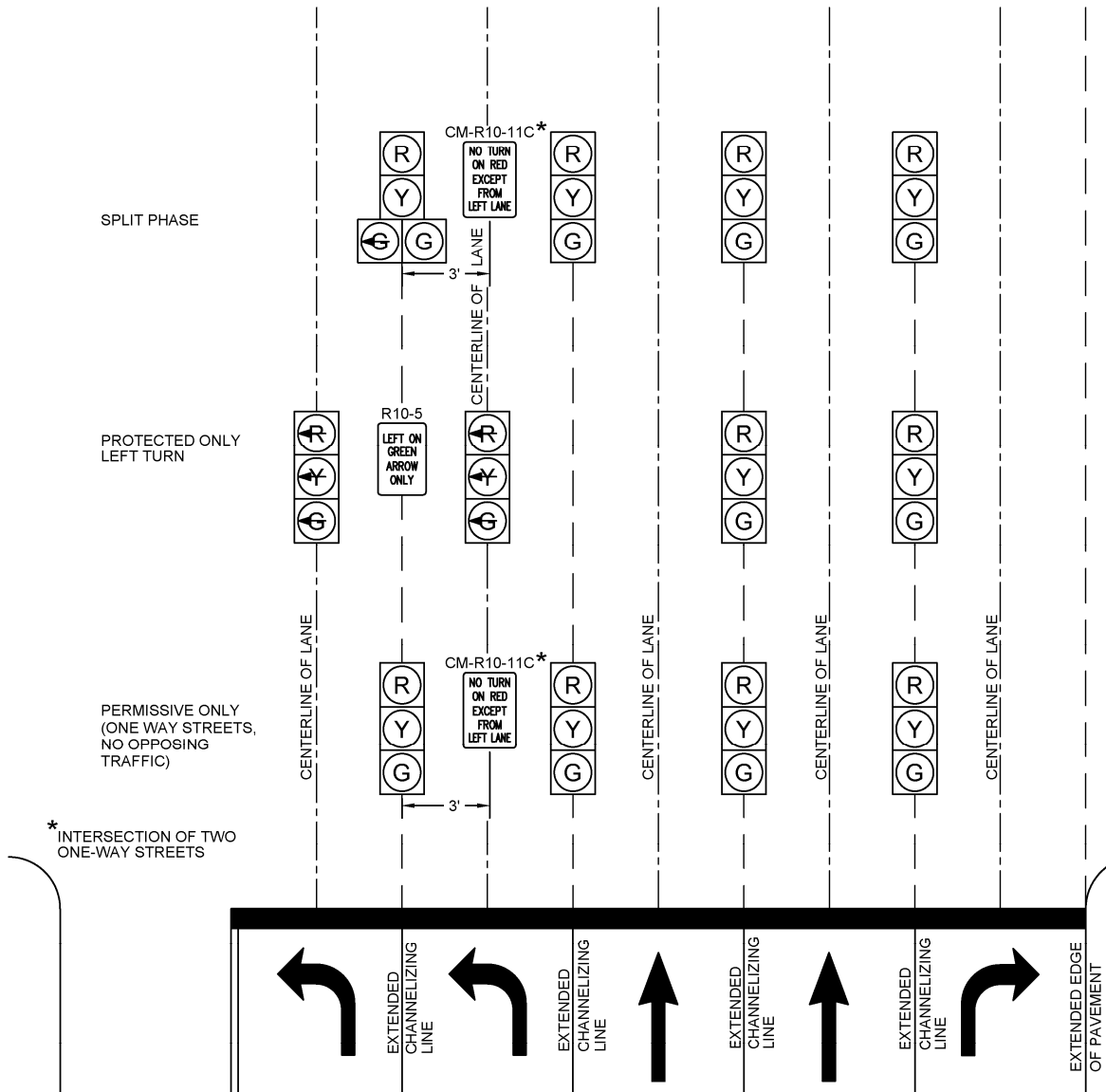


Figure 5.31
Vehicular Signal Head Alignment
Five Approach Lanes
Configuration D



CHAPTER 6: PEDESTRIAN FEATURES

6.1 Pedestrian Signal Heads

Pedestrian signal heads shall be used in conjunction with vehicular traffic control as outlined in Section 4E.03 of the [Ohio Manual of Uniform Traffic Control Devices](#). Pedestrian signal heads shall be used for all new pedestrian crossings at signalized intersections.

Marked crosswalks shall be used where pedestrian signal units control the crossing.

6.1.1 Material Specifications

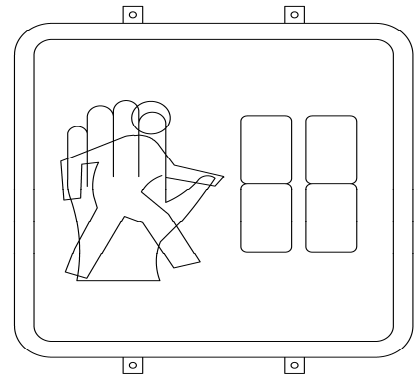
Pedestrian signal heads shall be in accordance with 632 and 732 of the current version of the [City of Columbus Construction and Material Specifications](#) and current revision of [Supplemental Specification 1100](#). Pedestrian heads shall be symbolic LED, countdown, filled hand/filled person units.

Materials shall also be in accordance with the City of Columbus [Qualified Products List](#).

6.1.2 Pedestrian Head Mounting

Pedestrian signal heads shall be mounted as detailed on [City of Columbus Standard Construction Drawing 4200](#).

FIGURE 6.1
PEDESTRIAN SIGNAL HEAD



6.1.3 Pedestrian Head Alignment

Pedestrian signal heads shall be aimed at the center of the crosswalk area (not the curb ramp) that is opposite the unit. Head alignment is detailed in **Figure 6.2**. Reference is made to the [City of Columbus Construction and Material Specifications](#), 632.08.

Horizontal orientation of the signal head on the pole shall be specified in the pole orientation/fabrication data chart to an accuracy of +/- 1 degree.

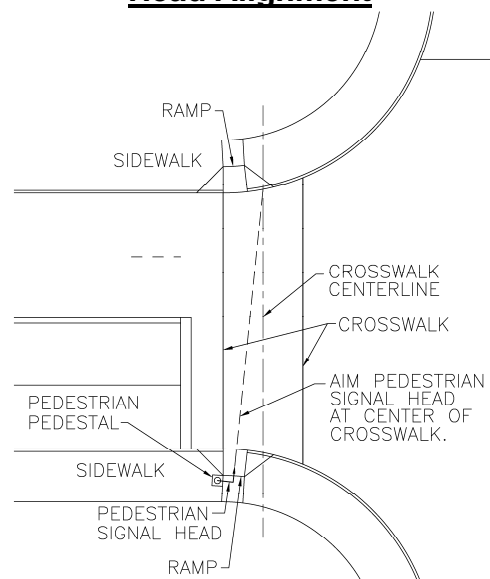
6.1.4 Pedestrian Head Color

The pedestrian signal head housing and clam shell mounting brackets shall be black, matching Federal Standard 595B, Color # 27038.

6.1.4.1 Special Pedestrian Head Color

In designated special districts, pedestrian heads may have the housing painted a color other than black; the area and color shall be subject to advanced approval by the City of Columbus, Director of the Department of Public Service or appointed designee. These specially colored heads will be supplied (for initial installation and for maintenance) by the Sponsor, "governing authority" of the special district pursuant to a written installation and maintenance agreement. Colors shall be coordinated with the requirements of **Section 5.1.5.1**.

Figure 6.2
Pedestrian Signal
Head Alignment



6.2 Pedestrian Pushbuttons

Pushbuttons and pushbutton signs shall be used anytime a pedestrian is allowed to cross at a signalized intersection and the signal phase associated with that crossing is actuated. Pedestrian pushbutton activation shall call the associated signal phase and provide adequate crossing time as outlined in **Section 15.1.4**.

One pedestrian pushbutton sign shall be supplied with each pushbutton. The bottom of the sign shall be mounted just above the top of the pushbutton. Signs shall be as illustrated in **Figure 6.3** and detailed on [City of Columbus Standard Construction Drawing 4230](#). For pushbuttons located at the side of the landing area, sign R10-3a shall be used. If the pushbutton is located at the back of the landing area, sign CM-R10-3a shall be used.

Pedestrian pushbuttons use and placement shall be in conformance with the requirements of the referenced City of Columbus documents listed in **Sections 6.2.1**, and **6.2.2**.

6.2.1 Pushbutton Specifications

Pedestrian pushbuttons shall be in accordance with 632 and 732 of the current version of the [City of Columbus Construction and Material Specifications](#).

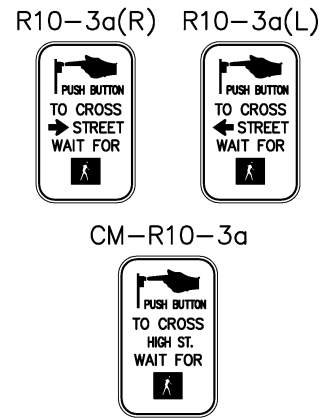
Materials shall also be in accordance with the City of Columbus [Qualified Products List](#).

6.2.2 Pushbutton Location/Mounting

The mounting height and location of pedestrian pushbuttons shall be in accordance with the [City of Columbus Construction and Material Specifications](#), Section 632.09 and with the [Rules and Regulations, Wheelchair Ramp Requirements](#) as published by the City of Columbus.

If a traffic signal support pole cannot be located in an acceptable location, as defined in the [Rules and Regulations, Wheelchair Ramp Requirements](#) document, a pedestrian pedestal (see **Section 4.1.5**) shall be used to position the pedestrian pushbutton in a conforming location.

Figure 6.3
Pushbutton Signs



6.3 Accessible Pedestrian Signals

All signalized intersections shall provide the underground conduit infrastructure needed to facilitate the application of accessible pedestrian signals for each leg of the intersection. Underground conduit, capped, with tracing wire shall be installed to all future pedestal locations. Actual design of accessible pedestrian signal features will be as directed by the City of Columbus, Department of Public Service. Any deviation must be approved by the City of Columbus, City Engineer or appointed designee.

6.3.1 Accessible Pedestrian Signals Specifications

Accessible pedestrian signals shall conform to the requirements of the latest edition of the [Ohio Manual of Uniform Traffic Control Devices](#).

Materials shall be in accordance with the City of Columbus [Qualified Products List](#).

6.3.2 Installation Requirements

Location of the pedestrian pushbutton shall be as specified in **Section 6.2.2**.

Wiring for all accessible pedestrian features shall use standard City of Columbus pedestrian pushbutton and pedestrian signal wiring standards. Additionally, a 4/C cable will be installed from the control panel located in the pedestrian signal head to the pedestrian pushbutton station.

One pushbutton sign shall be supplied with each accessible pedestrian signal. At intersections where the mainline pedestrian phase is on recall, an alternative CM-R73C.03 (9 in. x 15 in.) black and white pushbutton sign will be installed at each pushbutton location with the following text: "Push Button for Audible Signal to Cross "Street Name".

The minimum walk time shall be 10 seconds for crossing with accessible pedestrian signals. Pedestrian clearance time shall be based on the requirements of the latest edition of the [Ohio Manual of Uniform Traffic Control Devices](#).

Figure 6.4
Audible Pushbutton Sign



CHAPTER 7: INTERSECTION WIRING

7.1 Intersection Wiring

Signalized intersections and signal systems shall be designed in accordance with the [National Electrical Code](#) and [National Electrical Safety Code](#) unless otherwise noted in this manual.

Intersection wiring discussed in this chapter is defined as cables used to connect the traffic signal controller/cabinet with individual signal heads, pedestrian heads, pushbuttons and other traffic signal devices. Power and service cable wiring have been detailed in **Chapter 10**. Interconnect cable has been detailed in **Chapter 12**.

7.2 Material Specifications

Traffic signal wiring shall be designed in accordance with the requirements outlined in Sections 632 and 732 of the current version of the [City of Columbus Construction and Material Specifications](#) and current revision of [Supplemental Specification 1100](#). All wiring shall also be in conformance with the specifications outlined in the [Official Wire & Cable Specifications Manual](#) as published by the International Municipal Signal Association (IMSA).

Materials shall be in accordance with the City of Columbus [Qualified Products List](#).

7.3 Grounding and Bonding

An effective ground fault current path (bonding system) shall be provided on all new or modified traffic signals. If a portion of an existing traffic signal is modified by the addition or relocation of a strain pole/mast arm or if a new cabinet is installed, the entire traffic signal installation shall be upgraded to provide for a complete grounding and bonding system. The addition of pedestrian pedestals to an existing intersection will not trigger the need to upgrade the entire intersection.

The effective ground fault current path back to the ground bus bar in the controller cabinet shall be designed for all non-current carrying metallic parts containing electrical conductors in the signal system. The equipment ground shall be connected to the service neutral in the traffic signal cabinet only.

Grounding and Bonding plan notes as provided by the City of Columbus shall be included in the traffic signal plan. A grounding and bonding wiring diagram shall be included in the plan to illustrate how individual traffic signal components are connected to the grounding and bonding system. Examples of a “Grounding and Bonding” wiring diagram are illustrated in **Figures 7.1** and **7.2**. The grounding and bonding system shall be designed to minimize the number of conductors

needed.

Grounding and bonding conductors shall provide for a direct connection between all non-current carrying metallic parts without the use of underground splices or lug connections. Grounding and bonding connections shall be made in the base of signal poles, pedestals, or in cabinets only. The only exception shall be a direct connection to the pull box frame for the purposes of grounding and bonding an individual metallic pull box lid/frame. Grounding and bonding conductors that continue through the pull box serving other signal components, shall not be connected to the pull box grounding and bonding lug.

Figure 7.1
Grounding And Bonding Wiring Illustration
Mast Arm Example

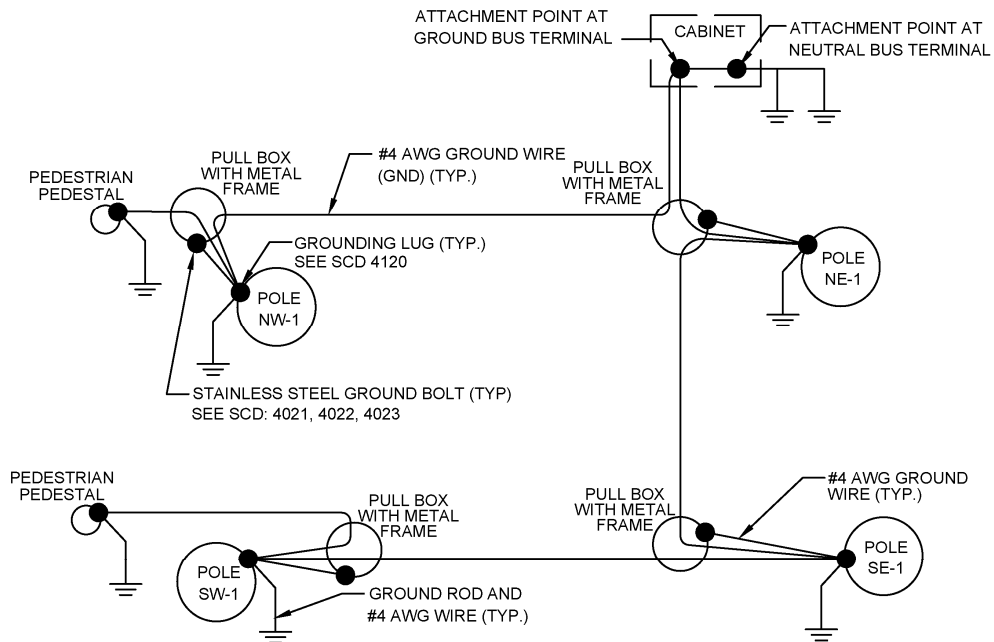
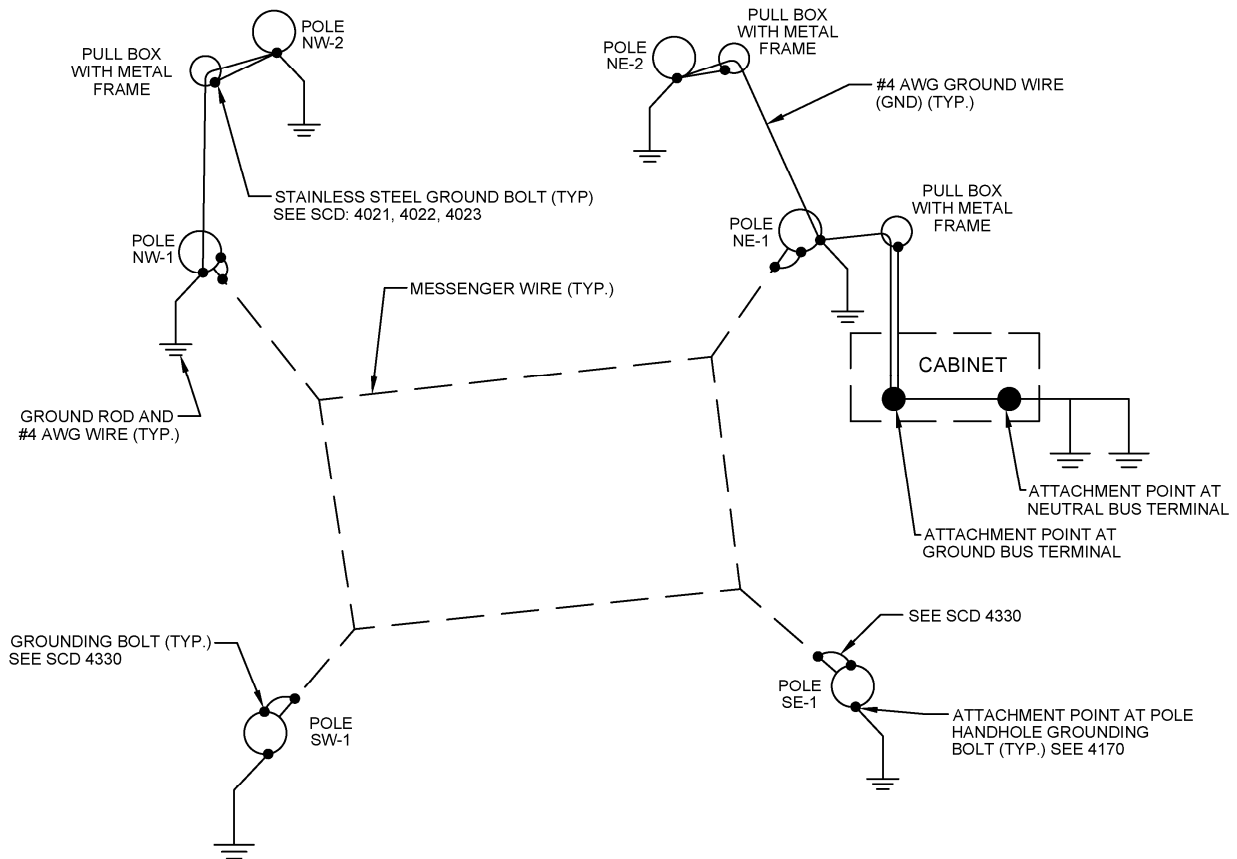


Figure 7.2
Grounding and Bonding Wiring Illustration
Span Wire Example



7.3.1 Ground Rods

A minimum of 1 ground rod shall be used at each strain pole, mast arm pole, pedestal pole or any other support that contains traffic signal cable and/or contains traffic signal features such as: vehicular signal heads, pedestrian signal heads and pedestrian pushbuttons.

A minimum of 2 ground rods shall be used at any enclosure that houses traffic signal control equipment. When a pole mounted cabinet is used, 2 schedule 40, PVC conduits shall be installed in the pole foundation for ground wire use. One conduit shall contain the ground wire attached to the

pole base and the second conduit shall contain the ground wire attached to the traffic signal cabinet. The conduits shall be on opposite sides of the pole foundation.

Additional ground rods may be required to meet the resistance values published in Section 625.16 of the [City of Columbus Construction and Material Specifications](#).

7.4 Number, Color and Gauge of Conductors

All intersection wiring shall conform to the requirements of Table 732.19-1 (Cable and Wire) of the [City of Columbus Construction and Material Specifications](#).

Signal cable shall have a minimum gauge of 14 AWG.

Cable shall consist of 2, 3, 4, 7, 9 and 10 conductors. Signal cable color coating and the minimum number of conductor requirements are summarized in **Tables 7.1, 7.2 and 7.3**. Tagging of the phase and direction on the cable is required, but not for the individual conductors. Use the minimum number of conductors required to satisfy the requirements. If a future signal phase is anticipated, the cable specified should accommodate this future condition.

Signal cable shall run between the traffic signal control cabinet and the signal device without splices. Splices shall only be permitted at termination blocks located inside vehicular or pedestrian head housings.

7.4.1 Vehicular Signal Head Wiring

For span wire and mast arm configurations, provide 1 circuit to each set of approach heads. The minimum number of conductors per circuit shall be 7. A 5-section right turn head requires a 9 conductor cable. After the right turn head is served, a 7 conductor cable should be used to feed the remainder of the heads on the same approach. Examples of vehicular signal head cable routing are illustrated in **Figure 7.3**. Vehicular signal cable color coding and the minimum number of conductor requirements are summarized in **Tables 7.1 and 7.3**.

A maximum of (2) - 10 conductor cables shall enter an individual vehicular traffic signal head.

7.4.2 Pedestrian Signal Head Wiring

One (maximum of 2) pedestrian signal cable(s) should be used to serve all pedestrian signal heads at an individual intersection.

Jumpered connections shall occur inside pedestrian signal housings. The only locations that the multi-conductor jackets may be removed are in

controller cabinets and signal head housings.

The number of conductors used to serve individual pedestrian units is based on the location of the traffic signal control cabinet, the direction (clockwise or counter-clockwise) of cable routing and if crosswalks are planned for individual legs of an intersection. In order to satisfy color coding requirements, pedestrian signal heads serving the east crosswalk require a 9 conductor cable. Pedestrian signal heads serving the north, west and south crosswalks require a minimum 7 conductor cable. Pedestrian signal cable color coding and the minimum number of conductor requirements are summarized in **Tables 7.1** and **7.2**.

Examples of pedestrian signal cable routing are illustrated on **Figure 7.4**.

7.4.3 Pedestrian Pushbutton Wiring

Pedestrian pushbuttons shall be served with IMSA 50-2, 2-conductor loop lead-in cable. Where practicable, pushbuttons that serve the same phase shall be placed on one circuit.

7.4.4 Accessible Pedestrian Pushbutton Wiring

Wiring for all accessible pedestrian features shall use standard City of Columbus pedestrian pushbutton and pedestrian signal wiring standards as outlined in **Section 7.4.2 and 7.4.3**. Additionally, a 4 conductor cable shall be installed from the control panel located in the pedestrian signal head to the pedestrian pushbutton station.

7.4.5 Illuminated Signs

A minimum 3-conductor cable shall be used to serve illuminated signs, with one conductor being the equipment grounding conductor.

7.4.6 Video Detection

Cable used to serve video detection cameras shall be as recommended by the camera manufacturer.

Digital streaming video output and all data communication shall be transmitted over the camera cable

Video detection materials shall be in accordance with the City of Columbus [Qualified Products List](#).

7.4.7 Inductive Loop Detection

Each loop detector shall be served with an individual IMSA 50-2, 2

conductor loop lead-in cable.

7.4.8 Other Detection Technologies

Cable used for other detection technologies shall be as recommended by the manufacture.

7.4.9 Emergency Vehicle Preemption

Preemption detector cable shall be as recommended by the preemption system manufacturer.

Emergency Vehicle Preemption materials shall be in accordance with the City of Columbus [Qualified Products List](#).

7.4.10 Railroad Preemption

For additional information see **Section 16.1.2**

7.4.11 Transit Priority

For additional information see **Section 16.1.3**

Figure 7.3
Typical Vehicular Signal Head Wiring
Per Approach

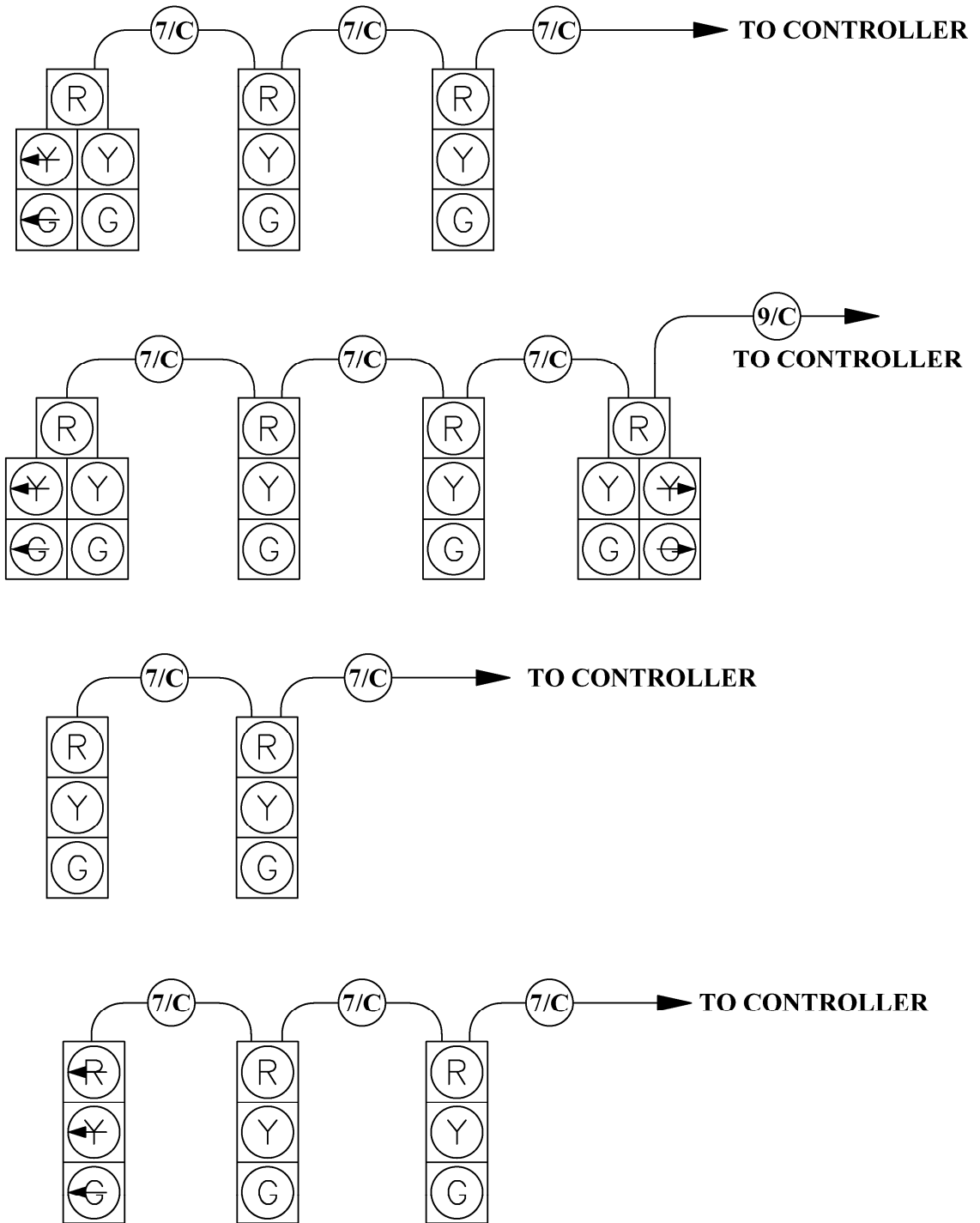


Figure 7.4
Typical Pedestrian Signal Head Wiring

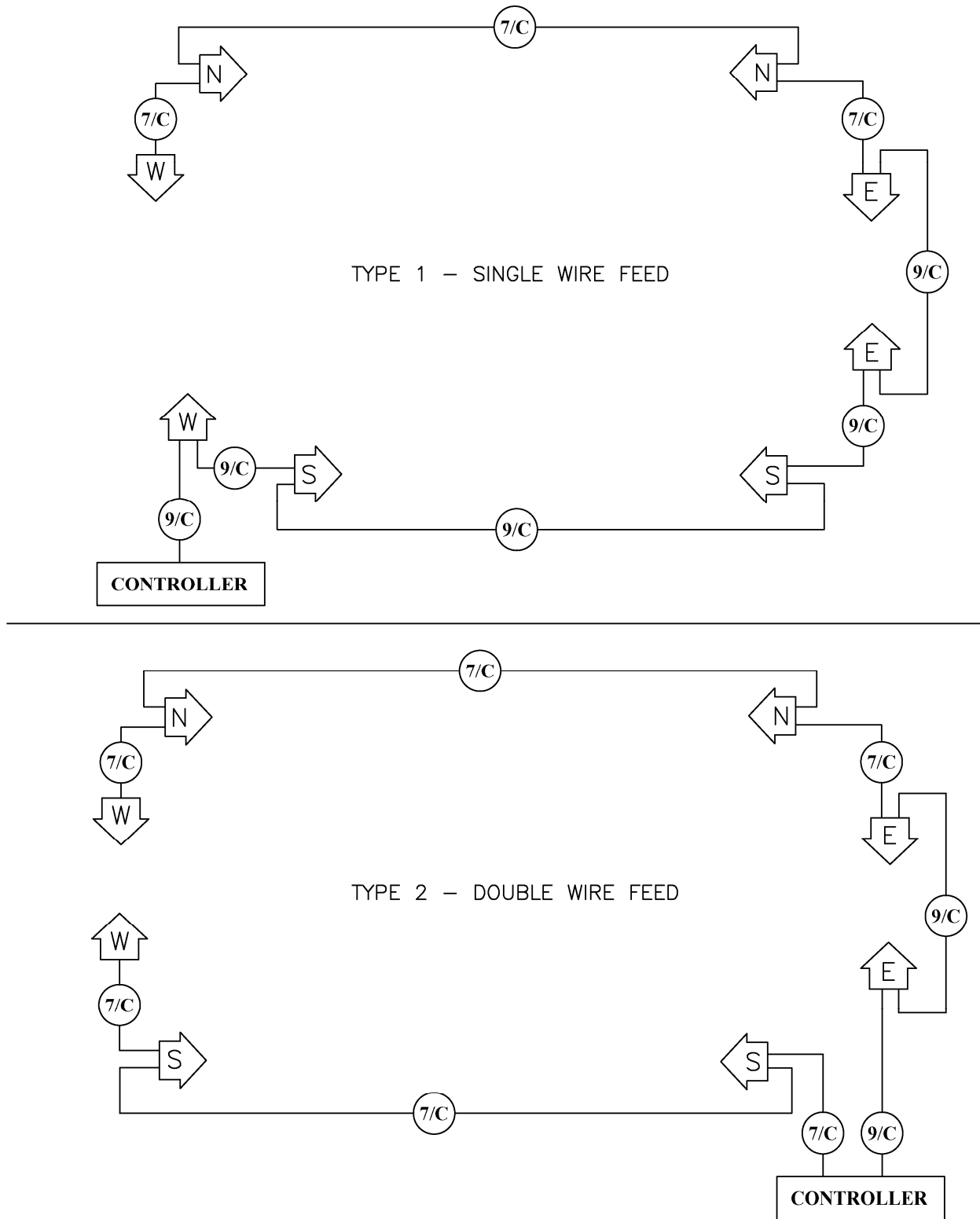


Table 7.1
Minimum Number of Conductors

	Min. Number of Conductors	Min. Gauge
Standard 3 Section Vehicular Signal Head	7	14
Left Turn 3 Section Vehicular Signal Head	7	14
Right Turn 3 Section Vehicular Signal Head	10	14
Left Turn 4 Section Vehicular Signal Head	7	14
Left Turn 5 Section Vehicular Signal Head	7	14
Right Turn 5 Section Vehicular Signal Head	9	14
Pedestrian Pushbutton	2	14
APS (Ped Head to Pushbutton Station)	4	14
South Pedestrian Signal Heads	7	14
West Pedestrian Signal Heads	7	14
North Pedestrian Signal Heads	7	14
East Pedestrian Signal Heads	9	14
Illuminated Sign	3	14
Loop Detector Lead-in Cable	2	14

Table 7.2
Pedestrian Signal Head - Field Wiring Color Codes

Pedestrian Unit Location	Crosswalk Display	Wire Color
South Crosswalk	Walk	Black
	Don't Walk	Orange
West Crosswalk	Walk	Green
	Don't Walk	Red
North Crosswalk	Walk	Blue
	Don't Walk	White w/Black Tracer
East Crosswalk	Walk	Green w/Black Tracer
	Don't Walk	Red w/Black Tracer
Neutral	---	White

Table 7.3
Vehicular Signal Head - Field Wiring Color Codes

Signal Display	Wire Color Per Approach
Thru R	Red
Thru Y	Orange
Thru G	Green
L/T ←R	Black
L/T ←Y	White w/Black Tracer
L/T ←G	Blue
R/T →R	Orange w/Black Tracer
R/T →Y	Red w/Black Tracer
R/T →G	Green w/Black Tracer
Neutral	White

7.5 Overhead Wiring

Overhead cable routing shall be designed to serve individual intersection components in a manner to minimize weight on the span, minimize the number of circuits originating from the control cabinet and take the most logical and direct route practical. The wiring diagram shall be drawn to graphically depict the desired wire routing needed to achieve these goals. See **Section 7.9, Figure 7.6** and **Figure 7.7** for wiring diagram requirements and examples.

When future signal devices are expected, cable for these future items (heads, loops, pushbuttons, etc.) shall be installed on the appropriate span and properly terminated without the need for future splicing.

7.5.1 Messenger Wire

All overhead cables shall be supported with messenger wire. Traffic signal cables shall be securely attached to the messenger wire via lashing rod. Over-lashing will not be permitted. Where new cables are added, the existing lashing rod shall be removed and reused or replaced.

Attachment to traffic signal supports shall be per [City of Columbus Standard Construction Drawings 4330 and 4331](#).

Attachment to private utility poles requires securing a permit from the pole owner. Pole attachment agreements/permits shall be acquired and furnished to the City of Columbus. The designer is responsible for coordinating with the utility pole owner and completing any attachment agreement forms, but only City personnel may sign forms.

7.5.2 Span Configuration

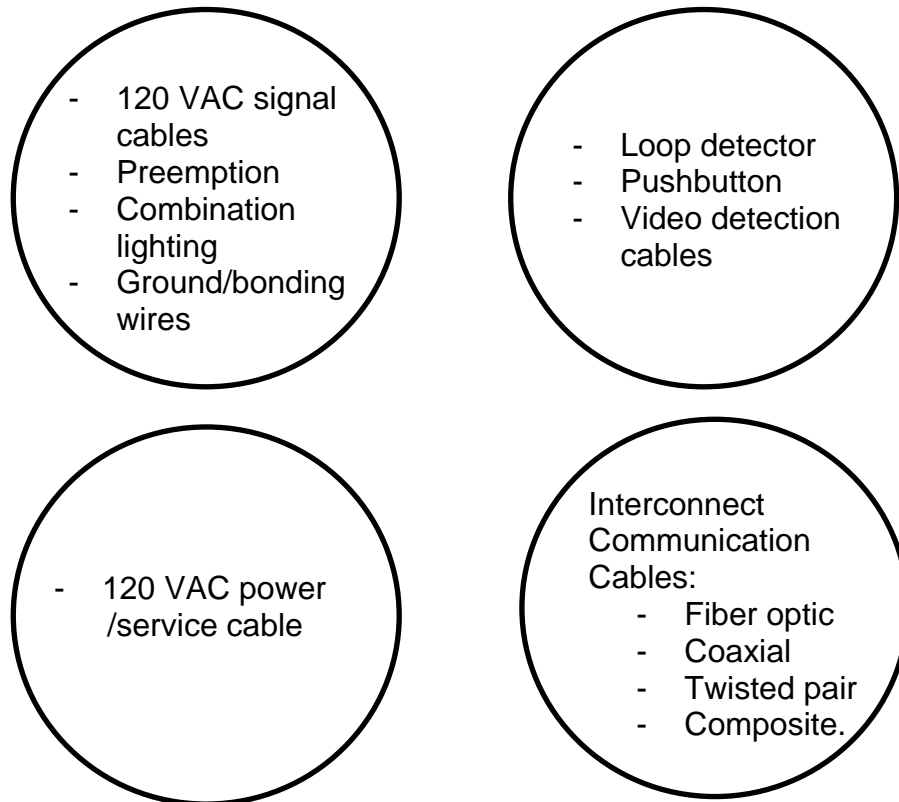
The configuration of the proposed span shall accommodate overhead utility clearance requirements as outlined in **Section 7.8**. Overhead wires may not block or partially block the view of any traffic signal head. Span configurations shall be in accordance with **Section 4.1.4.2**.

7.6 Underground Wiring

The traffic signal plan shall designate which cables are to be installed in individual conduits. Detailed callouts shall be used to specify the size of an individual conduit and which signal cables shall be installed in the referenced conduit. A separate group of callouts shall be furnished for each run of conduit. Examples of wire and conduit callouts are furnished in **Section 13.8.1**.

For new construction, cables shall be grouped together in separate conduits as illustrated in **Figure 7.5**. When only loop detector/pushbutton cable is used in a conduit run, the ground wire shall be placed in a separate conduit.

Figure 7.5
Cable Grouping In Conduit



Only cables serving traffic signal elements mounted on a signal support shall enter the base/foundation of that structure. All other cables shall bypass the foundation. Traffic signal cable should not loop through a signal support structure when that cable does not serve devices on that support.

7.6.1 Cable Routing

Layout of the cable and conduit system for a mast arm traffic signal installation should be designed to cross the main street at only one location and each side street only once.

7.6.2 Conduit Fill

The maximum number of cables specified for an individual conduit shall conform to the conduit fill requirements outlined in **Section 13.2.2**.

Table 7.4 lists dimensions of underground traffic signal cable.

Table 7.4
Traffic Signal Cable Sizes

Wire	Conductors	Gauge (AWG)	Cross Section Area (in ²)
14 AWG Signal Cable/ IMSA 19-1 or 20-1	3/C	#14	0.13
	7/C	#14	0.22
	9/C	#14	0.33
	10/C	#14	0.36
RHH/RHW/USE: Power Cable, Ground Wire, or Lighting Wire	1/C	1/0	0.304
	1/C	#2	0.229
	1/C	#4	0.173
	1/C	#6	0.138
	1/C	#8	0.107
IMSA 50-2 Loop Detector Cable	2/C	#14	0.102
0.500 in. Underground Coax Trunk/Feeder Cable	1/C	#10	0.255
RG-6 Drop Cable	1/C	#18	0.058
RG-11 Drop Cable	1/C	#14	0.126
RG-6 with Power Video Detection Cable	1/C	#18(Coax)	0.16
	2/C	#16 (Power)	
CAT 5 with Power Video Detection Cable	16/C	multiple	0.332
IMSA 39-2 Video Detection Cable	3 Pair	#19 AWG	0.18
PE 39-BJFA Interconnect Cable	6 Pair	#19	0.322
Accessible Pedestrian Jumper Cable	4/C	#18	0.08
Fiber Optic Cable	24-Strand	---	0.45
	48-Strand	---	0.45
	72-Strand	---	0.45
	144-Strand	---	0.65
	288-Strand	---	0.75

7.7 Combination Lighting

Combination lighting and signal supports shall only be used in the downtown business district or at the direction of the City of Columbus, City Engineer or appointed designee.

When used, luminaires mounted on traffic signal supports shall be powered by the same power source used for the traffic signal installation. All combination lighting shall be routed through traffic signal conduit back to the traffic signal controller cabinet. Combination lighting wires shall not enter any adjacent street lighting conduit system. Conversely street lighting circuits shall not enter the traffic signal support, signal conduit system or the traffic signal cabinet. Adjacent street lighting systems and all combination traffic signal/lighting circuits shall remain separate at all times. See **Figure 7.7** for a wiring example.

Street lights mounted on traffic signal supports shall not be controlled with a photo cell. A remote current sensor shall be used to detect when the adjacent street lighting system is activated and in turn simultaneously activate the combination lighting. The current sensor shall be as detailed on the [City of Columbus Street Lighting Specification](#), MIS-184 and located in an adjacent street lighting pull box, lighting pole base or street lighting controller nearest to the traffic signal controller cabinet.

A separate circuit breaker shall be provided in the traffic signal cabinet for the combination lighting system.

7.8 Overhead Clearances

Aerial traffic signal cable and messenger wire shall maintain applicable clearances from other structures and other wires/conductors as listed in the [National Electrical Safety Code](#), [National Electrical Code](#) and the regulations published by the [Occupational Safety and Health Administration](#) (OSHA) addressing installation and maintenance tasks. Code references are listed in **Table 7.5**.

Table 7.5
Overhead Wires, Cables and Equipment Clearances

	National Electrical Safety Code Reference	National Electrical Code Reference
Vertical Clearance from: ground, road, rail, etc.	Section 232	225.18 230.24 230.26
Clearance between wires on different supporting structures	Section 233	N.A.
Clearances between wires on the same supporting structure	Section 235	225.14 800.44
Clearance of wires from adjacent structures. (Includes Light Poles and Buildings)	Section 234	225.19 230.24

- While section references listed in Table 7.5 are based on the 2014 National Electrical Code and the 2012 National Electrical Safety Code, the designer is required to reference the most recent publication of these documents.
- Individual railroad companies may have additional clearance requirements.

In addition to the requirements outlined in **Table 7.5**, the Designer shall also consider the regulations published in Part 1926 of the [29 CFR \(OSHA\) Safety and Health Regulations for Construction](#).

7.9 Intersection Wiring Plan Components

Plan details shall be furnished illustrating the number of conductors that will be routed to each item including, but not limited to: vehicular signal heads, pedestrian signal heads, pedestrian pushbuttons, loop detectors, preemption, illuminated signs, combination lighting and video detection.

A wiring diagram shall be furnished, graphically depicting the wire routing and field orientation needed to accommodate the proposed conduit system/span layout and geographical location of each traffic signal element. An accompanying legend shall also be provided. Wiring diagram examples and suggested legend symbols are provided in **Figure 7.6** and **Figure 7.7**.

Figure 7.6
Intersection Wiring Diagram
With Loop Detectors

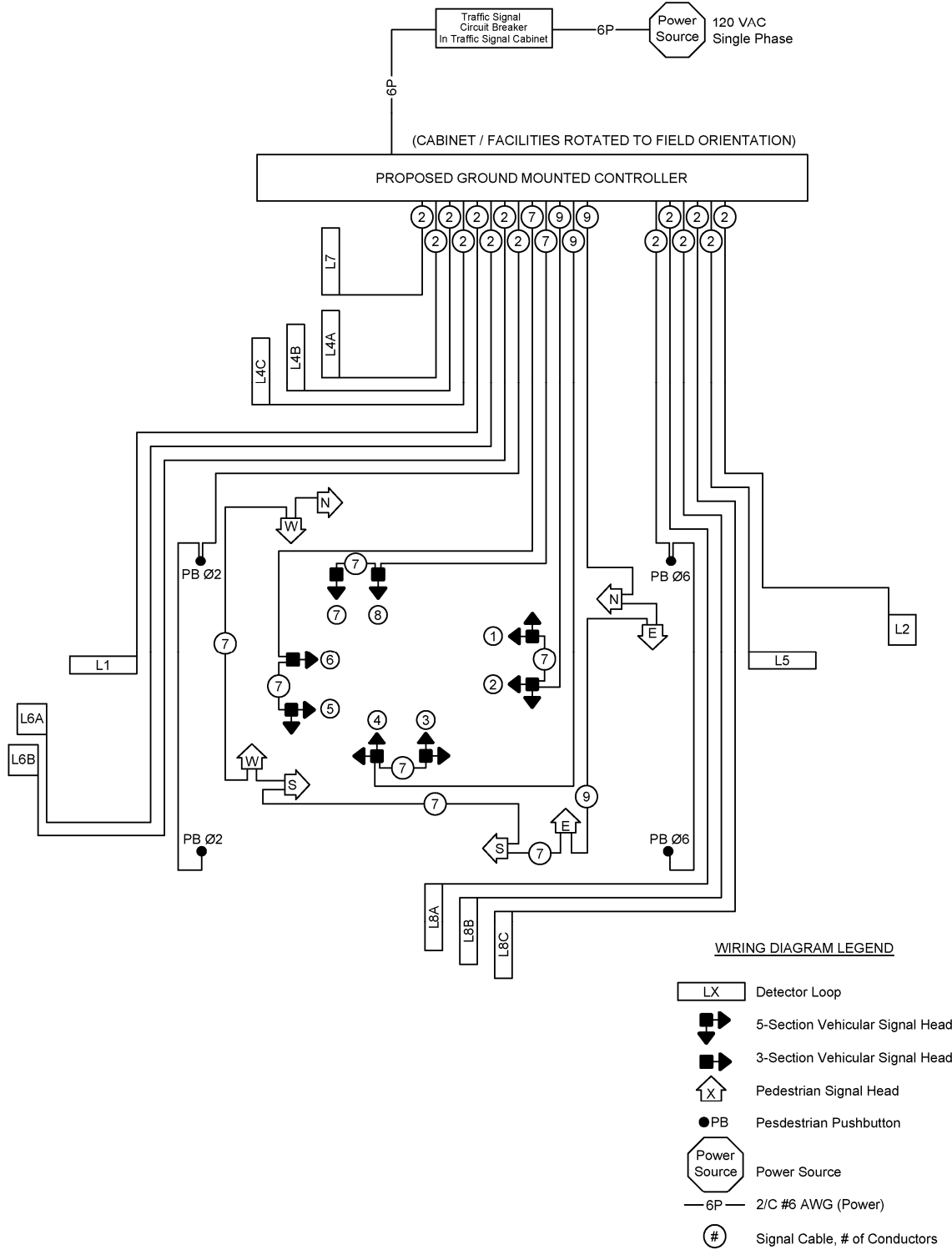
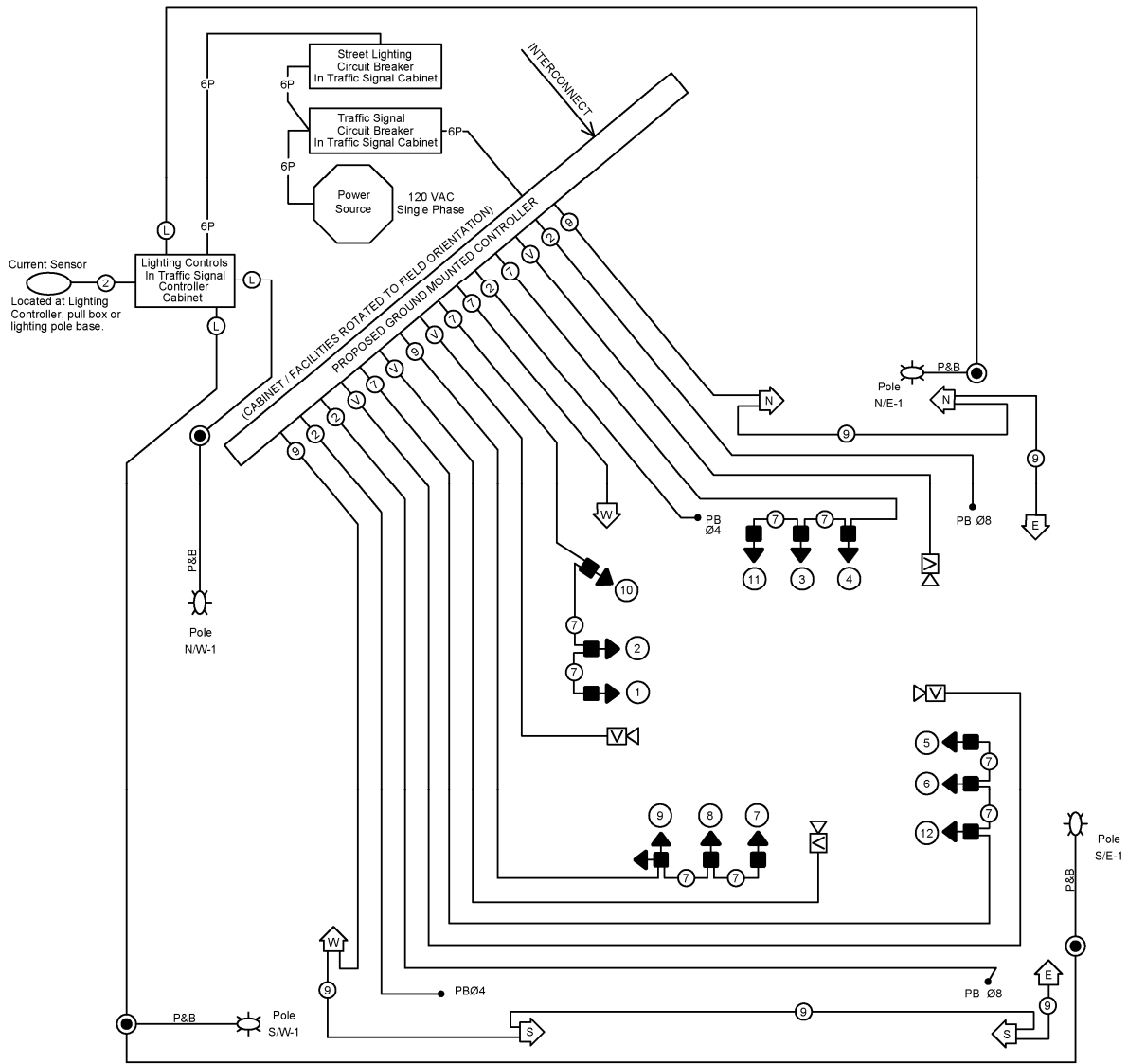


Figure 7.7
Intersection Wiring Diagram
With Video and Combination Lighting



WIRING-DIAGRAM LEGEND

	Power Source		Pedestrian Signal Head		Distribution Cable #8 AWG (2 Wire)
	2/C #6 AWG (Power)		5-Section Vehicular Signal Head		Video Detection Camera
	(2) - #10 AWG Pole And Bracket Cables		3-Section Vehicular Signal Head		6 PR # 19 AWG (Video Detection Cable)
	Signal Cable, # of Conductors		Pedestrian Pushbutton		
			Luminaire, (Type)		
			Connection of Distribution Cable to Pole and Bracket Arm Connector Kit Fused and Unfused.		

CHAPTER 8: TRAFFIC SIGNAL SIGNS

8.1 General

Only regulatory signs mounted on traffic signal support structures and on span wires are addressed in this document. All sign legends, colors and sizes shall conform to the requirements of the latest edition of the [Ohio Manual of Uniform Traffic Control Devices](#) as well as City of Columbus signing requirements.

8.2 Material Specifications

Signs shall be in accordance with 630 and 730 of the current version of the [City of Columbus Construction and Material Specifications](#) and current revision of [Supplemental Specification 1100](#).

8.3 Sign Mounting

8.3.1 Strain Pole and Signal Support Mounted Signs

With the exception of pedestrian pushbutton signs, signs mounted on strain poles or the vertical portion of signal supports shall have a minimum mounting height of 7 ft. (measured from the pedestrian path to the bottom of the sign). Mounting details shall be consistent with the requirements outlined in [City of Columbus Standard Construction Drawing 4253](#).

8.3.2 Mast Arm Mounted Signs

Mast arm mounted signs shall have a minimum mounting height of 16.5 ft. (17 ft. preferred) above the roadway surface (measured to the bottom of the sign) and shall be mounted per the details provided in [City of Columbus Standard Construction Drawings 4251 and 4252](#).

For free swinging signs, a minimum of 2 sign hanger assemblies shall be used for each mast arm mounted sign, unless otherwise directed by the City.

8.3.3 Span Wire Mounted

Span wire mounted signs shall have a minimum mounting height of 16.5 ft. (17 ft. preferred) above the roadway surface (measured to the bottom of the sign) and shall be mounted per the details provided in [City of Columbus Standard Construction Drawing 4250](#).

A minimum of 2 sign hanger assemblies shall be used for each sign, unless otherwise directed by the City.

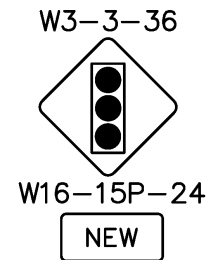
8.4 Signs for New or Modified Traffic Signals

Temporary signage shall be included in the plan when a signal is installed at a previously unsignalized intersection or when the phasing of an existing traffic signal is modified.

8.4.1 New Signal Installation

W3-3 "Signal Ahead" sign and W16-15P "New" supplemental plaque shall be installed on the major street. Use of these signs on the minor street is optional or as directed. These signs shall be placed a distance from the stop line equal to approximately 10 times (measured in feet) the posted speed limit (in MPH). However, the "Signal Ahead" sign with "New" supplemental plaque shall not be placed beyond an adjacent signalized intersection. These signs should be placed on existing poles when available. Signage should not be placed greater than 12 ft. from the edge of pavement.

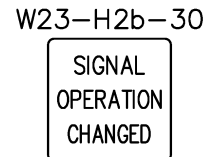
Figure 8.1
Signs, As Per Plan



8.4.2 Modified Signal Phasing Application

When phases are added or modified at an existing signalized intersection, the W23-H2b "Signal Operation Changed" signs should be positioned to be visible to approaching traffic and shall be placed on each leg of an intersection.

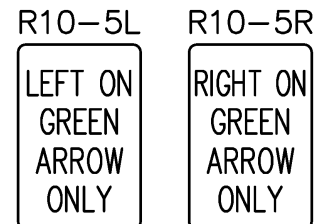
Figure 8.2
Signs, As Per Plan



8.5 Left (Right) On Green Arrow Only (R10-5)

The Left On Green Arrow Only sign (R10-5L, 30 in. x 36 in.) shall be used where traffic signal heads control exclusive left turn movements (protected only phasing). For a single left turn lane, the sign shall be mounted 3 ft. to the right of a 3-section left turn signal head (measured center-to-center). For dual left turn lanes, the sign shall be centered between the 3-section left turn signal heads. For additional placement details, see **Chapter 5**.

Figure 8.3
Left/Right On Green Arrow Only



The Right On Green Arrow Only sign (R10-5R, 30 in. x 36 in.) shall be used where traffic signal heads control exclusive right turn movements (protected

and/or right turn overlap phasing) and the red section of the signal head displays a red arrow. For a single right turn lane, the sign shall be mounted 3 ft. to the left of a 3-section right turn signal head (measured center-to-center). For dual right turn lanes, the sign shall be centered between the 3-section right turn signal heads. For additional placement details, see **Chapter 5**.

8.6 Right Turn Signal (R10-10R)

The Right Turn Signal sign (R10-10R, 30 in. x 36 in.) shall be used where traffic signal heads control exclusive right turn movements (protected and/or right turn overlap phasing) and the red section of the signal head displays a circular red indication (to permit right turn on red after stop). For a single right turn lane, the sign shall be mounted 3 ft. to the left of a 3-section right turn signal head (measured center-to-center). For dual right turn lanes, the sign shall be centered between the 3-section right turn signal heads. For additional placement details, see **Chapter 5**.

Figure 8.4
Right Turn Signal

R10-10R



8.7 No Left Turn (R3-2) / No Right Turn (R3-1)

No Left Turn or No Right Turn signs (24 in. x 24 in. or 36 in. x 36 in., see OMUTCD) shall be placed overhead on mast arms or span wire to indicate turn prohibitions. When used, the signs shall be mounted 3 ft. to the left of the left-most signal head for R3-2 or 3 ft. to the right of the right-most signal head for R3-1. The 3 ft. of separation shall be measured from the center of the sign to the center of the vehicular signal head.

Figure 8.5
No Left/Right Turns

R3-2



R3-1



8.8 One Way (R6-2)

A One-Way sign (24 in. x 30 in. or 30 in. x 36 in., see OMUTCD) shall be used overhead as the supplemental sign to the ground mounted, near right sign at a signalized intersection of one or more one-way streets. The sign should be mounted adjacent to the applicable signal head, 3 ft. to the left of the left-most head for R6-2R and 3 ft. to the right of the right-most head for R6-2L. The 3 ft. of separation shall be measured from the center of the sign to the center of the vehicular signal head.

Figure 8.6
One Way

R6-2L



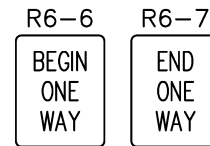
R6-2R



8.9 Begin/End One Way (R6-6, R6-7)

Begin One-Way (R6-6) or End One-Way signs (R6-7) (24 in. x 30 in. or 30 in. x 36 in., see OMUTCD) shall be used overhead to supplement ground mounted one way signage at a signalized intersection where a one-way street transitions to/from a two-way street. For example, at an intersection where the east leg allows for travel in both the eastbound and westbound directions, but the west leg is one-way eastbound, the R6-7 sign shall be mounted overhead facing the eastbound traffic coming from the west leg of the intersection. The sign should be positioned to be visible to approaching traffic for the applicable approaches, preferably centered on the approach.

Figure 8.7
Begin/End One Way

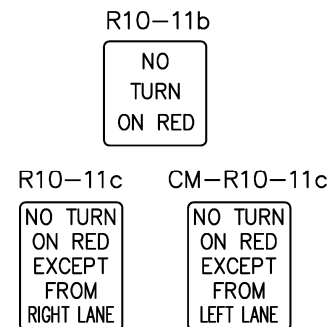


8.10 No Turn on Red (R10-11b, R10-11c, CM-R10-11c)

The No Turn on Red sign (R10-11b) may be used when an engineering study finds that one or more of the following conditions exists:

- Sight distance to vehicles approaching the intersection is inadequate as defined in Section 201.3 (Intersection Sight Distance) of the [Location and Design Manual, Volume 1](#), (L&Dv1) (Ohio Department of Transportation).
- The intersection area has geometric or operational characteristics which may result in unexpected conflicts.
- Significant pedestrian-vehicle conflicts are resulting from right or left turn on turn on red (RTOR / LTOR) movements.
- More than 3 RTOR (LTOR) crashes per year have been identified for the particular approach.
- There is significant crossing activity by elderly and/or mobility impaired.
- At major schools, defined by 20 students per 30 minute crossing period (then day and time restrictions apply).

Figure 8.8
No Turn On Red



The sign shall be placed adjacent to the appropriate signal head, 3 ft. to the right of the right-most head and 3 ft. to the left of the left-most head (whichever is applicable, measured center of sign to center of head).

The No Turn on Red Except (Right, Left) Lane signs (R-10-11c, CM-R-10-11c) shall be used at approaches with more than one right/left turn lane and is placed:

- 3 ft. to the left of the right signal head for R-10-11c
- 3 ft. to the right of the left signal head for CMR-10-11c

(both cases are measured center of sign to center of head)

8.11 Stop Here on Red (R10-6)

A Stop Here on Red (24 in. x 36 in.) may be used to indicate to drivers the appropriate location to stop for actuating the signal when the front edge of the detector (with either timed delay and/or in non-lock mode) is more than 15 ft. from the curb line extension. See **Chapter 9** for additional details.

Figure 8.9
Stop Here On Red

R10-6



The sign post should be centered on the stop line and placed as close as possible to 3 ft. behind the curb or 6 ft. off of the edge of pavement.

8.12 No Ped Crossing (R9-3) and Use Crosswalk (R9-3bP)

The No Ped Crossing sign (24 in. x 24 in.) shall be used at corners of intersections where pedestrian crossings are prohibited. The signs shall be placed at the opposite side of the street and facing the pedestrian where they would normally attempt to cross.

Figure 8.10
No Ped Crossing Signs

R9-3



R9-3bP



R9-3bP



If a crossing exists at another leg of the intersection, or at an adjacent intersection, the "Use Crosswalk" R9-3bP (18 in. x 12 in.) plaque shall be placed under the No Ped Crossing sign and shall have an arrow directing pedestrians to the nearest crossing.

8.13 Pedestrian Pushbutton Signs (R10-3a(R), R10-3a(L), CM-R10-3a and CM-R73C.03)

Applications of pedestrian pushbutton signs are detailed in **Chapter 6**.

8.14 Bicycle Signal Actuation (R10-22)

Bicycle actuation signs R10-22 (12 in. 18 in.) should be used to supplement bicycle detector markings that identify the location where a bicyclist is to be positioned to actuate a traffic signal.

Figure 8.11
Bicycle Actuation



8.15 LED "Blank-out" Signs

Blank-out signs may be used instead of static signs with approval from the City of Columbus, City Engineer or appointed designee. Application examples include turn prohibitions (NO TURN ON RED) and vehicle preference (BUS LANE) that are effective only at certain times during the day or during one or more portions of a particular traffic signal cycle. The sign shall be placed over or adjacent to the appropriate lane without interfering with the signal heads.

CHAPTER 9: VEHICLE DETECTION

9.1 Vehicle Detection

Vehicle detection shall comply with the material requirements and installation methods outlined in Sections 632 and 732 of the current version of the [City of Columbus Construction and Material Specifications](#) and current revision of [Supplemental Specification 1100](#).

Materials shall also be in accordance with the City of Columbus [Qualified Products List](#).

Loop detector, detection zone, and detection area terms have all been used to describe vehicle detection components detailed within. The term “loop” is in reference to an inductive loop, “detection zone” references a detection method other than inductive loop detection application and “detection area” is used when referencing to either a loop or a detection zone.

9.2 Vehicle Detection Types

9.2.1 Video Detection

Video detection is the City’s preferred method for vehicle detection and should be used when practical.

Video detection shall be used for the following applications:

- Detection located on a bridge deck or bridge approach slab.
- Detection located in brick areas.
- Detection that spans a joint between different pavement compositions.
- Detection in paved areas with less than 6.0 in. of total pavement composition (asphalt or concrete).

9.2.2 Inductive Loop Detection

Inductive loop detection may be used for the following applications:

- At new signalized intersections when the use of video detection is not required as outlined above.
- Modification to an existing signalized intersection where loops already exist.

9.2.3 Other Detection Technologies

Other detection technologies are currently being tested by the City of Columbus. Additional information will be published when available.

The designer may propose the use other detection technologies. Their use must be approved by the City of Columbus, City Engineer or appointed designee, prior to plan approval.

9.3 Vehicle Detection Application

9.3.1 Video Detector Mounting

Video detectors should be mounted on an aluminum or steel truss-type bracket arm unless otherwise approved by the City of Columbus, City Engineer or appointed designee. Bracket arms shall be 25 ft. or 30 ft. in length, consistent with the details furnished on the [City of Columbus Standard Construction Drawings 4110](#).

The video detector location and mounting height shall be designed to prevent visual obstructions caused by adjacent vehicles. The preferred mounting location is on the opposite side of the cross street facing approaching traffic.

9.3.2 Inductive Loop Installation

The loop cable may emerge from the loop at either a corner or perpendicular from the side. If multiple loops are used, the loop lead tails may not cross or otherwise conflict with an adjacent loop. The saw slots must maintain a minimum 1 ft. separation between loop tails to the pull box. The loop(s) and associated pull box shall be positioned to minimize the distance between them. When two or more loops are installed on an approach, each set of loop wires shall be in separate slots. [City of Columbus Standard Construction Drawings 4300](#) provides installation details.

Presence loops shall have 3 turns and advance/dilemma zone loops shall have 4 turns.

Loop wires shall not cross a concrete/asphalt/brick boundary such as a bus pad/roadway, private drive/approach area or any other location with a pavement transition. The loop wires shall be entirely contained within one type of pavement material. If this cannot be achieved, the use of video detection shall be required.

Quadrupole loop design shall be used when the width of the loop detector ranges between 6 ft. and 10 ft. The maximum quadrupole loop width is 10 ft. (5 ft. x 5 ft.). If a wider loop is needed, 2 separate loops shall be used in lieu of a quadrupole loop.

Each loop shall be placed on a separate detector channel and have its own lead-in cable.

Inductive loops shall maintain a minimum of 1 ft. separation from obstructions in the lane including water valves, sewer manhole lids, pull box lids, etc.

9.3.3 Vehicle Detection Area

9.3.3.1 Presence Detection

Presence detection widths shall be as listed in **Table 9.1**. Maximum loop width for non-quadrupole loop is 6 ft. The maximum loop width for a quadrupole loop is 10 ft.

Detection areas shall be centered in the lane and maintain a minimum of 2.5 ft. from an adjacent lane to avoid false calls.

Table 9.1
Presence Detection Width

Lane Width "w" (ft.)	Presence Detection Width (ft.) (Loop)	Presence Detection Width (ft.) (Zone)
$10 \leq w < 11$	5.0	5.0
$11 \leq w < 12$	5.5	5.5
$12 \leq w < 13$	6.0	6.0
$13 \leq w < 14$	3.5 - 3.5 (Q)	7.0
$14 \leq w < 15$	4.0 - 4.0 (Q)	8.0
$15 \leq w < 16$	4.5 - 4.5 (Q)	9.0
$16 \leq w < 17$	5.0 - 5.0 (Q)	10.0
$w \geq 17$	Use Two Loops	Use Two Zones

(Q) = Quadrupole loop

The detection area should extend to within 15 ft. of the crossing street's extension of the face of curb/edge line as illustrated in **Figures 9.1 to 9.4**. However, a maximum inductive loop length of 35 ft. and detection zone length of 40 ft. shall be maintained. In order to accommodate unique intersection geometry and maintain 20 ft. behind the stop line, the 15 ft. buffer may be increased.

9.3.3.2 Advanced Detection

Advanced detection shall be provided with square/rectangular detection areas. The dimension of the area shall be as specified in **Table 9.2**.

Table 9.2
Advanced/Dilemma Detection Size

Lane Width "w" (ft.)	Presence Detection Length x Width (ft.)
$10 \leq w < 11$	5.0 x 5.0
$11 \leq w < 12$	5.5 x 5.5
$12 \leq w < 13$	6.0 x 6.0
$13 \leq w < 14$	6.0 x 7.0
$14 \leq w < 15$	6.0 x 8.0
$15 \leq w < 16$	6.0 x 9.0
$16 \leq w < 17$	6.0 x 10.0
$w \geq 17$	Use Two Areas

Detection areas shall centered in the lane and maintain a minimum of 2.5 ft. from an adjacent lane to avoid false calls.

9.3.4 Vehicle Detection Delay Settings

Delay settings for individual detection areas shall be specified to prevent false calls for an individual phase and to minimize calling a side street phase for right turn on red traffic. **Table 9.3** summarizes typical delay settings. Delay set on loop detector unit for inductive loop and in controller for video detection.

Table 9.3
Recommended Detector Delay Settings

	Detector Delay Setting (Sec.)
Exclusive right turn lane	12
Shared through/right lane	5-8
Exclusive through lane	0
Exclusive through lane (adjacent to opposing lane of traffic)	3
Shared through/left lane (adjacent to median)	0
Shared through/left lane (adjacent to opposing lane of traffic)	3
Exclusive left turn lane (adjacent to median)	0
Exclusive left turn lane (adjacent to opposing lane of traffic)	3
2nd car left turn phase detection	3
Advanced detection	0
Dilemma zone detection	0

9.3.5 Side Street Detection

Presence detection for side streets shall be set to “Non-Lock”.

Detection areas shall extend from a point 20 ft. behind the stop line to a point to within 15 ft. of the extension of the cross street edge of pavement/face of curb. **Figures 9.1, 9.2 and 9.3** illustrate side street detection area requirements. If the 15 ft. distance between the curb line or edge of pavement and the front of a detection area cannot be maintained, a R10-6 (STOP HERE ON RED) sign may be used with approval from the City of Columbus, City Engineer or appointed designee. See **Chapter 8** for additional details.

FIGURE 9.1
Side Street Detection
Case A

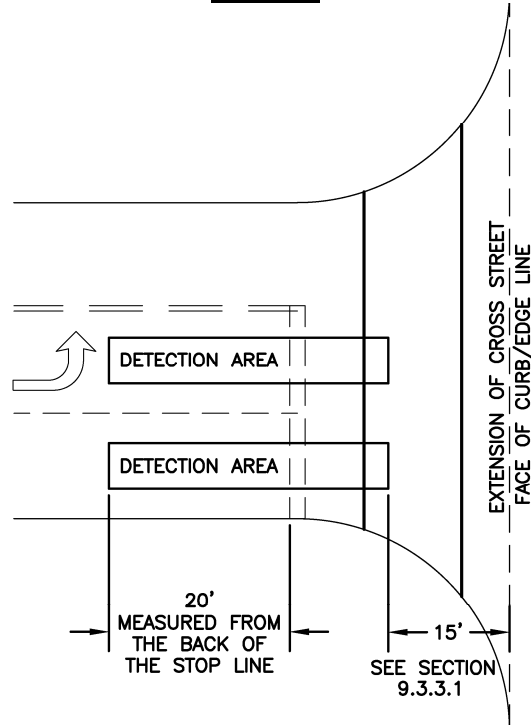


FIGURE 9.2
Side Street Detection
Case B

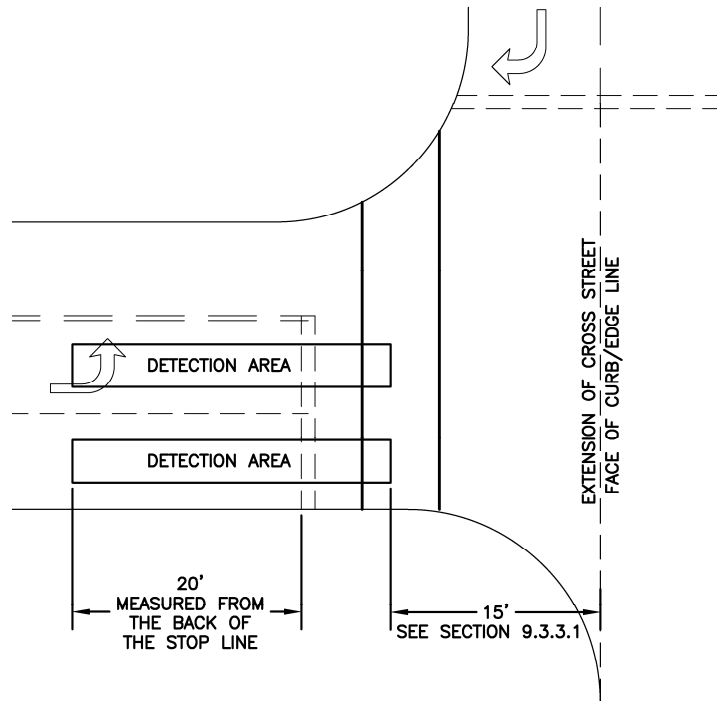
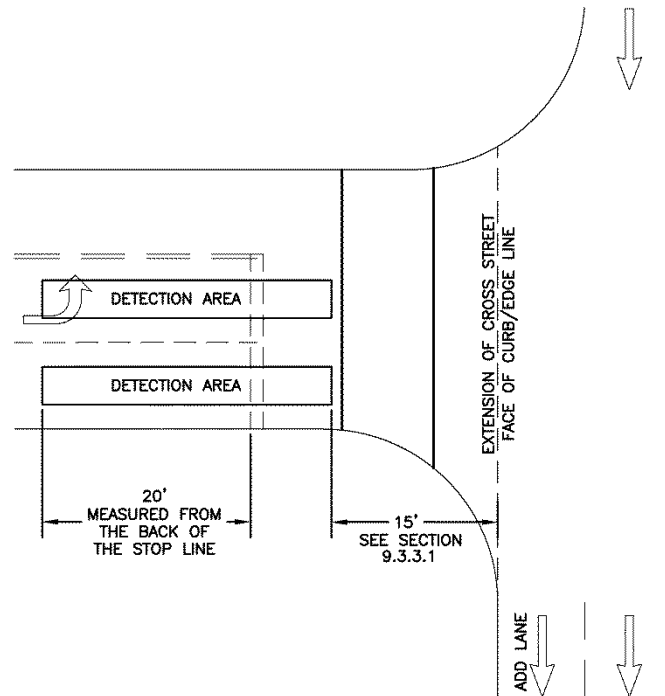


Figure 9.3
Side Street Detection
Case C



9.3.6 Left Turn Detection

9.3.6.1 Major Street Protected Only Left Turn

Left turn detection shall be positioned at the stop line per the requirements outlined for side street detection in **Section 9.3.5**.

Phase shall be set to "Memory On" or "Lock".

9.3.6.2 Major Street Protected / Permissive Left-Turn

With protected / permissive left turn phasing and the major street through phase set to recall, second car detection should be used to activate the associated left turn phase as illustrated in **Figure 9.5**.

Detection shall be set to "Memory Off" or "Non-Lock".

For second car detection, the front of the detection area shall be 25 ft. from the back of the stop line and 25 ft. in length.

9.3.6.3 Major Street with no left turn phase

If a dedicated left turn lane is provided without a protected only or protected/permissive left turn phase, 2nd car detection shall be provided and connected to the adjacent through phase. Second car detection is illustrated in **Figure 9.5**.

9.3.6.4 Side Street Protected Only Left Turn

Left turn detection shall be positioned at the stop line per the requirements outlined in **Section 9.3.5**.

Detection shall be set to “Memory On” or “Lock”.

9.3.6.5 Side Street Protected / Permissive Left-Turn

Two detection areas shall be used to call the associated phases as illustrated in **Figure 9.4**. One detection area shall be placed at the stop line consistent with the requirements of **Section 9.3.5** to call the side street through phase. A second detection area shall be positioned 25 ft. from the back of the stop line to call the protected left turn phase. This second detection area shall be 25 ft. in length.

Figure 9.4
Side Street Left Turn Detection For Protected / Permissive Left-Turn

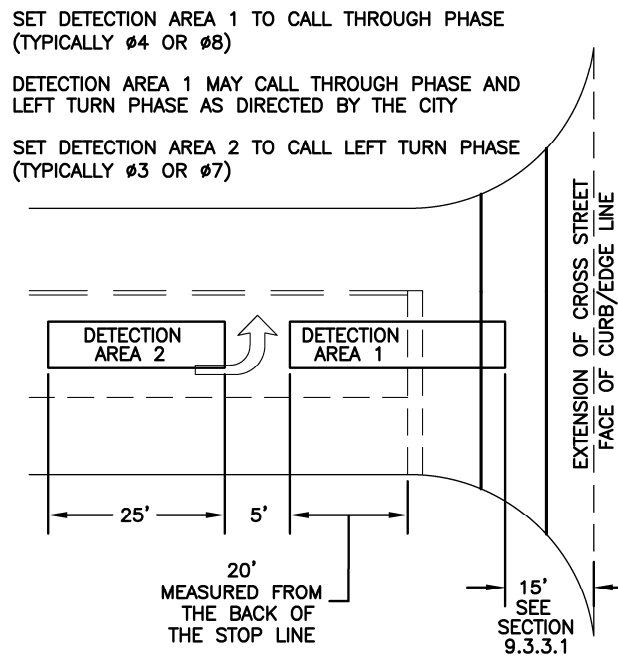
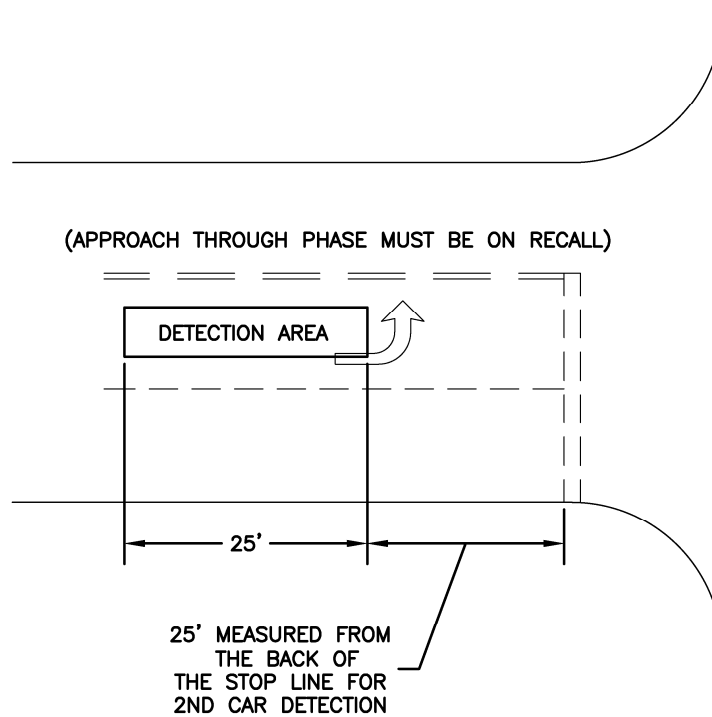


Figure 9.5
Major Street Left Turn Detection For Protected / Permissive Left-Turn



9.3.7 Advanced Detection

Advanced detection should be used to call/extend the major street through phase.

For roadways with a posted speed limit of 35 miles per hour or less, advanced detection shall be placed at 110 ft. from the back of the stop line.

Advanced detection is only used in actuated signal systems. Where the signal system operates on fixed time, (i.e. downtown), advanced detection shall not be used. **Table 9.4** provides detector locations and **Figure 9.6** details the application of advanced detection placement.

9.3.8 Dilemma Zone Detection

Dilemma zone detection should be used to provide drivers adequate time to make a decision whether to stop or continue through the intersection when the yellow indication is displayed.

Dilemma zone protection is only used in actuated signal systems. Where the signal system operates on fixed time (i.e. downtown), dilemma zone

protection should not be used. **Table 9.4** provides detector locations and **Figure 9.6** details the application of dilemma zone detection.

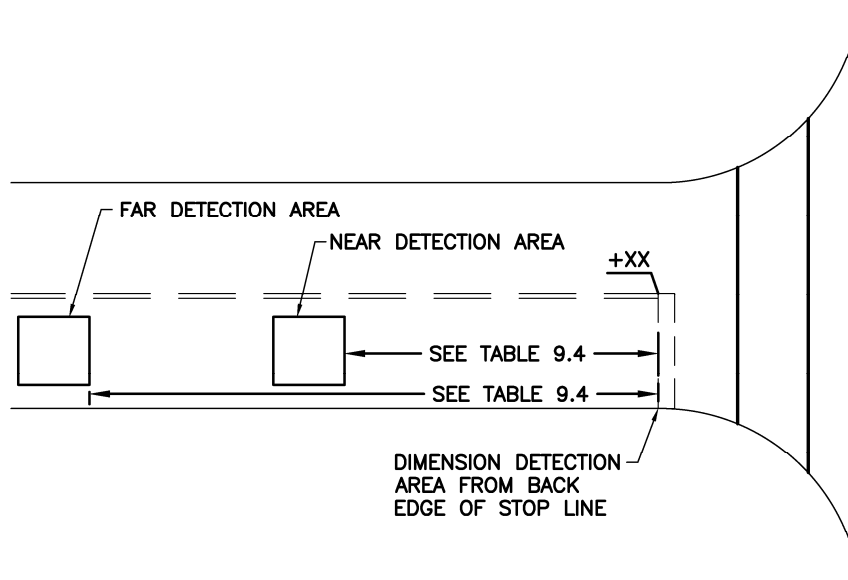
Dilemma zone protection is generally used when the posted speed is 40 miles per hour or greater and should accommodate vehicle speeds ranging from 35 miles per hour to the posted speed limit.

Table 9.4
Advanced/Dilemma Zone Detector Locations

Posted Speed Limit (mph)	Near Detector Location (ft.)	Far Detector Location (ft.)
35 or less	110	N.A
40	110*	293
45	110*	330
50	110*	367
55	110*	403

* Major street only

Figure 9.6
Advanced/Dilemma Zone Detection



9.3.9 System Detection

Intersection detection areas should be identified with a system detection identifier when they are also used as system detectors in a closed loop coordinated signal system. Identifiers shall be assigned based on the following guidelines. Examples are also illustrated in the **Section 9.4** plan details.

- “EXP #” shall be assigned to advanced detection areas.
- A(1) through D(2) shall be assigned to presence detection areas.
- Assign values south to north and west to east, starting with the major street.
- The City will furnish guidance on which intersection detectors will also be designated as system detection areas.

9.3.10 Bicycle Detection

All newly installed detection areas shall reliably detect bicycles.

Video detection is the preferred bicycle detection method.

Bicycle Detector Markings shall be used when a bicycle needs to actuate a traffic signal phase in order to proceed through an intersection. Bicycle detection markings are not used for right turn only lanes when right turn on red is permitted. Bicycle detection markings are not used for second vehicle detection.

Bicycle detector markings are used to assist a bicyclist (or motorcyclist) with identifying the most likely location to actuate a traffic signal phase. Bicycle marking locations identified shall be used to reduce the likelihood of a motor vehicle attempting to overtake a stopped cyclist. As detailed in **Section 8.14**, bicycle detection markings shall be accompanied by a R10-22 Bicycle Detector Sign.

Placement guidelines are detailed on [City of Columbus Standard Construction Drawing 4301](#).

Bicycle Only Loop Detector

- When permitted by **Section 9.2** a dedicated bicycle only loop detector may be used only at the direction of the City of Columbus, City Engineer or appointed designee for bike lane, cycle track or bike box applications. Bicycle only loop detection is detailed on [City of Columbus Standard Construction Drawing 4300](#). Bicycle detector markings shall be as detailed in the [Ohio Manual of Uniform Traffic Control Devices](#).

9.4 Detection Plan Components

Each detection area shall be clearly shown on the plan and labeled with an identification number. Station information shall be provided detailing the location of each detection area.

9.4.1 Detection Identification Numbers

Detection area identification numbers shall be assigned based on the associated signal phase. A detection area assigned to phase 6 should be numbered Z6. If more than one detection area is assigned to phase 6, detection areas shall be numbered Z6a, Z6b, Z6c, Z6d, etc. Letter assignment shall be applied from the inside lane to the outside lane and then from the stop line extending away from the intersection. Use “Z” for zones and “L” for loops. Examples are provided on the sample plan sheets published by the City of Columbus, Department of Public Service, [Sample Plan Sheets](#).

9.4.2 Detection Chart

A vehicle detection chart shall be provided specifying: detection area identification number, size, phase, delay, type, and unit/channel (standard 2 channels) information. Detector chart examples are provided in **Tables 9.5, 9.6, 9.7 and 9.8**.

- These charts are only examples. Each detector chart must be customized to reflect the need of the project.
- The SYSTEM DETECTOR column shown in **Table 9.8** shall only be used if the signal is part of a closed loop system. Not all detection areas will be assigned a value. See **Section 9.3.9**.
- Abbreviation definitions:
 - N – near; M – middle; F – far; L- left; R - right
 - EBLT (F) and WBLT (F) - 2nd-vehicle detection areas when a first vehicle detection area EBLT and WBLT are assigned to the through phase.

Table 9.5
Detection Chart – Example #1
(Video Detection)

Detector (#)	Camera (#)	Phase	Detection Zone Size (W' x L')	Presence	Delay Data	
					Delay (Sec.)	Inhibit Delay During Green (Phase)
Z6	1	Ø 6	8' x 2'	X	---	---
Z1	1	Ø 1	5' x 25'	X	3	Ø 1
Z5	2	Ø 5	5' x 25'	X	3	Ø 5
Z2	2	Ø 2	8' x 2'	X	---	---
Z4a	3	Ø 4	5' x 40'	X	3	Ø 4
Z4b	3	Ø 4	5' x 40'	X	5	Ø 4
Z8a	4	Ø 8	5' x 40'	X	3	Ø 8
Z8b	4	Ø 8	5' x 40'	X	5	Ø 8

Table 9.6
Detection Chart – Example #2
(Inductive Loop Detectors)

Detector (#)	Detector Assignment		Phase	Loop Size (W' x L')	Loop Delay Data		Detector Unit Rack & Cable Label
	Unit (#)	Channel (#)			Delay (Sec.)	Inhibit Delay During Green (Phase)	
L1a	1	1	Ø 1	6' x 6'	---	---	SB (R)
L1b	1	2	Ø 1	6' x 6'	---	---	SB (L)
L4	2	1	Ø 4	5' x 25'	3	Ø 4	SBLT
L1c	2	2	Ø 1	6' x 6'	---	---	NB (L)
L1d	3	1	Ø 1	6' x 6'	---	---	NB (R)
L3a	3	2	Ø 3	5' x 30'	12	Ø 3	WBRT
L3b	4	1	Ø 3	5' x 31'	3	Ø 3	WBLT

Table 9.7
Detection Chart – Example #3
(Inductive Loop Detectors and Video Detection)

Detector (#)	Detection Type	Camera (#)	Detector Assignment		Phase	Detection Area Size (W' x L')	Loop Delay Data		Presence	Detector Unit Rack & Cable Label
			Unit (#)	Channel (#)			Delay (Sec.)	Inhibit Delay During Green (Phase)		
Z6	Video	1	---	---	Ø 6	8' x 2'	---	---	X	---
Z1	Video	1	---	---	Ø 1	5' x 25'	3	Ø 1	X	---
Z5	Video	2	---	---	Ø 5	5' x 25'	3	Ø 5	X	---
Z2	Video	2	---	---	Ø 2	8' x 2'	---	---	X	---
L4a	Loop	---	1	1	Ø 4	5' x 35'	3	Ø 4	X	SBLT
L4b	Loop	---	1	2	Ø 4	5' x 35'	5	Ø 4	X	SB
L8a	Loop	---	2	1	Ø 8	5' x 35'	3	Ø 8	X	NBLT
L8b	Loop	---	2	2	Ø 8	5' x 35'	5	Ø 8	X	NB

Table 9.8
Detection Chart – Example #4
(Inductive Loop Detectors in a Closed Loop System)

Detector (#)	Detector Assignment		Phase	System Detector	Loop Size (W' x L')	Loop Delay Data		Detector Unit Rack & Cable Label
	Unit (#)	Channel (#)				Delay (Sec.)	Inhibit Delay During Green (Phase)	
L2b	1	1	Ø 2	EXP 3	6' x 6'	---	---	SB (R)
L2a	1	2	Ø 2	EXP 4	6' x 6'	---	---	SB (L)
L5	2	1	Ø 5	A2	5' x 25'	3	Ø 5	SBLT
L1	2	2	Ø 1	A1	5' x 25'	3	Ø 1	NBLT
L6a	3	1	Ø 6	EXP1	6' x 6'	---	---	NB (L)
L6b	3	2	Ø 6	EXP2	6' x 6'	---	---	NB (R)
L8a	4	1	Ø 8		5' x 29'	3	Ø 8	EBLT (N)
L8b	4	2	Ø 8	C1	5' x 29'	5	Ø 8	EB
L3	5	1	Ø 3	B1	5' x 25'	3	Ø 3	EBLT (F)
L4c	5	2	Ø 4	C2	5' x 30'	5	Ø 4	WBRT
L4b	6	1	Ø 4	D1	5' x 34'	3	Ø 4	WB
L4a	6	2	Ø 4		5' x 35'	3	Ø 4	WBLT (N)
L7	7	1	Ø 7	B2	5' x 25'	3	Ø 7	WBLT (F)

CHAPTER 10: POWER SERVICE

10.1 Power Source

Traffic signal power shall be 120VAC, single phase. Power should be provided by the most accessible source and may be provided by the City of Columbus Division of Power, the American Electric Power Company (AEP), or the South Central Power company. If power can be provided by the City of Columbus Division of Power and another power company, the City of Columbus Division of Power source should be used. Contact information for each power company is listed below:

Columbus Division of Power

3500 Indianola Avenue
Columbus, Ohio 43214

Business Manager

Office: (614) 645-7216

American Electric Power Company (AEP)

850 Tech Center Drive
Gahanna, Ohio 43230

Joint Use Coordinator

Office: (614) 883-6983

Business Services Representative

Office: (614) 883-7935

South Central Power Company

10229 Busey Road
Canal Winchester, OH 43110

Business Services Representative

Office: (800) 282-5064

Documentation of approval for the available power source shall be provided by the power company and furnished to the City of Columbus before plans are signed. This documentation may be an e-mail from the power company providing conformation or identification of a power source.

The power connection point shall be as close as practical to the proposed traffic signal cabinet.

A disconnect switch shall not be used and the power service shall not be metered when power is provided by the City of Columbus Division of Power or the American Electric Power company. A meter shall be specified when power is provided by South Central Power.

10.2 Overhead Power Service

Traffic signal service/power cable shall be routed directly between the power source and the traffic signal cabinet.

When a ground mounted traffic signal cabinet is used, overhead power service shall drop down a utility pole and be routed underground to the traffic signal cabinet. This cable shall not enter any pull box or conduit that contains any other signal cables, nor enter a traffic signal pole/pedestal.

When a pole mounted traffic signal cabinet is used, overhead power service shall drop down the same strain pole in an external conduit riser and enter the bottom of the cabinet. Power cable shall not be placed inside the strain pole. Reference is made to [City of Columbus Standard Construction Drawings 4052](#). Conduit risers used for traffic signal power cables shall not be used on mast arm structures.

Service cable shall be installed a minimum of 1 ft. above the traffic signal cable/messenger wire. It shall not be combined with other aerial traffic signal or interconnect cables.

Service cable shall be 2-conductor and as specified in the [City of Columbus Construction and Material Specifications](#), Table 732.19-1. A minimum of 6 AWG cable shall be specified.

10.3 Underground Power Service

Traffic signal power cable shall be routed directly between the power source and the traffic signal cabinet. This cable shall not enter any pull box or conduit that contains any other signal/interconnect cables nor enter a traffic signal pole/pedestal.

See **Section 13.4.2** for conduit requirements.
See **Section 13.7.5** for pull box requirements.

Power cable shall be 2-conductor, copper as detailed in the [City of Columbus Construction and Material Specifications](#), Table 732.19-1. A minimum of 8 AWG shall be specified.

10.4 Power Service - Plan Components

The power source location including the pole or transformer number with station/offset shall be clearly identified on the traffic signal plan.

The wiring diagram shall detail the power service connection requirements. Examples are provided in **Figure 7.5** and **7.6**.

10.5 Voltage Drop

Upon request by the City of Columbus, voltage drop from the power source to the furthest traffic signal or combination lighting load shall be calculated and submitted for review/approval. Voltage drop shall not be permitted to exceed 5 percent.

Voltage drop shall be calculated based on the use of L.E.D. bulbs. **Table 10.1** lists common wattages associated with traffic signal components.

Wattages listed for traffic signal cabinets are based on a typical installation, use of special equipment must be accommodated in the voltage drop calculations.

Table 10.1
Typical Wattage

	Typical Wattage
3 - Section 12 in. head	13
3 - Section 8 in. head	12
4 - Section 12 in. head	25
5 - Section 12 in. head	25
Pedestrian Signal Head	21
4 - Phase Control Cabinet	240
8 - Phase Control Cabinet	300
UPS	1920
Video camera w/ heater	27
Luminaire	per plan

10.5.1 Voltage Drop Equations

$$\text{Amps} = \text{watts/volts}$$

$$\text{Voltage Drop} = \frac{(2 \times R \times L \times i)}{1000}$$

Where:

R = Wire resistance per 1000 ft.
@ 75 degrees C. (See NEC,
(Chapter 9, Table 9). (Ω))

L = one way length (ft.)

i = current draw (amps)

CHAPTER 11: CONTROLLER / CABINET

11.1 Traffic Signal Controller / Cabinet

Traffic signal controller and cabinet equipment shall be furnished in accordance with Sections 633 and 733 of the current version of the [City of Columbus Construction and Material Specifications](#) and current revision of [Supplemental Specification 1100](#).

Materials shall also be in accordance with the City of Columbus [Qualified Products List](#).

11.1.1 Traffic Signal Controllers

Controllers used for City of Columbus maintained intersections shall be NEMA (National Electrical Manufacturers Association) TS-2, Type 2 and shall be fully compatible with both NEMA TS-1 and NEMA TS-2 cabinets.

11.1.2 Traffic Signal Cabinets

Cabinets shall be 4 or 8 phase, NEMA TS-1. Use of a 2 phase cabinet or more than 8 phases requires advanced approval from the City of Columbus, City Engineer or appointed designee. Intersection phasing shall be per **Section 15.2**.

Cabinets with 4 or 8 phases shall be wired to accommodate each phase even if there are unused phases. Cabinet wiring for both planned and future phases shall correlate with the phasing schematics illustrated in **Figures 15.2** through **15.24**. Each phase shall have at least one detector unit harness installed (used or unused) at the time of installation. Notes shall be added to the plan clearly denoting these requirements.

Cabinets shall be base mounted unless otherwise authorized by the City of Columbus, City Engineer or appointed designee.

If a pole mounted cabinet is permitted by the City Engineer or when a pole mounted cabinet is existing, the cabinet overhang shall be checked. Any extension over the pedestrian pathway in excess of 4 in. shall be considered a violation. Under these conditions the cabinet should be relocated, base mounted or the overhang shall be mitigated with an approved strategy.

11.1.2.1 Traffic Signal Cabinet Sizes

Dimensions listed below are approximate and may vary slightly between different manufacturers.

4 Phase, base mounted "M36" Door Opening	= 50"H x 36"W x 17"D = 39"H x 33.5"W
4 Phase, base mounted "P44" Door Opening	= 55"H x 44"W x 26"D = 44 H x 41.5"W
8 Phase, base mounted "P44" Door Opening	= 55"H x 44"W x 26"D = 44 H x 41.5"W
8 Phase, base mounted "P-UPS"	= 55"H x 60"W x 26"D or =57"H x 58"W x 29"D

A M36 cabinet should only be used when there are less than 12 channels of detection and a P44 cabinet will not physically fit, or there is a need to maintain additional sidewalk clearance.

11.1.2.2 Traffic Signal Cabinet Placement

The following factors shall be considered when determining a location for a proposed traffic signal cabinet. Evaluation of these design elements should be reviewed during the pre-design field meeting. City of Columbus approval of proposed cabinet location is recommended prior to plan development.

1. The location should provide a safe location for maintenance staff to park and access the cabinet. Accommodations should be in City right-of-way.
2. The cabinet should be located in an area that provides the most protection from damage by errant vehicles. Cabinets shall be located in accordance with Section 600.2, (Clear Zone) of the [Location and Design Manual, Volume 1](#), (L&Dv1) (Ohio Department of Transportation). For cabinet placement, the operational offset outlined in [L&Dv1](#), section 600.2.3 shall be increased from 1.5 ft. to 3 ft. for all traffic signal cabinets.

3. The cabinet shall be positioned to allow the door to fully open. The location shall allow adequate clearance from an adjacent structure to permit unobstructed access for maintenance staff and maintenance equipment. Maintenance staff shall not be required to stand too close or within the roadway.
4. The cabinet shall be positioned to allow maintenance personnel to view the inside of the cabinet and the intersection at the same time.
5. The location should provide convenient/direct access for traffic signal power. Additional power connectivity requirements are provided in **Chapter 10**.
6. The location should provide convenient/direct access for traffic signal interconnect.

11.1.3 Cabinet Foundation

Cabinet foundations shall be shown to scale on the plans and per [City of Columbus Standard Construction Drawing 4162](#).

11.2 Uninterruptible Power Supply

Uninterruptible Power Supply (UPS) equipment shall be furnished in accordance with Sections 633 and 733 of the current version of the [City of Columbus Construction and Material Specifications](#) and current revision of [Supplemental Specification 1100](#).

Uninterruptible Power Supplies shall only be specified when directed by the City of Columbus. When used, detailed specifications should be obtained from the City of Columbus.

11.2.1 UPS Cabinet Foundation

Cabinet foundations and work pads shall be per [City of Columbus Standard Construction Drawing 4162](#). The work pad shall be sized to accommodate both the main controller cabinet door as well as the UPS auxiliary door.

CHAPTER 12: INTERCONNECT

12.1 Traffic Signal Interconnect

Signal interconnect system design and components shall be furnished in accordance with Sections 632 and 732 of the current version of the [City of Columbus Construction and Material Specifications](#) and current revision of [Supplemental Specification 1100](#).

Materials shall also be in accordance with the City of Columbus [Qualified Products List](#).

This chapter serves to describe the design methodology and equipment specifications required to maintain and expand the various communications networks that comprise the City of Columbus Traffic Signal System (CTSS).

In an effort to optimize the traffic signal operation throughout the region, maximize vehicle throughput, and minimize delay to motorists, different systems are used to interconnect traffic signals and/or provide the ability to be remotely monitored and configured. Traffic signals operation personnel based at the Columbus Traffic Management Center (TMC) use the CTSS central control system to monitor traffic flow and signal operations and are able to adjust signal timing configurations in order to alleviate traffic congestion due to morning and evening peak traffic patterns, freeway incidents, or other events. Additionally, the CTSS is a regional system including systems operated by multiple agencies in the Central Ohio area and is capable of supporting access to remote users.

The CTSS is comprised of a central control system connected to signalized intersections using a hybrid communications network structure (serial and IP Based Ethernet via coaxial Radio Frequency (RF), fiber optic, copper, and wireless infrastructure), a closed loop system, various time based coordinated (TBC) corridors and independent signals.

A multi-phase regional upgrade of the CTSS is underway, which will install a new central control system and construct Ethernet networks using fiber optic and wireless communications infrastructure. The current system in use today is a Modern Traffic Control System (MTCS) software package based on the Urban Traffic Control System (UTCS) software that was developed by the FHWA in the 1970's. The new infrastructure and system will allow the CTSS to support Intelligent Transportation Systems (ITS) functions, and develop an "open architecture" that will simplify future system expansion and maintenance.

12.2 Interconnect General Notes Sheet

Interconnect general note sheets shall contain notes including standard reference notes, project specific notes, and interconnect "As Per Plan" notes.

12.3 Advance Notification

It is critical that the appropriate City department(s) and any other stakeholder of a regional traffic signal or other facility utilizing any part of the CTSS interconnect system be provided, at minimum, two weeks advance notice prior to any project work that may affect the performance of the interconnect system.

Upon receiving notification, the affected parties may require that countermeasures be taken in order to mitigate downtime and disruption of services to motorists or customers of their respective systems. This may include the design of relocation and installation of temporary CTSS infrastructure to maintain network communications.

12.4 Broadband RF System Design

12.4.1 System Overview

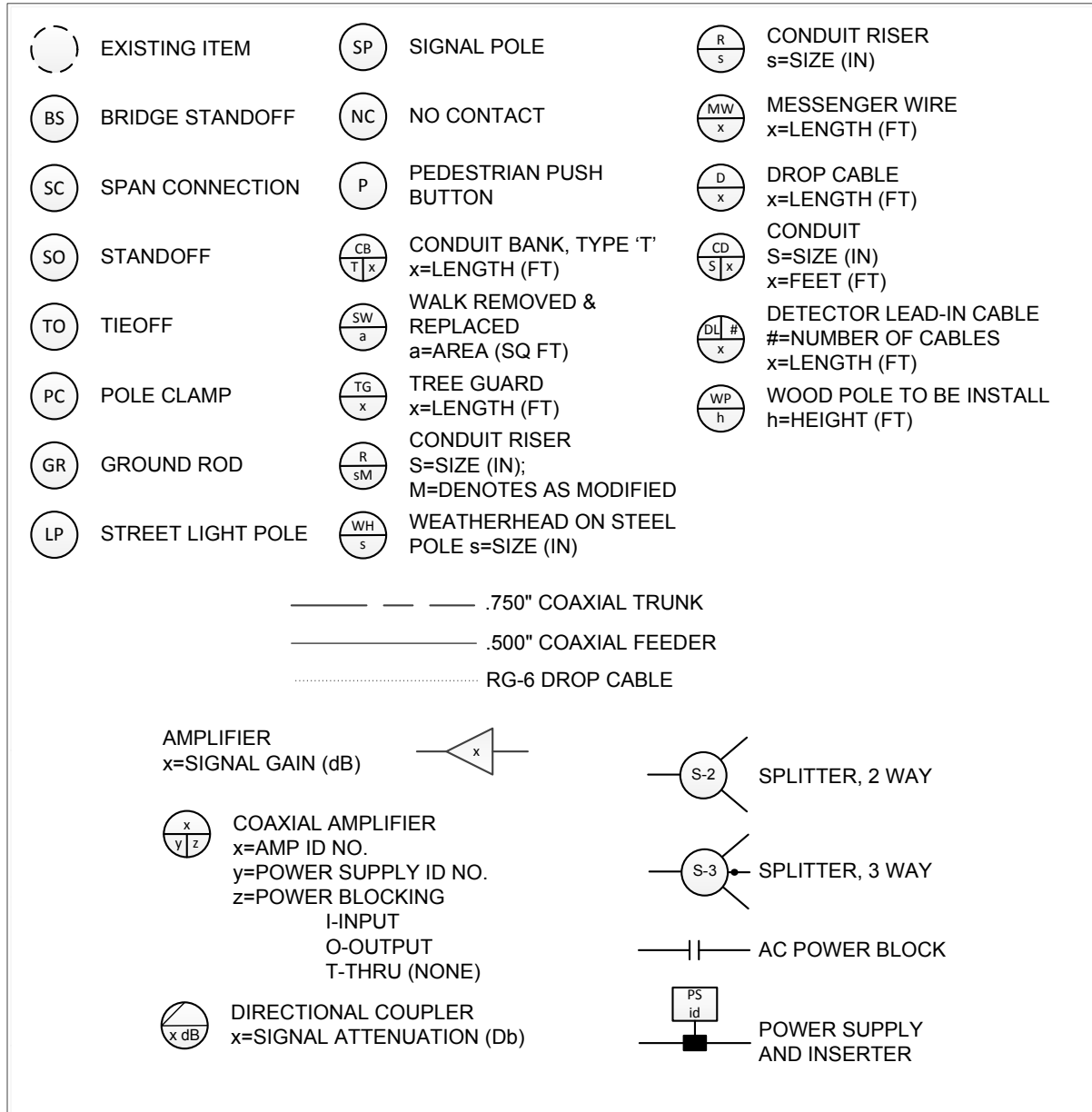
The existing RF communications network connects traffic signals and flow monitors to the central system software using principals that closely resemble a cable television distribution system, only the flow of data is generated in the field and sent towards the head end.

The RF system is constructed using a combination of unpowered passive devices - splitters, directional couplers, and various connections - along with powered active devices - amplifiers, power supplies, and pilot generators - installed between various types of coaxial interconnect cable to communicate with signalization equipment in the field.

12.4.2 Existing System Connections

To establish a consistent level of quality and maintain the integrity of the existing system, the City will furnish and install all “F” connectors, for both new and existing coaxial cable systems. The contractor is responsible for the furnishing and installation of all other proposed coaxial cable system connections.

Figure 12.1 Typical Interconnect Plan Symbol Legend



12.4.3 Coaxial System Components

Refer to **Figure 12.1** for symbol legend.

12.4.3.1 Cable

Although the specific type of cable is dictated by the location and method of installation, several types of coaxial cables generally used are:

- Trunk cable - Serves as the back haul and is installed between active and passive devices along the cable “trunk”, and is not directly connected to signal equipment.
- Feeder cable - Used to “branch” out to the signalized intersection from a passive device, but is not directly connected to signal equipment (although cable may at times physically pass through controller cabinet).
- Drop cable - Installed between the “F” connector from the feeder cable and into the communication unit in the traffic signal controller cabinet.

All coaxial cable to be installed shall be continuous and free of splices between equipment. Mid-run cable splices are not acceptable under any circumstance.

Coaxial cable pay items include lashing wire, hangers, connectors, and any other accessories required to properly install the coaxial cable.

The design type and size of coaxial cable is to be determined by its proposed application, as shown in Table 12.1 . Refer to [Qualified Products List](#) for approved coaxial cable products and specifications.

For underground installations, the outer jacket of the cable shall include a colored tracer to identify the communications trunk and/or distinguish between a trunk or feeder. The tracer shall be identified on both the plan sheet callouts and on the coaxial interconnect wiring diagram. Refer to Table 12.2 for tracer color information. Unless otherwise instructed by City, solid black outer jackets are to be used on all overhead cables. Under special circumstances, such as a location where multiple overhead trunk cables are lashed together, an overhead cable colored tracer may be required.

Table 12.1
Coaxial Cable Types by Application

	Cable Type	Size	Flooded	Tracer	dB Loss per 100 ft. @ 300MHz	DC Loop Resistance per 100 ft.
Aerial	Trunk	.750"	N	N	0.90	0.76Ω
	Feeder	.500"	N	N	1.31	1.72Ω
	Drop	RG-6	N	N	3.55	n/a
Underground	Trunk	.500"	Y	Y	1.31	1.72Ω
	Feeder	.500"	Y	Y	1.31	1.72Ω
	Drop	RG-6	N	N	3.55	n/a
	Drop (use as directed)	RG-11	Y	N	2.25	n/a

Table 12.2
Trunk Coaxial Cable Tracer Colors

Trunk	Tracer Color
W. Broad St	Purple
Livingston Ave.	Red
Main St.	Orange
High St.	Yellow
Cleveland Ave.	Green
CBD	Blue
Underground Feeder	White

12.4.3.2 Amplifiers and Power Supplies

In-line amplifiers are required to maintain proper RF signal levels along the coaxial trunk. Amplifier to amplifier communication signal frequency shall be specified as 300MHz.

Placement of coaxial amplifiers is dependent upon the RF signal levels based signal and power loss calculations for each coaxial cable link. See **Table 12.5** for an example of coaxial system design.

Per the [Qualified Products List](#) amplifiers are available in either 21dB or 29dB signal strength ratings. Design of a proposed coaxial interconnect segment should consist of only 21dB amplifiers, while use of 29dB amplifiers may be used in special circumstances or by the direction of the City. Coaxial interconnect segments shall be designed so that the incoming signal strength at the amplifier is

approximately +12dB. Normal signal gain for a 21dB and 29dB amplifier, for design purposes, is +18dB and +24dB, respectively.

Amplifiers are powered by 60-65VDC introduced on center coaxial cable conductor by 120VAC/60VDC power supplies located along the coaxial trunk. When the design calls for an amplifier and power supply to be in close proximity, power will be introduced into the cable plant through direct connection to the amplifier (port to be identified by City personnel). Otherwise, the power will be introduced into the cable plant using a power inserter. Coaxial feeder cable shall be installed between the power supply and amplifier or power inserter. In-line amplifiers require a minimum voltage of 42VDC to operate correctly. Perform voltage loss calculations including losses from cable, equipment, etc., to ensure the correct current is available to all amplifiers served by the power supply, and to determine appropriate spacing between power supplies. Each power supply will typically power three amplifiers upstream and three amplifiers downstream of its location.

At locations where multiple trunks connect, or where differences in voltages potential would occur due to opposing power supplies, the amplifier fuse must to be removed in one or more trunk direction so that the power supplies situated on different sides of the amplifier do not interfere with one another.

Drop cables to communication units are not to be energized. This is accomplished by power blocking in devices.

Upon completion of preliminary design and signal/power loss calculations, the designer shall field verify each proposed site to evaluate field conditions for any constructability concerns as well as allow for adequate accessibility for future maintenance.

All calculations shall be submitted for review with submittals containing temporary or permanent broadband RF designs.

Table 12.3
Coaxial Network Communications Equipment Frequencies

Origin	Destination	Frequency
Central System	Field Communication Interface Module	23MHz
Field Communication Interface Module	Central System	180MHz
Amplifier	Amplifier	Mid Band Split: 5-112MHz 150-300MHz
Pilot Generator	All amplifiers along trunk	301MHz

12.4.3.3 Pilot Generators

The RF pilot generator is installed at the remote end of a coaxial trunk and is used to maintain signal frequency synchronization between consecutive amplifier units. This results in a more uniform signal level and frequency and allows the signal to travel to the TMC with minimal loss or disruption.

Any proposed work that will either permanently or temporarily alter the existing coaxial system may warrant reconfiguration or installation of additional equipment to maintain proper coordination between the RF pilot generator and its respective coaxial trunk. The designer should contact the City to request further direction if this is necessary before making any changes to the existing coaxial system.

12.4.3.4 Directional Couplers and Splitters

Signal controllers and other devices are connected to the coaxial trunk network using directional couplers or splitters. Although the equipment is available in a variety of configurations of outbound taps and signal impedance levels, only the devices listed in Table 12.4 are to be used when designing CTSS coaxial segments.

Table 12.4
Signal Loss by Device

dB Loss @ 300 to 450MHz		
Device	Thru	Tap
2-way splitter	3.9	n/a
3-way splitter (balanced)	6.3	n/a
3-way splitter (unbalanced)	4.1/7.7	n/a
Directional coupler (8dB)	1.6	8.5
Directional coupler (12dB)	1.3	12
Power Inserter	0.5	n/a

The correct coupler and splitter components to be used for system design can be determined by balancing the RF signal strengths both upstream downstream of the proposed unit, ensuring that the RF signal levels are within operating range of their respective amplifiers and communications transceiver interface modules. The fuse from the tap side of directional couplers is to be removed in order to de-energize the drop cable and intersection devices.

12.4.3.5 RF Communication Transceiver Interface

The intersection RF transceiver interface allows the signal controller to communicate to the central system by converting RF signal to serial data signal. Each intersection connected to the broadband RF system requires the installation of this unit.

Surge protection and appropriate RF connectors are to be installed with this item. See [Qualified Products List](#) for approved equipment specifications.

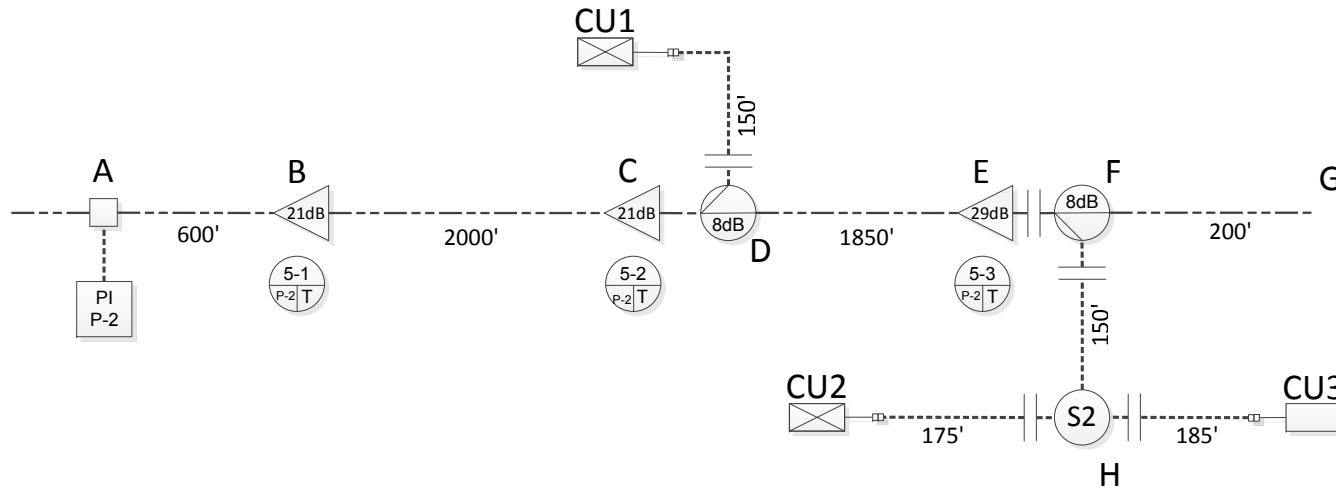
Table 12.5 RF Network Design – Sample Calculations Table

Signal/Voltage Loss Table									
Location	Incoming Signal Level (dB)	Equipment	Equipment Loss/Gain	Cable Distance	Cable Loss	Outgoing Signal Level (dB)	Incoming Line Voltage (DC)	Voltage Drop	Outgoing Line Voltage (DC)
A → B	17.00	Power Inserter	-0.5	600	-5.10	11.40	65.00	-0.46	64.54
B → C	11.40	21dB Amplifier 5-1	18.00	2000	-17.00	12.40	64.54	-1.52	63.02
C → D	12.40	21dB Amplifier 5-2	18.00	10	-0.09	30.31	63.02	-0.01	63.02
D → E	30.31	8dB Directional Coupler (thru)	-1.60	1850	-15.73	12.98	63.02	-1.41	61.61
E → F	12.98	29dB Amplifier 5-3	24.00	10	-0.09	36.89	61.61	-0.01	61.60
F → G	36.89	8dB Directional coupler (thru)	-1.6	200	-2.62	32.67	61.60	-0.15	61.45
D → CU1	30.31	8dB Directional Coupler (tap)	-8.50	125	-1.64	20.17	63.02	n/a	
CU1	19.81			10	-0.36				
F → H	36.89	8dB Directional Coupler (tap)	-8.50	150	-1.97	26.42	61.45	-0.26	61.19
H → CU2	26.42	2-Way Splitter	-3.90	175	-2.29	20.23	61.19	n/a	
CU2	20.10			10	-0.13				
H → CU3	26.42	2-Way Splitter	-3.90	185	-2.42	20.10	61.19	n/a	
CU3	19.97			10	-0.13				

Typical RF Cable/Equipment Performance

Cable	dB Loss/100ft	Voltage Drop/100ft
0.750 Coaxial Trunk	-0.85	-0.076
0.500 Coaxial Drop	-1.31	-0.172
RG-6 Coaxial Drop	-3.55	n/a
RG-11 Coaxial Drop	-3.65	n/a
Couplers & Splitters		
	dB Loss	
	Thru	Tap
8dB Directional Coupler	-1.6	-8.5
12dB Directional Coupler	-1.3	-12
16dB Directional Coupler	-0.9	-16
2-Way Splitter	-3.9	-3.9
3-Way Splitter	-6.3	n/a
3-way Splitter (unbalanced)	-4.1 / -7.7	n/a
Power Inserter	-0.5	n/a
Amplifiers		
	dB Gain	Min. Operating Voltage
21dB Amplifier	18	+42VDC
29dB Amplifier	24	+42VDC
Pilot Generator	n/a	+48VDC

Figure 12.2 RF Network Design - Sample Diagram



Symbol Legend	
-----	.750" Coaxial Trunk
-----	.500" Coaxial Feeder
-----	RG-6 Drop Cable
-----	Feeder to Drop Cable Splice
PS P-x	60VDC Power Supply – x = ID
⊠	Signal Controller
$x\text{ dB}$	RF Amplifier – x = signal gain (dB)
$\frac{x}{y z}$	RF Amplifier Information Tag -x=ID, y=Power Supply ID, z=Power Blocking: Input/Output/Through
$\frac{x}{\text{dB}}$	Directional Coupler x = signal loss on Tap
	Power Blocking

12.4.3.6 Removal of Coaxial Interconnect Cable and Equipment

All CTSS coaxial devices are to be returned to the City of Columbus. General interconnect notes regarding equipment removal instructions and drop off locations and procedures are provided by the City of Columbus, Department of Public Service.

12.5 Closed Loop System Design

Various segments of the City's traffic signal system operate independently from the central system. The segments may be interconnected to one another, with one intersection controller serving as master controller, creating a closed loop system. Communication occurs between the Traffic Management Center and master signal controllers by use of a telephone circuit drop to the intersection. Signal operations can be monitored through the use of Aries System Software located at the TMC by communicating to the master signal controller. Configuration changes can then be sent out from the master signal controller to signals on its respective closed loop system.

The CTSS Phase projects will eventually connect the existing closed loop system signals to the central signal system. However, until this can be accomplished, the existing closed loop signals system must be maintained in order to continue signal coordination throughout many parts of the City.

Existing closed loop systems are interconnected using several different types of infrastructure including multimode fiber optic cable, 900MHz wireless radios, and copper communications cable.

New segments of traffic signal interconnect will not typically connect to closed loop system technology. However, if a proposed project may affect the existing closed loop system, the designer is responsible for maintaining the system during the project and restoring it to its original state upon completion of the project.

In the event that a project design involves the existing closed loop system, the designer is to request additional information from the City

General interconnect notes for Closed Loop Network equipment detail and specifications are provided by the City of Columbus, Department of Public Service.

12.6 Fiber Optic Network Design

12.6.1 Cable

The cable network structure is constructed using 288 strand fiber optic cable backbone installed along the freeway system. Fiber access points, referred to as communications nodes, serve as connection sites between the backbone and 144 strand fiber optic cable trunks which run along major arterials and interconnect traffic signals, vehicle flow monitors, and other City facilities.

All fiber optic backbone, trunk, and drop cables shall be of loose buffer tube, gel-free, dielectric construction, using 8.2 μ m core diameter single mode fiber. Buffer tube and fiber jacketing shall conform to EIA598-A color coding.

Additionally, drop cables between splice enclosures and termination panels within equipment cabinets shall meet riser rated specifications, unless specifically directed by the City.

General interconnect notes for detailed fiber optic cable material information, testing, installation, and acceptance procedures are provided by the City of Columbus, Department of Public Service.

12.6.2 Slack Storage

Installation of extra cable slack is required for future maintenance and expansion of the system. For design purposes, approximately 150 ft. of cable slack should be included for every 1000 ft. of interconnect cable installed, although specific circumstances - such as a known future fiber access point or crowded existing infrastructure - may require more or less slack cable. Cable slack should be installed near an intersection and in an accessible location.

For underground installations limit slack storage length placement to less than 100 ft. per 32" pull box and 200 ft. per 48" pull box. At crowded locations spread out slack lengths between adjacent pull boxes.

For aerial installations ensure cable slack is installed away from roadway or other areas where traffic is likely to flow under. Locations should be easily accessible and reasonably free of other overhead utilities.

In addition to slack storage, additional cable length must be included for purposes of fiber splicing. At a typical splice location, 75 ft. of each cable entering the splice enclosure is to be coiled and stored so that cable ends can be removed from pull box or aerial installation and properly prepared for splicing, although actual lengths may increase depending on field or

accessibility conditions.

12.6.3 Splicing

Fiber optic cables are to be installed in continuous lengths between interconnected facilities. Unless designing a fiber rings as discussed in **Section 12.6.6**, only fibers used by a device at a splice location should be spliced to the drop cable, leaving unused fiber optic buffer tubes to be passed through the splice enclosure uncut. All fiber splices are to be done using core aligned fusion splicers.

The designer shall incorporate mid-run splice locations only when installation of a continuous cable is not reasonably possible, such as underground to aerial transitions, locations where the cable path abruptly changes direction, or at the direction of the City.

Additionally, the designer may allow splicing of all fibers at locations where four or more cables converge (such as the intersection of two arterial routes) and along very long continuous cable runs of 20,000 ft. or more.

The type and size of splice enclosure required at a site is to be determined based upon the following factors:

1) Underground installations

There are physical constraints for a splice enclosure because of the varying sizes of pull boxes. The amount of potential total splices, buffer tubes, along with the number of fiber optic cable entries is taken in to account when selecting a splice enclosure size. In addition, for existing pull boxes, field verification to determine the amount of space and condition of it shall occur. For locations that have two trunk fiber optic cables, generally the larger clamshell type should be used. For locations that have three or more trunk cable entries, the dome type shall be used. See **Table 12.6** for underground installations restrictions.

2) Overhead installations

There are not any physical constraints for a splice enclosure. The amount of potential total splices, buffer tubes, along with the number of fiber optic cable entries is taken in to account when selecting a splice enclosure size. For locations that have two trunk fiber optic cables, generally the clamshell type should be used. For locations that have three or more trunk cable entries, the dome type shall be used. See **Table 12.6** for aerial installations restrictions.

Table 12.6
Typical Approximate Splice Enclosure Size

Enclosure Size	Enclosure Form	# of Splices	# of Buffer Tubes	# of Cable Entry Ports	Fits in Square 30" Pull Box	Fits in Round 32" Pull Box	Fits in Round 48" Pull Box	Allowable for Aerial Installation
7"x18"	Dome	144	24	4	X	x	x	
7"x22"	Clamshell	144	24	4	X	x	x	
9"x22"	Clamshell	288	36	6		x	x	x
10"x28"	Dome	800	60	8			x	x

12.6.4 Connecting to Devices

Drop cables are used to connect cable plant to devices and facilities.

Drop cables between splice enclosures and termination panels shall meet riser rating specifications, unless specifically directed by the City.

One end of the drop cable shall consist of factory pre-terminated end connectors that are plugged into termination panels within the cabinet (typically of a communications node) or are integrated into a pre-formed ruggedized termination panel assembly (typical of a traffic signal cabinet). The other "stubbed" end of the cable is pulled to the splice enclosure and fusion spliced to the trunk or backbone cables. For design purposes, the ruggedized termination panel and the integrated drop cable are to be quantified together as a single pay item. For projects involving multiple sites, several pay items may be specified in the plans, each with varying lengths of attached drop cable. Typical drop cable lengths used are 200, 300, and 450 ft. The length of drop cable must include adequate splicing slack (typically 75 ft.), vertical distances such as through poles or risers, any other distance required to connect between the splice location and fiber termination point. If this distance exceeds the typical 450 ft. maximum length, a smaller strand count fiber cable meeting trunk or backbone cable specifications may be used to connect to a secondary splice enclosure near the termination point. The pre-terminated drop cable can then be installed to connect the termination point to the fibers of the secondary splice enclosure.

A typical traffic signal installation will require connectivity to the blue buffer tube from each trunk cable entering the intersection. For purposes of design simplicity and for future maintenance and inventory, only 24 fiber ruggedized termination panels are to be used, with the exception of communications nodes. At signal locations that require more than 24 fiber

terminations, additional 24 fiber termination panels are to be used in order to accommodate the required amount of fibers. See **Figure 12.9 - Figure 12.15** for graphical representation of standard cable/panel orientation.

A communications node cabinet installation typically includes access to the blue tube of either 288 strand cables backbone in addition to all fibers of each incoming 144 strand cable trunk. At communications node locations with more than two incoming 288 strand cable backbones, all 288 fibers of each cable are to be terminated into the node cabinet to allow patching of all fibers.

The LC-UPC termination is the standard type fiber optic connector to be used at intersections and communications node cabinets. Standard patch cables between patch panels are to be constructed of duplex single mode optical cable with LC-UPC connectors and at 6, 12, 18, or 24 ft. incremental lengths depending on the separation of terminations they are respectively connecting. Non-standard patch cables may be encountered to connect to certain types of communications equipment, or while connecting to existing closed loop system equipment. In order to prevent damage to patch cables and maintain a well-organized environment, patch cable slack is to be neatly coiled and secured within the patch panel. Excessively long patch cables are not to be used to prevent. Patch cable ends are to be clearly and permanently labeled with information indicating the link ID and/or termination point. See **Figure 12.3** for fiber optic patch cable color coding.

Figure 12.3
Fiber Patch Cable Jacket/Connector Color

Fiber Type	Jacket Color	CTSS Application
Multimode	Orange	Closed loop systems
Singlemode	Yellow	CTSS IP Network

Connector Type	Boot Color	CTSS Application
Physical Contact	White/Black	Closed loop systems
Ultra Physical Contact	Blue	CTSS IP Network
Angled Physical Contact	Green	DoT IP Network

12.6.5 Redundancy

Communications nodes built along the backbone fiber optic network shall include Layer 3 capable network switches. If a communications node drops off of the network due to power loss, equipment failure, or a cable break, the network will reroute data traffic to its destination utilizing alternate nodes and fiber pathways. Refer to [Sample Plan Sheets](#) for a representation of the physical layout of the fiber optic network installed in previous CTSS projects.

In addition to network switching redundancy, physical measures may be included in the network design in order to help mitigate downtime due to cable or communications equipment failures in the field. An example of this approach would include the design of a communications segment using multiple layers of fiber between links of the segment.

Although the fiber optic cable may physically be connected between two sites on the segment, selected fibers may be patched through the site, bypassing it. Alternating the fibers that are used and those that are patched through between sites results in groups of sites communicating on different 'channels' along the segment, as illustrated in **Figure 12.4**. Depending upon the location and type of equipment failure, this approach may reduce the negative impact to the overall system. **Figure 12.5** represents the ability of a dual fiber channel network to overcome a localized power failure compared to extensive downtime experienced without utilizing the design.

Communications plans are to include network overview diagrams clearly representing the logical communications paths and channels between field devices. Refer to [Sample Plan Sheets](#) for an example network diagram.

Figure 12.4
Multiple Channel Fiber Optic Patching

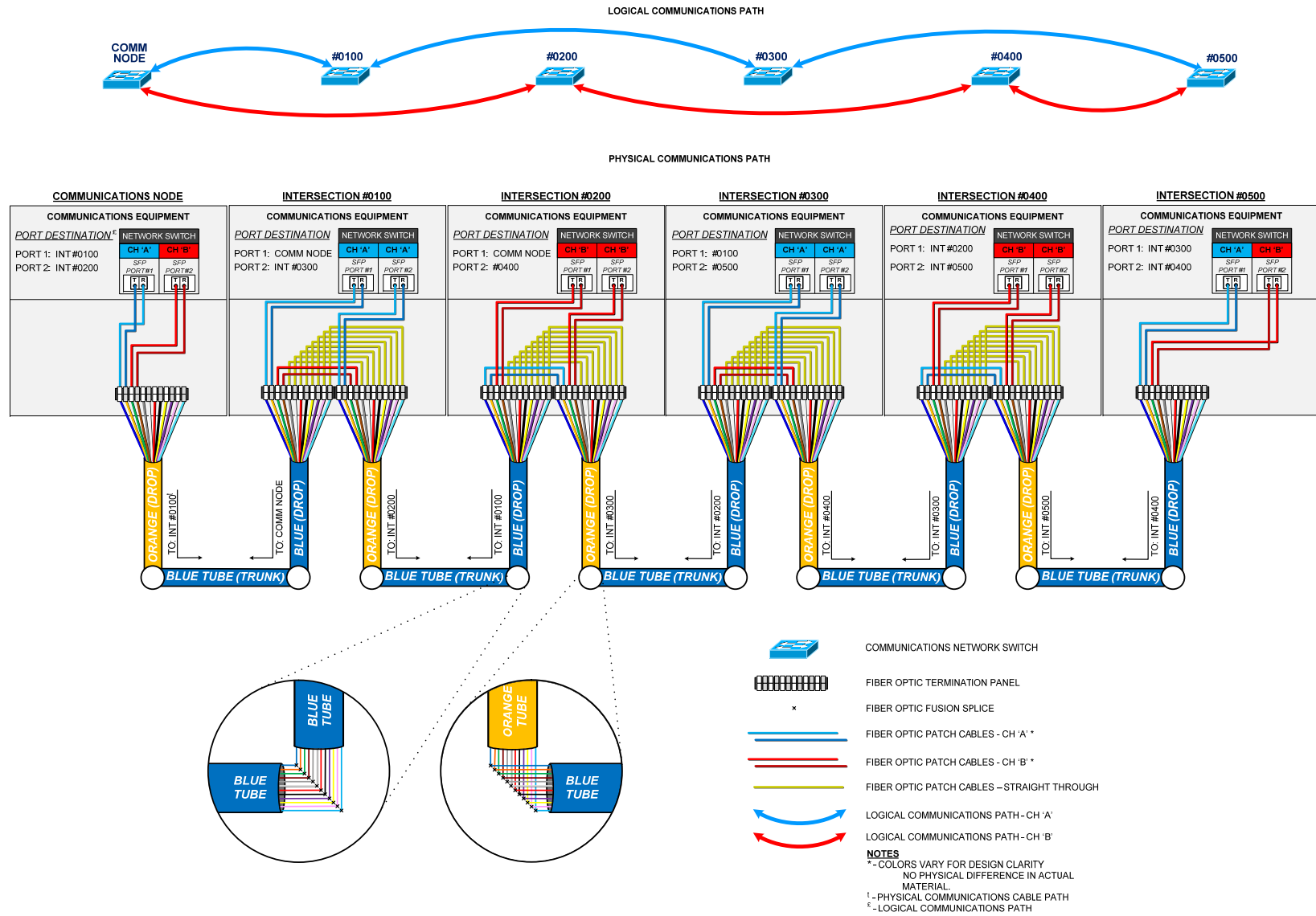
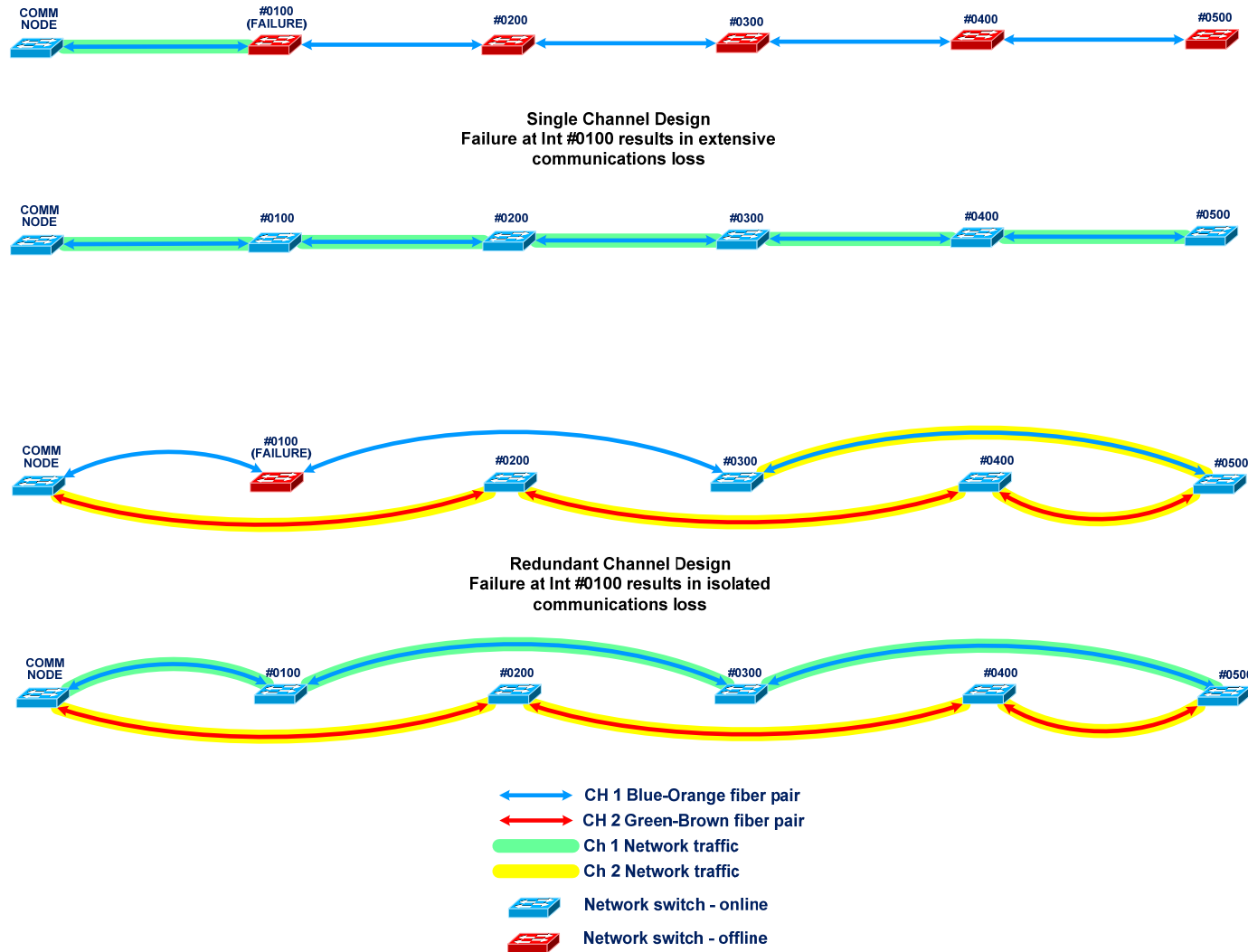


Figure 12.5
Multiple Channel Fiber Redundancy



12.6.6 Fiber Optic Ring Design

In order to increase the redundancy, stability, and efficiency of the installed fiber network, fibers and/or fiber buffer tubes may be spliced in the enclosure or patched at the termination panel to create dedicated pathways or “rings” of fiber within the fiber cable network.

The ring topology design can be used to control the amount of available fibers between sites. Known sites requiring higher than normal bandwidth can be provided additional access to designated fibers or fiber tubes by bypassing other sites requiring less fibers. Additionally, by design ring topology can create redundant data pathways between groups of sites by coordinating which fibers or fiber tubes have access to each other.

Refer to **Figure 12.6** for a graphical illustration of ring topology.

Figure 12.6
Fiber Optic Cable Ring Design

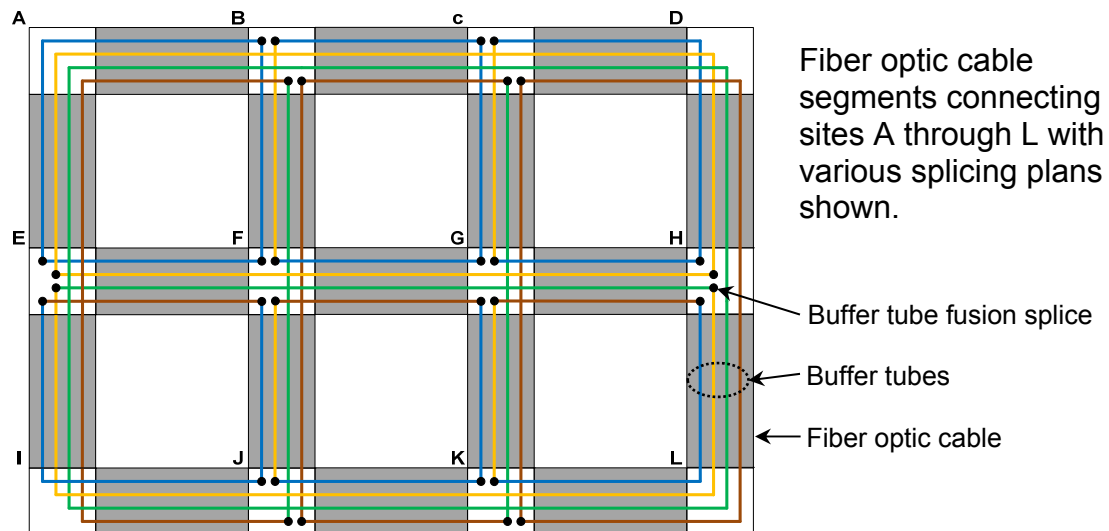
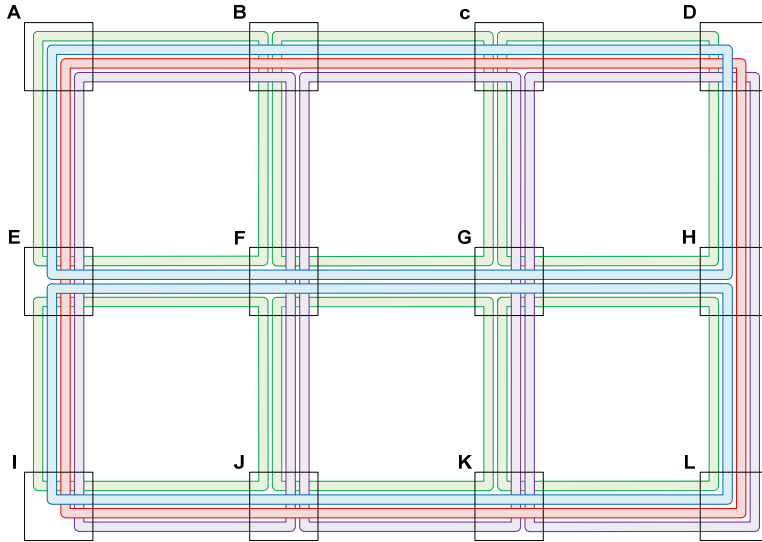
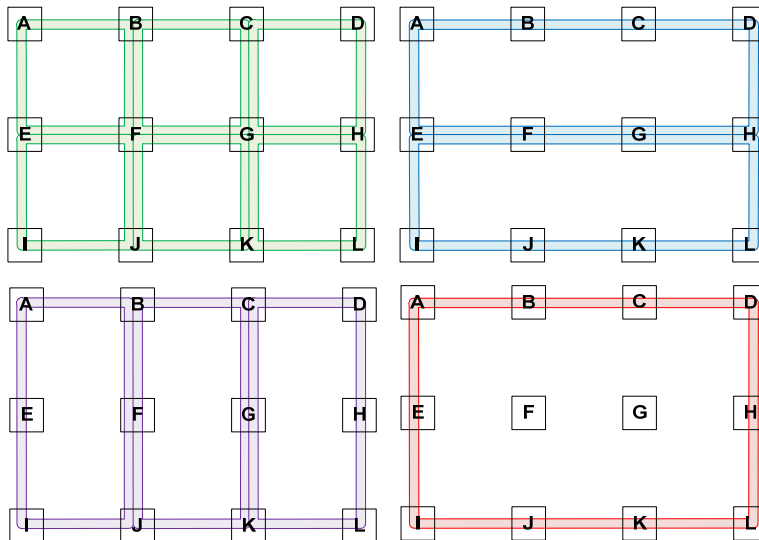


Figure 12.7
Fiber Optic Cable Ring Design



Physical optical pathway of fiber tubes, as spliced in Figure 12.6, create green, blue, red, and purple 'rings'. This color scheme is completely arbitrary and may be composed of various fiber/buffer tube color combinations.

Figure 12.8
Fiber Optic Cable Ring Design



Individual fiber tube rings are broken out showing which sites have access to each respective tube.

Green ring: A·B·F·E,
B·C·G·F, C·D·H·G, E·F·J·I,
F·G·K·J, G·H·L·K
Blue ring: A·B·C·D·H·G·F·E,
E·F·G·H·L·K·J·I
Purple ring: A·B·F·J·I·E,
B·C·G·K·J·F, C·D·H·L·K·G
Red ring:
A·B·C·D·H·L·K·J·I·E

12.7 Communications Nodes

Communications node sites, located primarily where backbone and trunk fiber optic cables intersect, serve as aggregation points for layer two trunk network data. At the communications node, the field device data along the trunk network is transported to the backbone network using layer three network switches capable of achieving data throughput rates of 10Gbps. Network maps and information may be obtained from the City by request.

At the node location, terminate all 144 strands of fiber of each fiber optic trunk cable to a patch panel within the Node cabinet. Unless the node site consists of three or more 288 strand backbone cables, include a 24 strand drop cable connection to the backbone. Unlike at a typical signal controller cabinet, this 24 strand drop cable is to be terminated into a 19" rack mounted patch panel.

If three or more 288 strand backbone fiber cables converge at a node site, terminate all of the strands of fiber of each backbone cable in patch panels within the node cabinet. This will allow full configurability of the network as links can be patched through as necessary.

Termination panels shall fit into a standard 19" equipment rack and be capable of housing various configurations of modules that pre-terminated connector ends can be snapped in to. High density modules and duplex LC style connectors shall be used so that no more a single four rack unit tall panel is required to contain 288 fiber terminations.

Communications nodes are to include at a minimum two Type 334 signal controller cabinets mounted together on a single concrete foundation. Cabinet #1 serves primarily as the fiber optic distribution center and contains fiber optic termination panels for incoming cables. Cabinet #2 contains network switches and other electronic devices.

Regardless of the number of backbone and/or trunk cables entering the node site, the communications cabinets are to be interconnected using outdoor rated fiber optic drop cables with factory pre-terminated ends. Patch cables or use of indoor rated cables will not be permitted through conduit, pull boxes, or any other means between outdoor communications equipment cabinets.

Depending on the type of power service available at a node site, the design may include a Power Distribution Cabinet (PDC) to be installed on the communications node foundation alongside or between the 334 cabinets. The PDC is a smaller M36 controller cabinet enclosure that contains electrical step down transformers, circuit breakers, and/or disconnect switches.

Refer to [City of Columbus Standard Construction Drawing 4405](#) for additional communication node detail.

Communications node sites are typically the point of convergence for multiple fiber optic cables. For this reason, a 48" pull box shall be installed adjacent to the fiber termination cabinet to provide adequate room for coiled cable slack and splice enclosures.

Refer to [City of Columbus Standard Construction Drawing 4023](#) for 48" additional pull box detail.

Figure 12.9
Typical Splicing Diagram – 2 cables

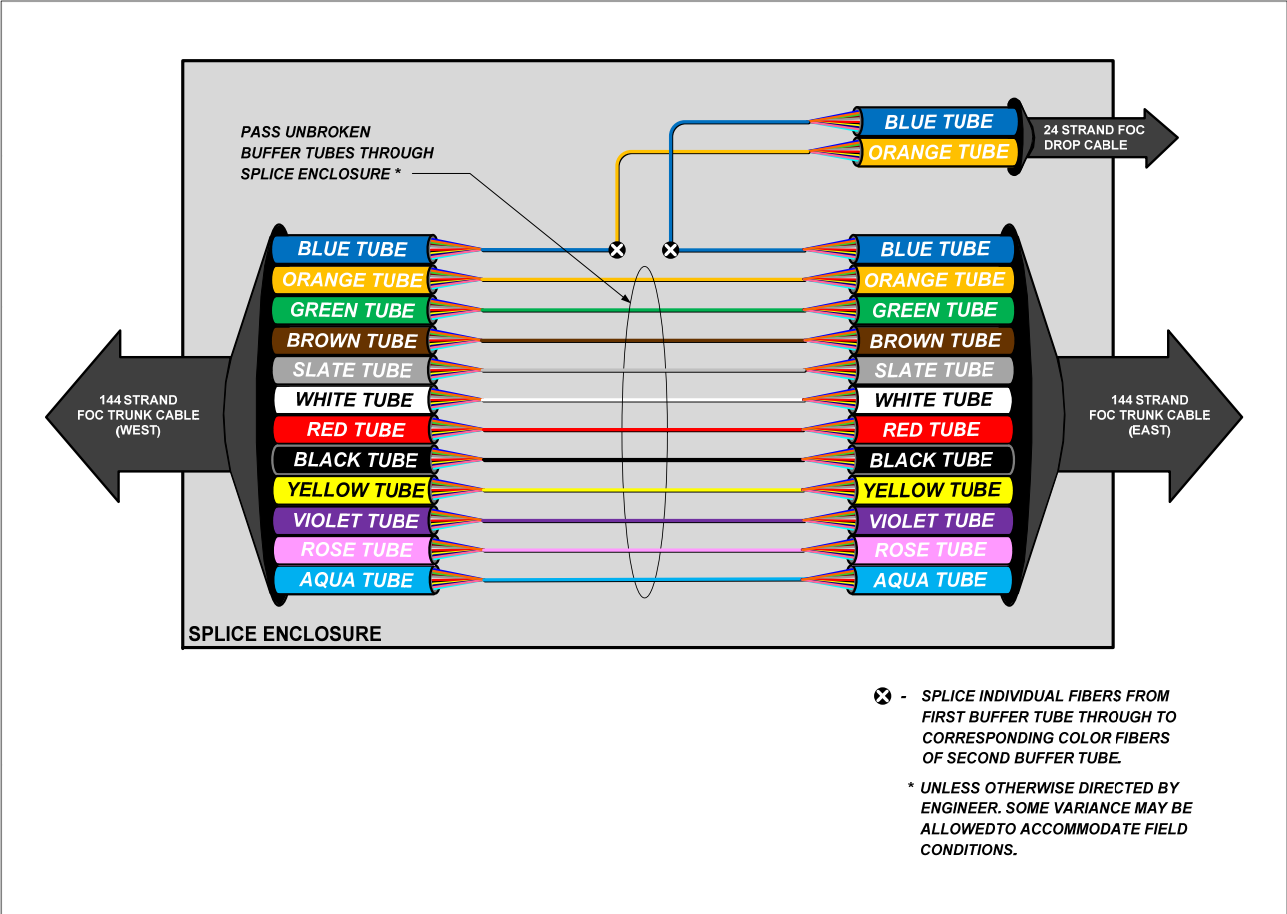


Figure 12.10
Typical Splicing Diagram – 3 cables

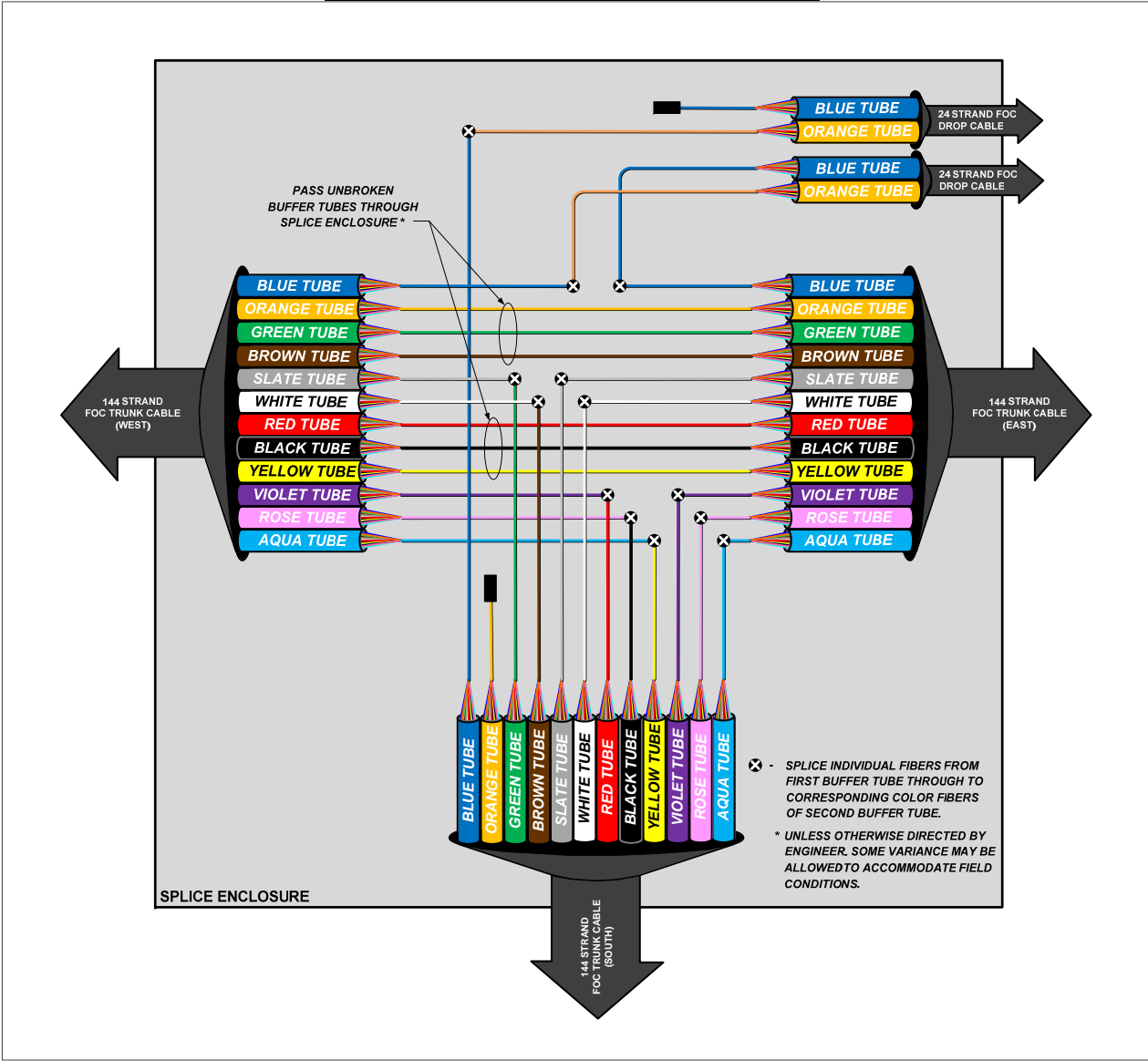


Figure 12.11
Typical Splicing Diagram – 4 cables

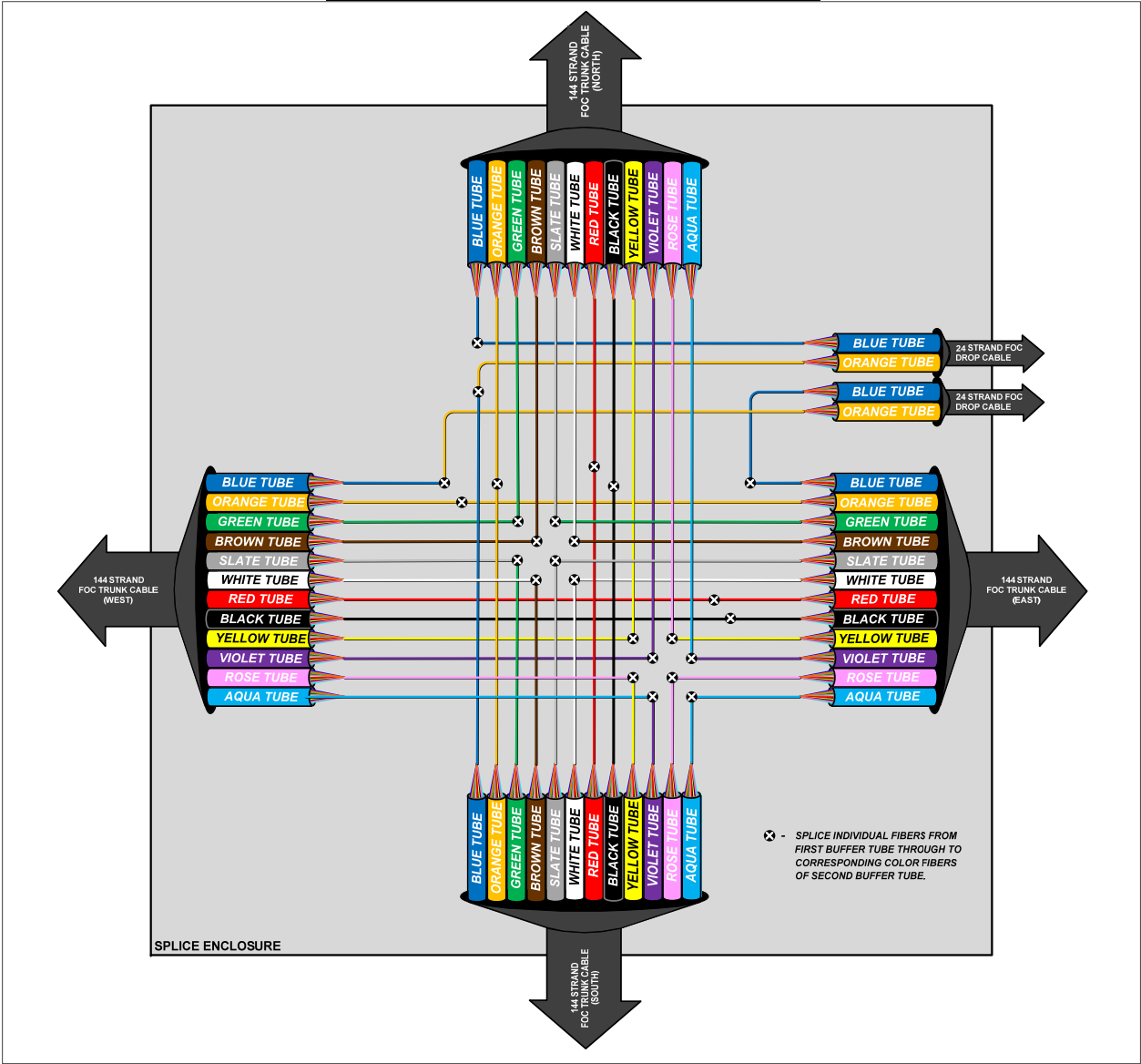


Figure 12.12
Splicing Orientation – 2 cables - East/West

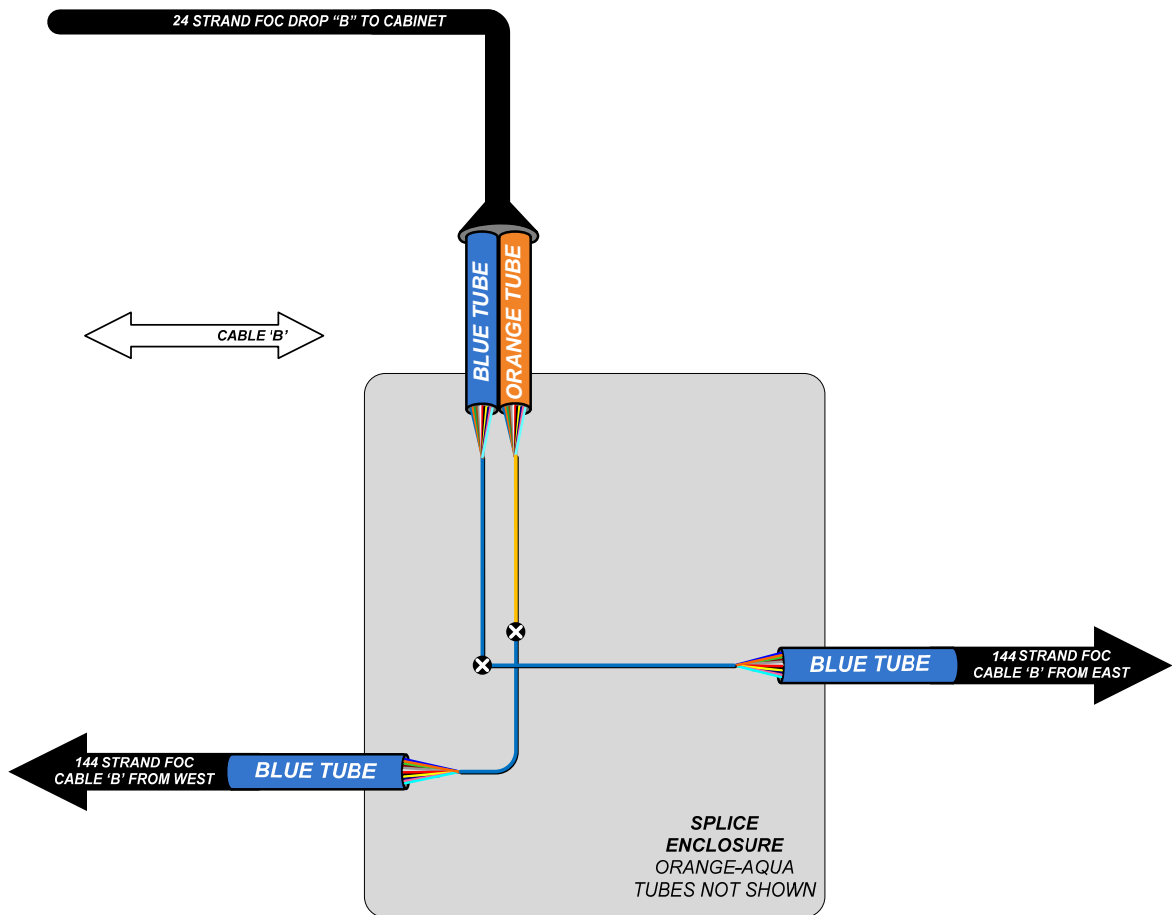


Figure 12.13
Splicing Orientation – 2 cables – North/South

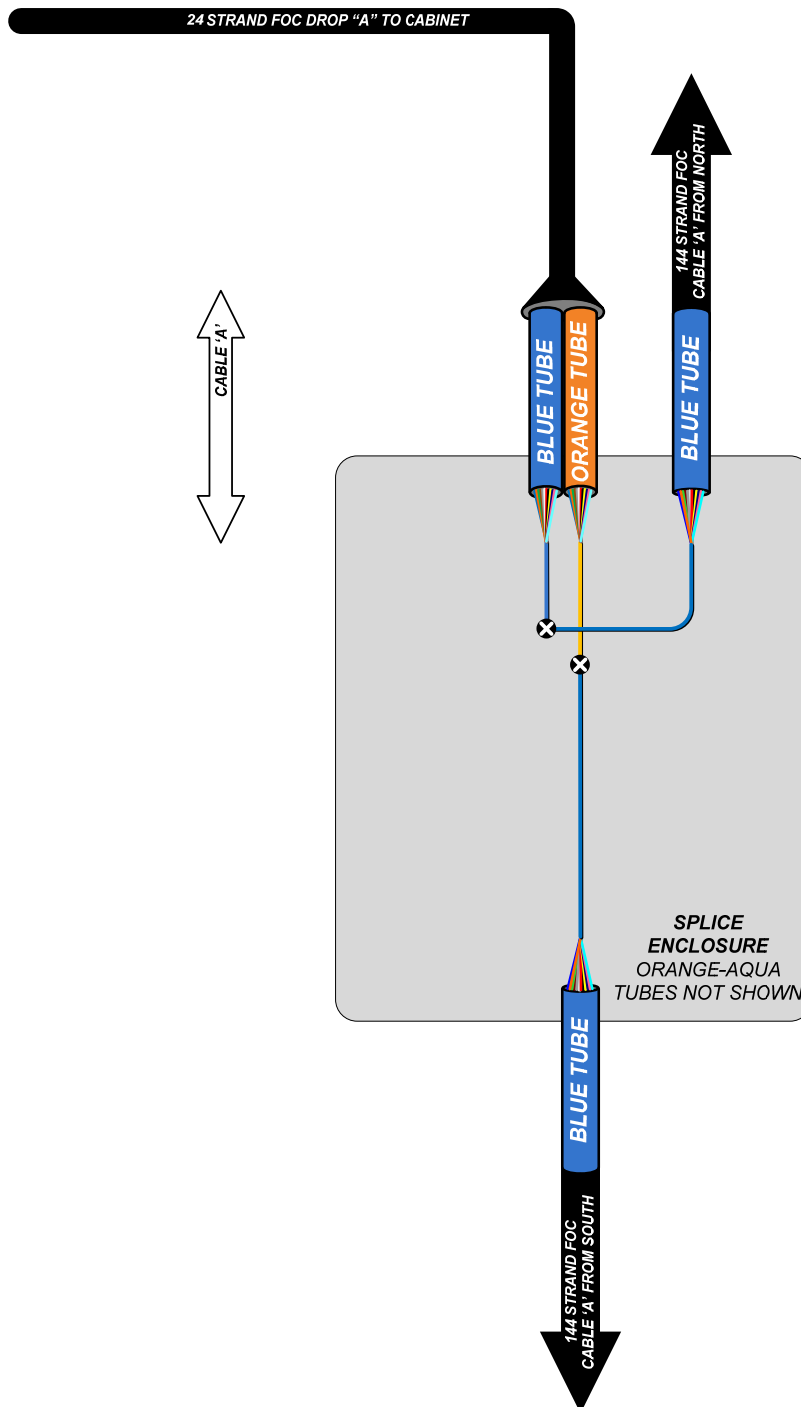


Figure 12.14
Splicing Orientation – 3 Cables

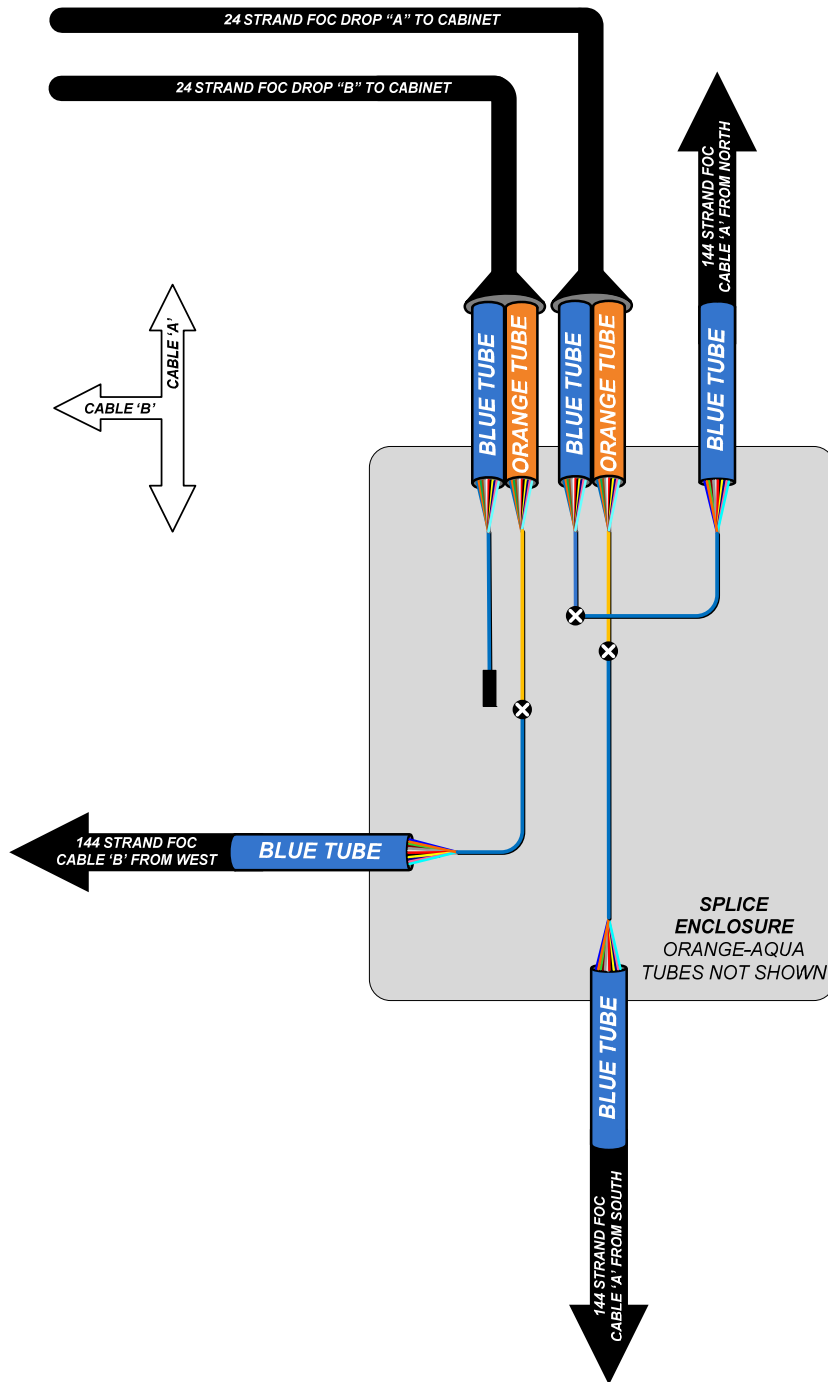
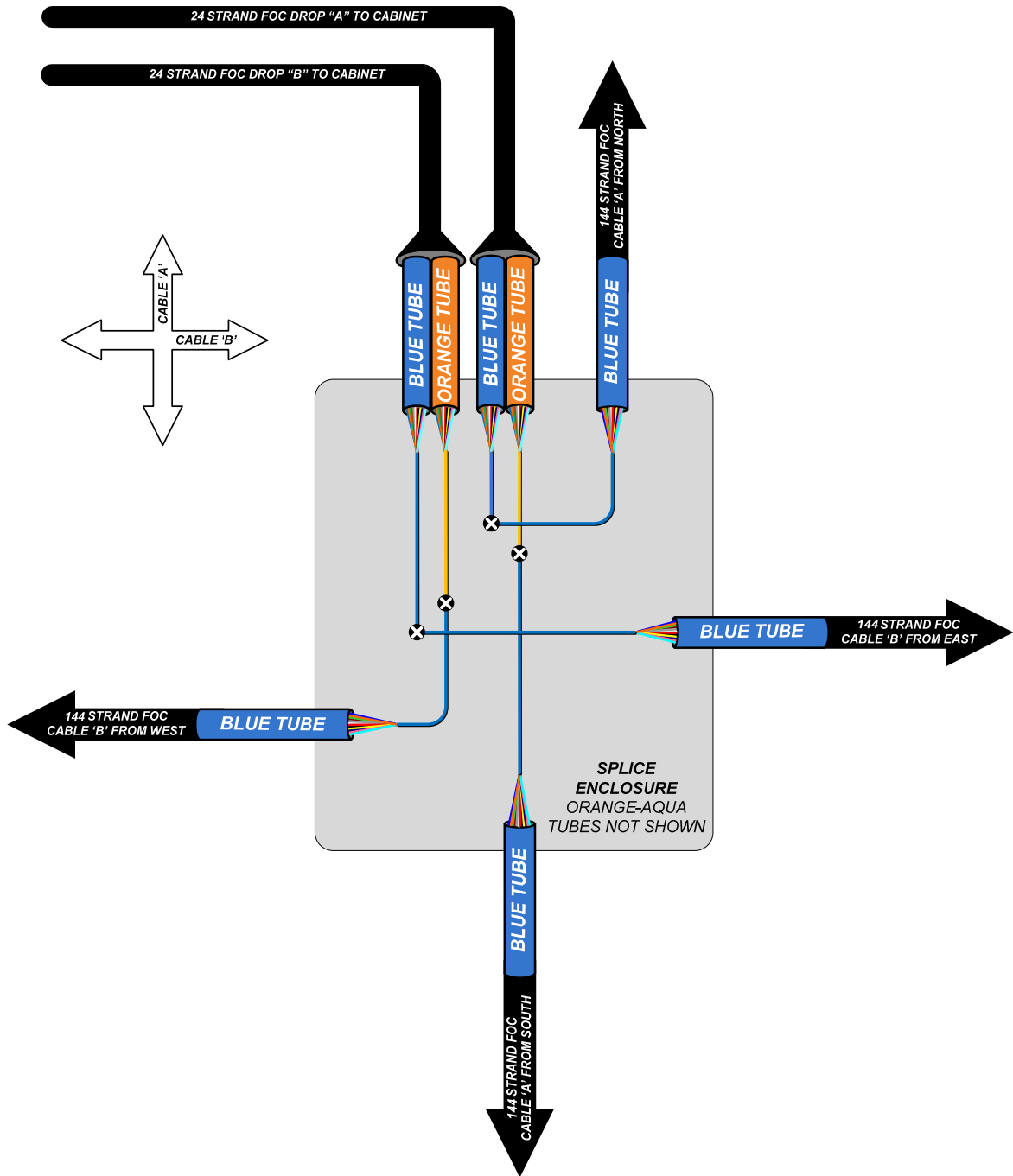


Figure 12.15
Splicing Orientation – 4 Cables



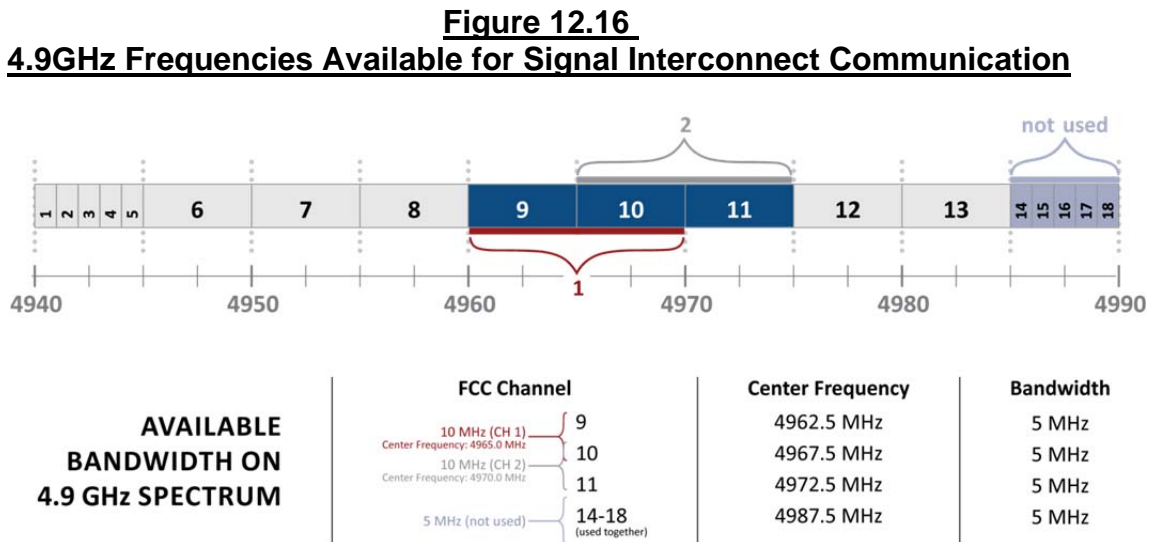
12.8 Wireless Ethernet System Design

For instances where the installation of fiber optic cable is not practical or cost efficient, the designer may propose to install wireless communications equipment to extend the network. Wireless links should be used only at the outermost remote ends of the fiber optic network, and should not be used to bridge fiber optic segments together unless they serving only as a redundant backup link.

Wireless radio equipment shall consist of spread spectrum radios and utilize 4.9 GHz licensed government safety band frequencies as shown below in **Figure 12.16** . Radios units are to be integrally constructed so that the radio and antenna are contained within the same enclosure, which is to be mounted on a strain pole, mast arm, or bracket arm. Additional bracket assemblies may be used to change the position of the radio in order to clear obstructions such as trees, signal arms, signage, or other radios.

Wireless radios are to be connected to the network equipment at the traffic signal cabinet using outdoor rated Category 6 cable. Power-over-Ethernet switches or power injector adapters are to be used to power the radio units. Coaxial cable or separate power cabling is not permitted.

Prior to the construction, a proposed wireless link should be tested by installing temporary radio equipment simulating the permanent link. This testing shall include signal strength, bandwidth throughput, and potential interference from other devices. If the temporary installation cannot be physically installed to existing infrastructure or if the proposed wireless design requires new infrastructure, bucket trucks may be used to support the radios for short term testing.



12.9 Underground Cable Installation

Underground cables shall be identified using permanent 4” tags which indicate the cable owner and contact information.

Design of proposed interconnect through existing conduit facilities requires prior coordination between facility owner and any other utility/entity that is using the existing infrastructure. Existing facilities should first be identified using record plans during preliminary design stages of the project. Once confirmation has been obtained from the City to use existing facilities, field proofing should be performed in the design phase in order to ensure that facilities are in acceptable condition and of adequate capacity to contain proposed interconnect, unless otherwise instructed by the City.

For information regarding proposed underground interconnect duct bank systems, refer to **Chapter 13**.

12.10 Overhead Cable Installation

Overhead cables shall be identified using permanent 8” tags which indicate the cable owner and contact information.

12.10.1 New Attachments

The attachment to existing overhead utility poles requires coordination with the pole owner and other utility agencies also attached to the pole line. Engineering work may be required to determine how much “make ready” work is required before the proposed interconnect attachment can be made. Due to the significant amount of time required to complete this process, the designer must notify the appropriate utilities during the preliminary design stages of a project. Depending on the size and complexity of the project or at the request of the City, regularly occurring progress meetings including the designer, City officials, and utility company representatives may need to be scheduled to ensure the appropriate steps are completed on time.

All proposed interconnect cable is to be installed using new messenger wire as described in the CMSC.

Utility pole information including owner and identification markings shall be included on the plans.

For contact information regarding power services, refer to **Sections 10.1 and 16.1.5**.

12.10.2 Existing Attachments

When attaching to an existing overhead interconnect path, the designer must determine whether to over lash or to remove and replace the overhead existing cable. This is dictated by the weight and condition of the existing cable and support system (i.e. messenger and lashing wire).

In some instances, where deemed acceptable by existing conditions and with approval of the utility pole owner, the design may include “over” lashing the proposed cable over the existing cable and messenger wire. For this type of installation, all pole mounting hardware and lashing wire required to over lash the proposed interconnect per plan shall be considered incidental to the cost of the interconnect.

12.10.3 Remove and Replace Existing Overhead Interconnect

In the event that the existing interconnect may not be used to over lash and support the proposed cable, it may be removed and the pole attachment points reused for the new cable.

Unless specifically instructed by the City, the existing interconnect system is to remain online through construction and until the proposed system is brought online and accepted by the City. This can be accomplished by the temporary use of J-Hooks and roller hangers to support the existing cable until the new system is online. At that time the existing cable and temporary support systems are to be removed.

The designer shall make provisions in the plans to maintain, relocate, and/or replace system loop detection where present.

CHAPTER 13: UNDERGROUND FACILITIES

13.1 Underground Facilities

Traffic signal underground facilities shall be designed in accordance with the requirements outlined in Sections 625 and 725 of the current version of the [City of Columbus Construction and Material Specifications](#) and current revision of [Supplemental Specification 1100](#), unless otherwise detailed within.

Materials shall also be in accordance with the City of Columbus [Qualified Products List](#).

13.2 Conduit General

13.2.1 Conduit Types/Size

The following conduit types are permitted for traffic signal applications in the City of Columbus:

- Rigid metal conduit (725.04)
- PVC Schedule 40 (725.051, EPC-40-PVC)
- PVC Schedule 80 (725.051, EPC-80-PVC)
- Polyethylene (725.052, EPEC-80-HDPE)
- Flexible metal conduit (Bridge application only)
- Fiberglass conduit (Bridge application only)
- Multicell (725.20, SCH 40, SCH 80)

Conduit selection for typical traffic signal applications should consist of 1.5 in., 2 in., 3 in., or 4 in. conduit. The use of other conduit sizes may only be specified for special applications and/or when directed by the City of Columbus, City Engineer or appointed designee. Additional information is provided for conduit selection in **Section 13.4**.

13.2.2 Conduit Capacity

The maximum number of cables specified for an individual conduit shall conform to the conduit fill requirements specified in the [National Electrical Code](#). The maximum allowable conduit fill when more than two cables are installed is 40 percent.

A single 90 degree bend shall be permitted without application of a percent fill reduction factor. For each additional 90 degree bend, a 10 percent reduction to the allowable 40 percent fill shall be implemented. A maximum number of bends totaling 270 degrees shall be permitted between pull boxes.

Table 13.1 lists dimensions of conduit and **Table 7.4** lists dimensions of traffic signal cable.

Table 13.1
Conduit Dimensions

Conduit Diameter (in.)	Rigid Metal Conduit		Schedule 40 PVC		Schedule 80 PVC & HDPE Conduit	
	Internal Area (in ²)	40% of Internal Area (in ²)	Internal Area (in ²)	40% of Internal Area (in ²)	Internal Area (in ²)	40% of Internal Area (in ²)
1.5	2.071	0.829	1.986	0.794	1.711	0.684
2	3.408	1.363	3.291	1.316	2.874	1.15
3	7.499	3.000	7.268	2.907	6.442	2.577
4	12.882	5.153	12.554	5.022	11.258	4.503

13.2.3 Conduit Clearance from Adjacent Utilities

Clearances listed in **Table 13.2** represent the minimum clearance from traffic signal conduits or conduit banks. Individual utility owners may require additional clearance. Actual clearance requirements should be confirmed with utility owners. Clearances are measured from the outside edge of the conduit or conduit bank to the nearest edge of the adjacent underground item. Additional utility clearance information may be found in the [Design Guidelines for Water Distribution System Capital Improvement Projects](#) and [Right-of-Way \(ROW\) Plan Routing Manual](#). For traffic signal support foundation clearance see **Section 4.3.3**.

Table 13.2
Minimum Conduit Clearance*

	Minimum Horizontal Clearance (ft.)	Minimum Vertical Clearance (ft.)
Street lighting conduit, water line, sanitary/storm sewer line, telephone/communication line, gas line, electric lines, etc.	3	1
Pull box, street lighting foundation, water valve, fire hydrant, manhole, gas valve, vaults, etc.	3	Not Permitted

*Size and depth of adjacent utilities may increase minimum clearance.

13.2.4 Conduit Alignment

Conduit layout at a signalized intersection shall be designed to minimize the number of bends between termination points including; poles, cabinets and pull boxes. Except when used for interconnect cable, conduit alignment changes shall not exceed 270 degree between access points. The bend in any conduit shall not be less than 12 times the internal diameter of the conduit. When conduit is used for interconnect cable, the conduit alignment should provide for the most direct route and the deflection shall not exceed the natural flexibility of the conduit (typically 1 ft. over 10 ft.) between termination points.

Conduit design should also consider the entry alignment into the pull box knock-out or the location of anchor bolts when entering a pole foundation. Plan view representation of the conduit alignment shall accurately depict these entry angles and illustrate the intended conduit alignment.

13.3 Conduit Installation

13.3.1 Trench

The installation depth of proposed conduit shall correlate to the depth of the pull box structure serving the conduit. **Table 13.3** lists pull box and corresponding trench depth requirements.

Traffic conduit shall not share a common trench with any other utility or agency except for the City of Columbus Department of Technology and the Ohio Department of Transportation. Clearances for

trenches with all other utilities and agencies shall comply with **Section 13.2.3**. Sharp changes in conduit elevation will not be permitted. If both ends of a conduit run enter the same size structure, then the entire length of conduit shall be placed at that depth. If the two ends of a conduit enter different depth structures the change in elevation shall be made over the entire length of the conduit run. The bottom of a conduit bank shall enter the pull box at the bottom of a knock-out.

Table 13.3
Minimum Trench Depth

	Associated Trench Depth (in.)
12 in. x 18 in. 13 in. x 24 in. Pull Boxes	24
27 in. Pull Box	30
32 in. Pull Box	30-36
48 in. Pull Box	39

13.3.2 Encasement

The Columbus standard is to open cut and encase conduits under roadways and driveways as indicated in **Table 13.4**. Conduit shall have a minimum of 3 in. of concrete encasement. Conduit concrete encasement details are provided on [City of Columbus Standard Construction Drawings 4000, 4001, and 4002](#).

Conduit used under roadways or driveways for traffic signal cable, interconnect cable, and loop wires shall be concrete encased Polyvinyl Chloride PVC/(725.051, EPC-40-PVC).

At street or drive crossings, concrete encasement shall extend a minimum of 5 ft. beyond the curb, edge of pavement/berm or edge of drive. When practical, it is preferred to provide encasement for the entire length of an individual conduit run.

Loop lead-in and signal cable in grass areas, and not under roadways or driveways does not need to be encased.

13.3.3 Jacked or Drilled

Conduit may be jacked or drilled/directionally bored if prior approval is furnished by the City of Columbus, City Engineer or appointed designee.

Conduit that is drilled/directionally bored shall be Polyethylene (HDPE)/(725.052, EPEC-80-HDPE).

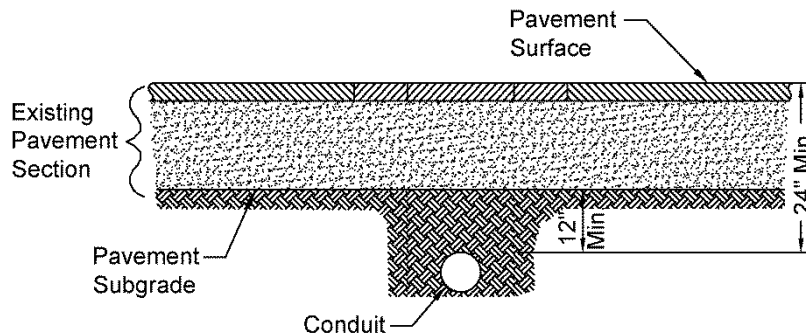
Jacked conduit shall be rigid metal conduit (725.04).

Power service cable shall not be installed in rigid metal conduit (725.04).

Jacked or drilled/directionally bored conduit placed under roadways or driveways shall have a minimum overall depth to the top of the conduit of 24 in. or a minimum depth of 12 in. under the pavement subgrade, whichever is deeper. The maximum depth to the top of the conduit should not be more than 48 in. under the pavement subgrade.

When jacked conduit is proposed, a 4 ft. x 8 ft. bore pit shall be identified at either end of the conduit run. Bore pit locations shall not conflict with existing underground utilities.

Figure 13.1
Minimum Conduit
Depth Under Pavement



13.4. Conduit Application

13.4.1 Traffic Signal Conduit

Table 13.4 summarizes the minimum number of conduits that are to be used for various conditions.

If existing direct buried loop detector lead-in cable is located under proposed sidewalk, it shall be replaced with new cable in conduit.

13.4.2 Traffic Signal Power Conduit

Traffic signal conduit that contains a power service feed shall have a minimum of 2 in. diameter.

The Columbus standard is PVC (EPC-40-PVC), concrete encased conduit. When directed by the City, drilling/directionally boring or open trenching using a Polyvinyl Chloride (EPC-80-PVC), or Polyethylene (EPEC-80-HDPE) are acceptable alternatives.

Power service cables shall not be installed in rigid metal conduit (725.04).

Power service conduit may be in the same conduit bank as other signal and interconnect conduits but must have a 3 in. concrete encasement separation from the interconnect and signal cable conduits. Reference is made to [City of Columbus Standard Construction Drawing 4001](#). This power conduit shall not enter any pull box that contains any other signal or interconnect cables, nor enter a traffic signal pole/pedestal. As required by the [National Electrical Code](#), Section 230.7, no other traffic signal or interconnect cable shall be installed in this conduit.

Conduit containing power cable shall be routed directly between the power source and the traffic signal controller, as described in **Sections 10.2 and 10.3**.

13.4.3 Interconnect Conduit

Interconnect conduit shall be encapsulated with 3 in. concrete encasement. Interconnect conduit located between the controller cabinet and the adjacent pull box/signal pole does not require encasement.

Interconnect conduit shall be designed as straight as possible between pull boxes. Any change in horizontal or vertical direction between pull boxes may only be accomplished with the natural deflection of the conduit (typically 1 ft. over 10 ft.). Prefabricated conduit bends, elbows

or angled deflections are not permitted unless approved by the City of Columbus, City Engineer or appointed designee.

When underground signal conduit is used, interconnect and signal conduits shall be designed in a combined conduit duct bank. Reference is made to **Table 7.6 (Types of Cable)** and [City of Columbus Standard Construction Drawing 4001](#).

Table 13.4
Minimum Number of Conduits

	Minimum No. of Conduits	Size of Conduit in.	Encasement Required
Signal cables - street crossing	2	2	Yes
Signal controller to primary pull box	2	3	No
	2	2	No
Power service	1	2	Yes***
Entry to traffic signal pedestal	2	2	No
Entry to traffic signal pole	2	2	No
Interconnect duct bank (in City ROW)	4	3	Yes
	1	1.5*	
Fiber optic interconnect duct (in LA-ROW**)	1	4 (multicell)	No
	1	4	
	1	1.5*	

* - Tracer wire conduit

** - EPC-80-PVC or EPEC-80-HDPE

*** - EPC-80-PVC or EPEC-80-HDPE, non-encased conduit may only be substituted with prior approval from the City Engineer or appointed designee.

13.4.4 Bridge Conduit

Conduit may be installed under the bridge deck, through the cross frames, behind the parapet walls, or attached to vertical surfaces. Conduit shall maintain the same configuration crossing the bridge as the adjacent duct bank. When located in the cross frames, the outermost cross frame section should be used to minimize the need for additional conduit bends. Locating conduit in the bridge deck or in the parapet wall requires approval from the City of Columbus, City Engineer or appointed designee.

Conduit mounted on the truss system under a bridge deck or located on the outside of a bridge parapet shall be reinforced fiberglass. Liquid tight

flexible metal conduit and fittings shall be used to connect the standard fiberglass reinforced conduit to the standard conduit. Expansion fittings shall be per the [Ohio Department of Transportation's Standard Construction Drawing HL-30.31](#)

13.5 Conduit Risers

For new anchor base pole installations, conduit risers shall not be used except for power service applications when a pole mounted cabinet is used on a strain pole; all signal and interconnect cables shall have a path through the pole structure.

13.5.1 Traffic Signal Conduit Riser Applications

Conduit risers used for traffic signal cables shall not be used on mast arm structures.

Section 13.5.1 is limited to conduit risers used for traffic signal cables. Interconnect and power applications are outlined in **Section 13.5.2** and **13.5.3**, respectively.

13.5.1.1 Existing Wood Pole

See [City of Columbus Standard Construction Drawing 4050](#).

13.5.1.2 Existing Anchor Base Pole

If conduit elbows are available in the existing foundation, signal cables shall be routed inside the signal pole.

If access through the signal pole foundation via conduit elbows does not exist, the following options shall be investigated and used in the order listed.

1. Signal cables shall be routed through a conduit riser on an existing, adjacent wood pole. Permits may be required by pole owner.
2. Install conduit into an entrance body over the top of the foundation as detailed on [City of Columbus Standard Construction Drawing 4050](#).

13.5.1.3 Existing Embedded Pole with Pole Mounted Cabinet

Conduit risers shall be used to provide access to a pole mounted cabinet. The access shall be from the top of the

pole via conduit riser to the bottom of the pole mounted cabinet.

When loop detector lead-in or other signal cables are underground on the same corner as the cabinet, they shall be routed to the controller as illustrated on [City of Columbus Standard Construction Drawing 4050](#). Underground cables must be routed through an entrance body at the base of the pole to the top, exit through a weatherhead at the top of the pole and into a conduit riser that provides access to the bottom of the traffic signal control cabinet. Access at the base of the pole shall use an entrance body as illustrated on [City of Columbus Standard Construction Drawing 4050](#).

13.5.1.4 Existing Embedded Pole with Ground Mounted Cabinet

From a loop pull box, or pedestal to an existing ground mounted cabinet on the same corner as an embedded pole: cables shall be routed through an entrance body at the base of the pole to the top, exit through a weatherhead at the top of the pole and into a conduit riser that provides access to the adjacent ground mounted cabinet.

13.5.2 Interconnect Conduit Risers

Conduit risers used for interconnect shall not be used on mast arm structures.

Conduit risers used for fiber optic and coaxial interconnect cable shall be of 725.04 modified as detailed on [City of Columbus Standard Construction Drawing 4404](#).

13.5.3 Power Service Conduit Risers

Conduit risers used for power service shall not be used on mast arm structures.

If an underground path to a traffic signal controller is not available, external conduit risers 725.051 (EPC-80-PVC) shall be used for power service on wood poles and strain poles (anchor base and embedded) to controller cabinets. Conduit risers shall be used as detailed on [City of Columbus Standard Construction Drawings 4051](#) and [4052](#). Conduit risers used for power service shall not be rigid metal (725.04) conduit.

13.6 Pull Boxes

13.6.1 Pull Box Locations

The conduit system layout should be developed in a manner to minimize the number of pull boxes needed for a traffic signal system. Pull boxes should be provided for the following conditions:

- When the total number of bends in a traffic signal conduit run exceeds 270 degrees. (See **Section 13.2.4** and the requirements outlined below for interconnect pull box and conduit alignment requirement).
- At the base of each traffic signal support (mast arm or strain pole) when underground cables extend from the base of the pole.
- At the base of a power service drop when the conduit run exceeds 75 ft. or there is a significant change in direction.
- When a conduit run exceeds 500 ft.
- At loop detector locations.

Pull boxes lids and frames should be placed entirely within, or entirely outside, the limits of sidewalk or a paved area. Locating a pull box partially in a paved area requires advanced approval from the City of Columbus, City Engineer or appointed designee.

Pull boxes shall be located to provide for a flush transition from the surrounding area to the pull box lid.

Where pull boxes are installed, the surrounding grade shall be 4:1 or flatter.

Pull boxes shall not be located in a curb ramp, which includes: slope, flares, top landing, and bottom landing. Where plans modify an existing traffic signal pull box located in any part of an existing curb ramp, the pull box shall be removed and relocated.

Typical interconnect pull box spacing should not exceed 500 ft. (520 ft. maximum) on a straight alignment. Pull boxes should be spaced evenly after considering field constraints and the following interconnect pull box placement guidelines:

- Adjacent to a traffic signal controller cabinet (this may also be used for signal cables.)
- Adjacent to an amplifier cabinet
- Adjacent to a camera cabinet
- At each end of a bridge
- At locations where aerial cable transitions to underground cable
- When a conduit run exceeds 500 ft.
- Intersections where a potential future traffic signal may occur.
- Locations where the conduit bank deflections are greater than the natural deflection of a conduit (typically 1 ft. of deflection per 10 ft. of length).

13.6.2 Pull Box Clearance

The same clearances outlined in **Section 13.2.3** and **Table 13.2** for conduit systems shall apply to pull boxes. Clearances shall be measured from the outside edge of the underground structure.

13.7 Pull Box Application

13.7.1 Loop Detector Pull Boxes (12 in. x 18 in.) and (13 in. x 24 in.)

A loop detector pull box is used for loop lead-in (homerun) cables. Other traffic signal cables should not be combined in this type of pull box.

A 12 in. x 18 in. pull box shall be used when less than 4 loops leads are served. A 13 in. x 24 in. pull box shall be used when 4 to 6 loops are served. If more than 6 loops are served, multiple 12 in. x 18 in. pull boxes shall be used.

Either pull box may be placed over an interconnect conduit bank with the loop conduit encased in the conduit bank. See [City of Columbus Standard Construction Drawing 4024](#).

Loop detector pull boxes shall not be used in traveled areas such as roads, driveways, berms, or parking lots. These pull boxes shall only be used where there is incidental travel by light to medium duty vehicles, (i.e. tractors and mowers). It is preferred that the pull box be located in grass areas, but may be in sidewalks if necessary.

13.7.2 Pull Box (27 in.)

A 27 in. (inside diameter) round pull box shall be used for all traffic signal cables, except power cable and interconnect cable. These pull boxes should not be used in the roadway and are typically located adjacent to the traffic signal cabinets and mast arm supports. These pull boxes contain prefabricated knockouts for conduit entry. The capacity of the knockout should be compared to the number and size of the conduits entering the pull box. Knockouts may be enlarged, but on rare occasions a larger pull box may be needed. See [City of Columbus Standard Construction Drawing 4021](#) for additional details.

13.7.3 Pull Boxes (32 in.)

A 32 in. (inside diameter) round pull box shall be used for traffic signal cable when it is placed in the street. A 32 in. pull box shall also be used for interconnect cable including coaxial, fiber optic, and twisted pair cables. These pull boxes contain prefabricated knockouts for conduit entry. The capacity of the knockout should be compared to the number and size of the conduits entering the pull box. Knockouts may be enlarged, but on rare occasions a larger pull box may be needed. See [City of Columbus Standard Construction Drawing 4022](#) for additional details.

Water must be drained properly from interconnect pull boxes so water and water vapor do not enter the controller cabinet and cause damage to the electronic equipment. Interconnect pull boxes located at a low point shall contain a pull box underdrain. The underdrain shall consist of Item 603 Type E, non-perforated, 4 in., PVC conduit. If the conduit bank continuously runs downhill for 100 ft. or more, then the lowest 2 pull boxes may need an underdrain to properly discharge water from the conduit system. Pull box underdrain installation details are provided on [City of Columbus Standard Construction Drawing 4020](#).

The discharge outlet can be inserted into a roadway storm curb inlet, a storm manhole or onto the ground, but not into a sanitary or combination sanitary/storm system. Positive drainage away from the pull box and cabinet must be developed. If a ground outlet is used, then a louvered pipe end cap shall be used so animals cannot enter the pipe. A louvered end cap shall also be installed in the pull box if the underdrain pipe enters the pull box from the bottom. The underdrain flow line shall be level or slightly below the bottom of the pull box housing.

13.7.4 Pull Boxes (48 in.)

Use of a 48 in. (inside diameter) pull box requires advanced authorization or direction from the City of Columbus, City Engineer or appointed designee. [City of Columbus Standard Construction Drawing 4023](#) details this 48 in. pull box. Two types are illustrated:

- Type 1, provide for a standard 14 in. x 18 in. conduit knockout.
- Type 2, provides for a 14 in. wide conduit knockout that extends to the bottom of the pull box for use when placing over an existing conduit bank.

A 48 in. pull box shall be used in the following applications, where feasible:

- Placement at the ends of bridges
- Where splice enclosures are used.
- Interconnect applications in ODOT LA-ROW
- Adjacent to communication or traffic signal controller cabinets.

Pull box placement and drainage requirement shall conform to the requirements listed in **Section 13.7.3**.

13.7.5 Traffic Signal Power Pull Box

Where pull boxes are needed in the power service conduit run, a standard non-metallic loop detector pull box (12 in. x 18 in.) shall be specified. No other cables shall be routed through this pull box.

A pull box shall be specified for power use under the following conditions:

- At the base of a power service pole if the conduit run exceeds 75 ft.
- Adjacent to a pad mounted transformer.
- When there is a significant change in direction.

13.8 Underground Facilities Plan Components

13.8.1 Conduit

Each conduit run shall be detailed with a leader and an individual callout. Conduit callouts shall individually list each conduit and indicate which cables should be installed in that conduit. Conduit callouts should also denote the method of installation, if encasement is required, and the length in feet. When multiple conduits are located in the same run, only one line should be shown on the drawings.

Interconnect Duct Bank

The interconnect duct bank shall be identified as a conduit bank. Conduit callouts shall individually list each conduit and indicate which cables should be installed in that conduit. An interconnect cable conduit bank typical for each configuration shall be provided on the interconnect plan sheets. One typical per each conduit bank cross-section shall be used. Cable shall be installed in the conduits in such a manner as to maintain the same relative position throughout a run (for example: if a cable is in the bottom east conduit at one end of a run, it shall be in the bottom east conduit throughout the remainder of that run).

Station numbers and/or symbol markers are to be used to denote the limits of a particular conduit bank configuration. The cross section shall illustrate which cables are located in which conduits, the trench width and depth, encasement width and depth, and the direction viewed. Sizes of conduits other than the primary (interconnect) conduits shall be identified on the typical. Conduit bank typical shall conform to the requirements detailed in the [City of Columbus Standard Construction Drawings 4000 and 4001](#).

Conduit and conduit bank call outs shall be as shown in the examples listed below.

Example 1

(1)-2" Conduit w/ (1)-9/C, (5)-7/C, (2)-3/C & (1)-GND
 (1)-2" Conduit w/ (8)-2/C
(1)-3" Conduit w/ (1)-Interconnect Cable
 Encased In Trench = XX'

Example 2

(1)-2" Conduit w/ (1)-9/C, (2)-7/C, (2)-Lighting, & (1)-GND
(1)-2" Conduit w/ (4)-2/C & (2)-Video Detection Cables
 In Trench = XX'

Example 3

(1)-2" Conduit w/ (1)-9/C, & (1)-GND
(1)-2" Conduit – Empty
 In Trench = XX'

Example 4

(1)-2" Conduit w/ (1)-9/C, (3)-7/C & (1)-GND
(1)-2" Conduit w/ (5)-2/C
 Directional Bored or Drilled Under Pavement = XX'

Example 5

(1)-2" Conduit w/ (1)-9/C, (3)-7/C & (1)-GND
(1)-2" Conduit w/ (5)-2/C
 Encased In Trench, Type B = XX'

Example 6

(1)-2" Conduit w/ (1)-GND
(1)-2" Conduit w/ (1)-2/C
 In Trench = XX'

Example 7

CONDUIT BANK #
 (4)-3" Conduits (See Interconnect Plan)
 (1)-2" Conduit w/ (1)-9/C, (2)-7/C, (2)-Lighting, & (1)-GND
 (1)-2" Conduit w/ (4)-2/C & (2)-Video Detection Cables
(1)-1.5" Conduit w/Tracer
 Encased Conduit Bank = XX'

("#" shall correspond to conduit typical section reference number)

13.8.2 Pull Boxes

Each pull box shall be detailed with a leader and an individual callout. Pull box callouts shall list the pull box size and station/offset to an accuracy of a tenth of a foot. Pull box symbols illustrated on the plan shall accurately represent the outside limits (size and shape) of the pull box as listed in **Table 13.5**.

Table 13.5
Pull Box Dimensions

Pull Box Type	Plan Callout Size (in.)	Dimensions To Show on Plan (in.)
Loop detector pull box	12 x 18	12 x 18
Loop detector pull box	13 x 24	13 x 24
Traffic signal pull box	27	35 (dia.)
Interconnect pull box - 1	32	44 (dia.)
Interconnect pull box - 2	48	58 (dia.)

Conduit routing should be as direct as possible between pull boxes. When practical, conduit should enter through the prefabricated knockouts. When entering through the prefabricated knockout results in an excess amount of conduit deflection/bending, core drilling is an acceptable alternative.

Pull box call out examples are listed below.

Example 1

Pull Box, (725.06), (Size)
Station XXX+XX.X, XX.X' RT.

Example 2

Pull Box, (725.08), (Size)
Station XXX+XX.X, XX.X' RT.

CHAPTER 14: REMOVAL AND REUSE OF TRAFFIC SIGNAL INSTALLATIONS

14.1 Removal of Existing Traffic Signal

Traffic signal removal guidelines for existing installations have been segmented into two categories as listed below. Permanent removal is outside the scope of this document.

- Temporary Removal
- Removal for Replacement

14.1.1 Temporary Removal

When construction operations deactivate a traffic signal for a short time period (less than three weeks) the standard reactivation flash period of 7 days shall be followed except with the following modification.

- SIGNAL AHEAD and NEW signs are not required.

If the out of service time period exceeds 3 weeks, then the re-activation of the signal will be treated as if it were a new installation.

If the road is completely closed to traffic and reopens, then no flashing operation is required.

14.1.2 Removal for Replacement

Layout of a proposed traffic signal should consider the location of the existing signal equipment. When feasible, the proposed traffic signal should be designed to allow the existing traffic signal to remain operational during construction of the new installation. Where conflicts exist, use of temporary traffic signals or an off duty uniformed officer may be required. **Chapter 3** provides additional information with respect to temporary signalization requirements.

A non-active traffic signal head shall be covered and shall not block the view of an active traffic signal head.

The proximity of proposed foundations to existing foundations/supports shall be considered during design. Excavation for a new foundation/support shall not be conducted within 5 ft. of an existing foundation. Excavation between 5 ft. and 8 ft. shall not be conducted without adequate support. Support strategies may involve down guys, base guys, mechanical/crane support, or temporary supports.

14.2 Removal of New, Unwarranted, Traffic Signal

When a traffic signal is installed based on projected volumes of future development, the warrant status may not be determined until the time of installation. Under these conditions only portions of the signal installation shall be installed. Underground infrastructure (conduit and pull boxes) shall be installed during construction. Conduit shall be installed to the center of the planned pedestrian or signal support structures and capped. All other elements of the traffic signal shall be delivered to the traffic shop for storage.

14.3 Removal of Existing Traffic Signal – Plan Components

When a traffic signal is specified for removal, a chart similar to **Table 14.1** shall be included detailing the items to be removed and the salvage or disposal status.

Table 14.1
Example Traffic Signal Removal Chart

Quantity	Removed Item Description	Delivered To 1820 E. 17th Ave.	Disposed of By Project
1	Pole Mounted Cabinet	X	
Lump	Signal Cable and Messenger Wire		X
8	Vehicular Signal Head	X	
4	Pedestrian Pushbutton and Signs	X	
8	Pedestrian Signal Head	X	
2	Audible Pedestrian Unit	X	
2	Anchor Base Pole	X	
2	Embedded Pole		X
2	Pedestrian Pedestal	X	
4	Pull Box (poly-concrete)		X
4	Pull box (concrete; i.e. 27" or 32")	X	
3	Span Mounted Sign	X	
4	Street Name Sign	X	
5	Controller/Pole Foundation		X

14.4 Reuse of Traffic Signal Equipment

Reuse of existing traffic signal equipment requires approval from the City of Columbus, City Engineer or appointed designee. When existing signal components are specified for relocation and/or reuse, plan notes shall be included outlining the relocation requirements.

CHAPTER 15: TIMING / PHASING

15.1 Traffic Signal Timing

15.1.1 Yellow Clearance Interval

A yellow signal indication shall be displayed following every circular green or green arrow indication. **Equation 15.1** should be used to establish the yellow clearance interval time. Typical yellow clearance times are listed in **Table 15.1**.

When opposite approaches at an intersection have different speed limits or 85th percentile speeds, calculate the yellow clearance interval for both approaches and use the larger of the two values for both approaches.

The yellow change interval should have a minimum duration of 3.0 seconds and a maximum duration of 6.0 seconds.

Equation 15.1
(Yellow Clearance Interval)

$$Y = t + \frac{V}{2a + 64.4g}$$

Where:

Y = Yellow Clearance Interval

t = Perception-reaction time (normally 1 second)

g = Percent grade (positive for upgrade, negative for downgrade)

a = Deceleration rate (ft./sec.²) (typically 10 ft./sec.²)

V = Speed limit or 85th percentile speed (if available) in ft./sec. (fps).

15.1.1.1 Red Light Photo Enforcement

When an intersection is monitored by red light photo enforcement, 1 additional second shall be added to the calculated yellow time of the phase(s) associated with the movements being photo enforced. Reference is made to the [Ohio Revised Code](#), Section 4511.094(C).

15.1.2 Red Clearance Interval

For City of Columbus maintained signals, the yellow change interval should be followed by a red clearance interval of sufficient duration to permit traffic to clear the intersection before conflicting traffic movements are released.

The red clearance interval should be calculated based on **Equation 15.2**. Typical red clearance intervals are listed in **Table 15.1**.

Except when clearing an exceptionally wide intersection, the red clearance interval should have a duration not exceeding 3 seconds. However, field conditions and engineering judgment may dictate the use of a longer red clearance interval. Additionally, the [Ohio Manual Of Uniform Traffic Control Devices](#) indicates the red clearance interval should not exceed 6 seconds. The red clearance interval should not have a duration shorter than 1 second.

When opposite approaches at an intersection have different speed limits or 85th percentile speeds, calculate the red clearance interval for both approaches and use the larger of the two values for both approaches.

Equation 15.2
(Red Clearance Interval)

$$R = \frac{W + L}{V}$$

Where:

R = Red clearance interval

L = Length of vehicle in ft. (typically assumed to be 20 ft.)

W = Width of intersection (ft.) (measured from the near side stop line to the far edge of the far crosswalk line, along the actual vehicular path.)

V = Speed limit or 85th percentile speed (if available) in ft./sec. (fps) for through vehicles and 29.33 ft./second (20 mph) for left turn vehicles.

Table 15.1 represents typical values for yellow and red clearance. Adjustments to these values may be needed to accommodate site conditions such as street grade, truck traffic or crash history.

Table 15.1
Vehicular Clearance Times

		Intersection Width (ft.)																		
		25	30	35	40	45	50	55	60	65	70	75	80	85	90	95	100	105	110	120
20	Yellow	3.0	3.0	3.0	3.0	3.0	3.0	3.0	3.0	3.0	3.0	3.0	3.0	3.0	3.0	3.0	3.0	3.0	3.0	3.0
	Red	1.5	1.7	1.9	2.0	2.2	2.4	2.6	2.7	2.9	*3.0	*3.0	*3.0	*3.0	*3.0	*3.0	*3.0	*3.0	*3.0	*3.0
25	Yellow	3.0	3.0	3.0	3.0	3.0	3.0	3.0	3.0	3.0	3.0	3.0	3.0	3.0	3.0	3.0	3.0	3.0	3.0	3.0
	Red	1.2	1.4	1.5	1.6	1.8	1.9	2.0	2.2	2.3	2.5	2.6	2.7	2.9	3.0	*3.0	*3.0	*3.0	*3.0	*3.0
30	Yellow	3.2	3.2	3.2	3.2	3.2	3.2	3.2	3.2	3.2	3.2	3.2	3.2	3.2	3.2	3.2	3.2	3.2	3.2	3.2
	Red	1.0	1.1	1.3	1.4	1.5	1.6	1.7	1.8	1.9	2.0	2.2	2.3	2.4	2.5	2.6	2.7	2.8	3.0	*3.0
35	Yellow	3.6	3.6	3.6	3.6	3.6	3.6	3.6	3.6	3.6	3.6	3.6	3.6	3.6	3.6	3.6	3.6	3.6	3.6	3.6
	Red	1.0	1.0	1.1	1.2	1.3	1.4	1.5	1.6	1.7	1.8	1.9	1.9	2.0	2.1	2.2	2.3	2.4	2.5	2.7
40	Yellow	3.9	3.9	3.9	3.9	3.9	3.9	3.9	3.9	3.9	3.9	3.9	3.9	3.9	3.9	3.9	3.9	3.9	3.9	3.9
	Red	1.0	1.0	1.0	1.0	1.1	1.2	1.3	1.4	1.4	1.5	1.6	1.7	1.8	1.9	2.0	2.0	2.1	2.2	2.4
45	Yellow	4.3	4.3	4.3	4.3	4.3	4.3	4.3	4.3	4.3	4.3	4.3	4.3	4.3	4.3	4.3	4.3	4.3	4.3	4.3
	Red	1.0	1.0	1.0	1.0	1.0	1.1	1.1	1.2	1.3	1.4	1.4	1.5	1.6	1.7	1.7	1.8	1.9	2.0	2.1
50	Yellow	4.7	4.7	4.7	4.7	4.7	4.7	4.7	4.7	4.7	4.7	4.7	4.7	4.7	4.7	4.7	4.7	4.7	4.7	4.7
	Red	1.0	1.0	1.0	1.0	1.0	1.0	1.0	1.1	1.2	1.2	1.3	1.4	1.4	1.5	1.6	1.6	1.7	1.8	1.9
55	Yellow	5.0	5.0	5.0	5.0	5.0	5.0	5.0	5.0	5.0	5.0	5.0	5.0	5.0	5.0	5.0	5.0	5.0	5.0	5.0
	Red	1.0	1.0	1.0	1.0	1.0	1.0	1.0	1.0	1.1	1.1	1.2	1.2	1.3	1.4	1.4	1.5	1.5	1.6	1.7
60	Yellow	5.4	5.4	5.4	5.4	5.4	5.4	5.4	5.4	5.4	5.4	5.4	5.4	5.4	5.4	5.4	5.4	5.4	5.4	5.4
	Red	1.0	1.0	1.0	1.0	1.0	1.0	1.0	1.0	1.0	1.0	1.1	1.1	1.2	1.3	1.3	1.4	1.4	1.5	1.6

* See the **Section 15.1.2**

15.1.3 Pedestrian Walk Time

The WALKING PERSON indication should be displayed for a minimum of 7 seconds. Shorter times will only be permitted as outlined in the [Ohio Manual of Uniform Traffic Control Devices](#), Section 4E.06.

When accessible pedestrian signal are used, the minimum walk interval shall be 10 seconds for the corresponding phase(s). A 10 second walk interval should also be considered when large groups of pedestrians, or consistent pedestrian traffic consisting of children or mobility impaired pedestrians, are expected to use the crossing(s).

Pedestrian walk times shall be rounded to the next whole second.

15.1.4 Pedestrian Clearance Interval

The pedestrian clearance time should be sufficient to allow a pedestrian crossing in the crosswalk who left the curb or shoulder at the end of the WALKING PERSON (symbolizing WALK) signal indication to travel at a walking speed of 3.5 ft. per second, to at least the far side of the traveled way or to a median of sufficient width for pedestrians to wait. See **Equation 15.3**.

Additionally, the total of the walk interval and pedestrian clearance time should be sufficient to allow a pedestrian crossing in the crosswalk who left the pedestrian detector (or, if no pedestrian detector is present, a location 6 ft. from the face of the curb or from the edge of the pavement) at the beginning of the WALKING PERSON (symbolizing WALK) signal indication to travel at a walking speed of 3 ft. per second to the far side of the traveled way being crossed or to the median if a two-stage pedestrian crossing sequence is used. Any additional time that is required to satisfy the conditions of this paragraph should be added to the WALK interval.

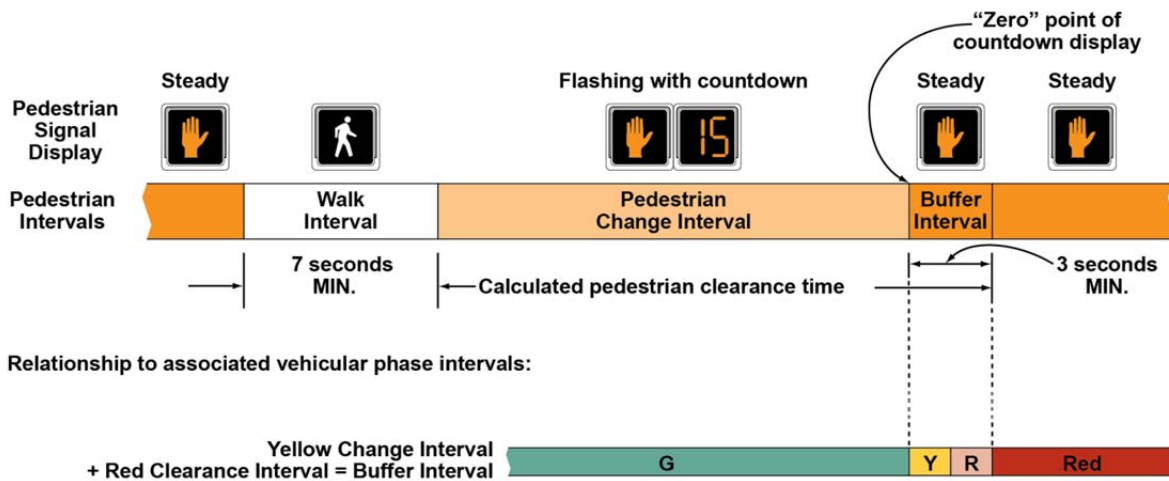
For City of Columbus maintained intersections, the pedestrian clearance time shall include: the flashing DON'T WALK interval, the YELLOW interval and the all RED clearance (All Red) interval prior to the beginning of conflicting vehicular movements. Walk and pedestrian clearance time relationships are graphically illustrated in **Figure 15.1**

Pedestrian clearance times shall be rounded to the next whole second.

**Equation 15.3
(Pedestrian Clearance Time)**

$$\text{Ped Clearance Time} = \frac{\text{Crossing Distance}}{\text{Walking Speed}}$$

**Figure 15.1
Pedestrian Intervals**



Legend

- G= Green Interval
- Y = Yellow change interval (min. 3 seconds).
- R= Red clearance interval (All Red)
- Red= Red because conflicting traffic has been released

15.1.5 Minimum Initial Green Time

Minimum initial green time on the major street (pedestrian and minimum vehicular recall “on”) shall be set to clear vehicles queued between the stop line and the first advanced detector as well as accommodate pedestrian clearance times associated with the phase. Time to discharge the initial queue should be based on a 2 second start up time, a 2 second vehicle headway and an average vehicle spacing of 25 ft. A minimum value of 20 seconds should be specified, unless the sum of the walk and pedestrian clearance is greater, then that value shall be used.

Minimum initial green time for minor street or left turn movements (pedestrian and minimum vehicular recall “off”) shall be set based on volume demand and fall within the following ranges listed below. Use the lowest practical value.

Minimum initial green times shall be in whole numbers.

- Left turn phase: 7 to 10 seconds
- Minor street: 7 to 15 seconds, (Typically 10 seconds)

15.1.6 Maximum Green Time

Maximum green time for each phase shall be set to accommodate the vehicle and pedestrian demand for each approach considering cycle length, total volume demand for the intersection and coordination requirements.

Traffic signal timing software packages including, but not limited to: Highway Capacity Software and Synchro/Simtraffic can be used to assist with the development of maximum green times.

Maximum initial green times shall be in whole numbers.

15.1.7 Passage and Extension Time

15.1.7.1 Posted Speed 35 MPH or Less

When the posted speed is 35 miles per hour or less the passage time shall be set to 3.7 seconds and detector unit extension time shall not be used.

15.1.7.2 Posted Speed 40 MPH or Greater

Vehicle detectors shall be located per the placement details

outlined in **Section 9.3.8** to provide for dilemma zone protection. When available, actual vehicle speeds should be used to determine the dilemma zone protection range with the lower end set to the 15th percentile speed and upper range set to the 85th percentile speed. If speed data is not available, 35 miles per hour shall be used as the lower threshold and the posted speed shall be used as the upper threshold.

Passage time shall be established by determining the time it takes to get from the near detector to the intersection (face of curb/edge line extension, near side) at the 15th percentile (or 35 MPH) speed.

In combination with the passage time, the detector unit extension function is used to get a vehicle from the far detector to the near detector at the low speed value of the dilemma range (15th percentile or 35 MPH). Extension time is added to the passage time and is only applied to the far detector. Example calculations are provided.

Dilemma Zone Example #1

Dilemma zone range = 35 MPH to 55 MPH

Far detector located at 403 ft. (see **Section 9.3.8**)

Near detector located at 110 ft. (see **Section 9.3.8**)

Distance from near detector to cross street = 163 ft.

Establish time between detectors at 35 MPH

403 ft. – 110ft. = 293 ft.

293 ft. ÷ 51 ft./sec. (35 MPH x 1.467) = 5.7 sec.

Passage Time = 163 ft. ÷ 51 ft./sec. = 3.2 sec.

Extension Time = 5.7 sec. – 3.2 sec. = 2.5 sec.

Dilemma Zone Example #2

Dilemma zone range = 45 MPH to 55 MPH

85th percentile speed = 55 MPH

15th percentile speed = 45 MPH

Far detector located at 403 ft. (see **Section 9.3.8**)

Near detector located at 110 ft. (see **Section 9.3.8**)

Distance from near detector to cross street = 160 ft.

Establish time between detectors at 45 MPH

$$403 \text{ ft.} - 110 \text{ ft.} = 293 \text{ ft.}$$

$$293 \text{ ft.} \div 66 \text{ ft./sec. (45 MPH} \times 1.467) = 4.4 \text{ sec.}$$

$$\underline{\text{Passage Time}} = 160 \text{ ft.} \div 66 \text{ ft./sec.} = 2.4 \text{ sec.}$$

$$\underline{\text{Extension Time}} = 4.4 \text{ sec.} - 2.2 \text{ sec.} = 2.0 \text{ sec.}$$

15.2 Traffic Signal Phasing

15.2.1 Phasing Directions

Traffic signal phasing examples are illustrated in **Figures 15.2** through **Figure 15.24**, detailing 2, 3, 4 and 8 phase configurations and assignments. These figures are only examples and must be tailored to accommodate the individual characteristics of each application. The phase direction assignments illustrated in these examples shall be used unless otherwise directed by the City of Columbus, City Engineer or appointed designee.

15.2.2 Vehicle and Pedestrian Recall and Memory

For major street phase(s); pedestrian recall, minimum vehicular recall and memory should be set to "ON" in the controller. For minor street phase(s) with pedestrian pushbuttons and presence detection or left turn phase(s) with stop line detection; pedestrian recall, vehicular recall and memory should be set to "OFF".

15.2.3 Left-turn Phasing

Application of a dedicated left turn phase shall be based on the results of an independent analysis. A left turn phase should be considered under any of the following conditions:

- 5 or more left-turn crashes per million left-turn vehicles.
- When capacity analysis from Highway Capacity Software (HCS) or Synchro analysis indicates a poor level-of-service without a left turn phase.
- If the left turn volume exceeds 240 vehicles/hour.
- If the product of (left turn volume x opposing through traffic) exceeds: 50,000 with 1 opposing lane, 90,000 with 2 opposing lanes, and 110,000 with 3 opposing lanes (Reference the 2010 Highway Capacity Manual Chapter 31, Page 87), and the left-turn volume is greater than

2 vehicles per cycle, a left turn phase should be considered. Analyses should be based on peak hour data.

Protected Only left turn phasing shall be used under the following conditions:

- Sight distance limitations due to offset left turn lane or skewed intersection geometry.
- When double left turn lanes are provided.
- When a permitted/protected left turn phase is in operation and a continued crash rate of 5 or more left-turn crashes per million left-turn vehicles occur.

15.2.4 Split Phasing

Split phasing shall be used when traditional intersection phasing would result in conflicts with simultaneous movements.

Examples include:

- Poor lane alignment
- Offset intersections
- Overlapping left turns
- A significant imbalance in side street volumes
- When the left turn movement of a through/left lane is required to operate under protected only mode.

15.2.5 Yellow Trap

Yellow trap is a term used to describe a condition which occurs during certain yellow change intervals. A yellow trap occurs when a left turning driver is presented a yellow indication, but the opposing through movement remains green. The left turning driver incorrectly assumes the opposing traffic is also presented a yellow indication and may execute a left turn movement without a sufficient gap. This condition can occur under the following scenarios:

- When permissive left-turns are allowed in the opposing direction from a major street left-turn phase, and the left-turn phase is allowed to be displayed following the opposing thru phase (lagging left-turn phase).

- During a transition into preemption, with or without Protected/Permissive Left-Turn Signal Face Displays and the sequence is changing from a concurrent through movement to a through and left-turn movement in the same direction of travel (lagging left turn).

The following are examples of methods which can be used to resolve the yellow trap condition:

- Left-turn signal face displays on an approach to the intersection where yellow trap occurs can be changed to Protected Only displays.
- Opposing movements may be reconfigured to provide exclusive or “split” phase sequencing.
- During a transition into preemption, the controller sequence may be designed such that both directions of travel transition to red before the display of a green indication on a single approach. This ensures that there is a simultaneous display of CIRCULAR YELLOW on both approaches prior to the display of green on a single approach.
- The signal plans shall contain plan notes to omit calls to protected/permitted left-turn phases as necessary to resolve yellow trap conditions. The traffic signal controller programming shall incorporate this information to resolve yellow trap conditions. Additionally, left turn prevention wiring diodes shall be used to prevent protected/permissive left turn yellow trap scenarios. A cut out relay should be used to prevent protected only left turn yellow trap scenarios. [City of Columbus Standard Construction Drawing 4332](#), details the yellow trap prevention cut outs and relays.

The use of W25-1 and W25-2 signs (ONCOMING TRAFFIC HAS EXTENDED GREEN and ONCOMING TRAFFIC MAY HAVE EXTENDED GREEN, respectively) are not recommended by the City of Columbus to resolve a yellow trap condition.

Whenever preemption is provided, careful consideration must be given to the design of the signal sequence under all modes to prevent the display of yellow trap.

15.2.6 Lead/Lag Phasing

Lead phasing refers to left turns being served prior to the opposing through phase. Lag phasing refers to left turns being served after the opposing through phase. When lead/lag phasing is used, the leading left turn phase shall be protected only to prevent a yellow trap condition associated with the lagging left turn phase.

Lead/Lag left turn phasing is often used when the vehicle paths from protected only left turn movements conflict. In all cases when used, caution should be taken to avoid a yellow trap condition.

15.3 Plan Components

15.3.1 Phasing Diagram

A phasing diagram shall be furnished detailing the sequence of both vehicular and pedestrian movements. Phasing diagrams shall be customized to each intersection and accurately reflect the number of lanes on each approach. Only active movements shall be illustrated in an individual phasing circle. Example phasing diagrams are detailed in **Figures 15.2** through **Figure 15.24**.

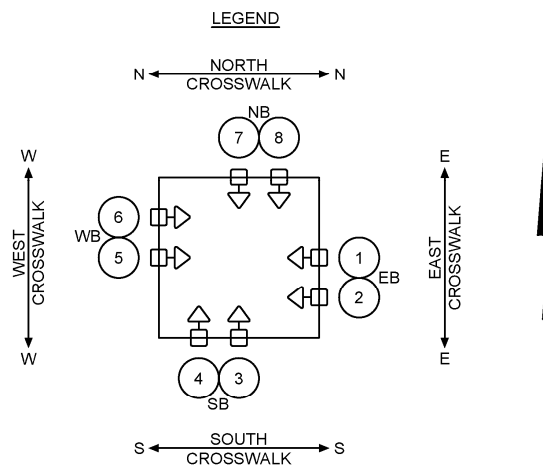
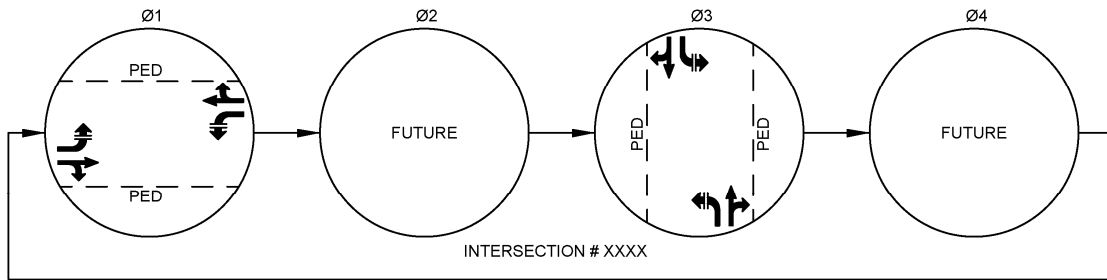
15.3.2 Field Wiring Hook-up Chart

A field wiring hook-up chart shall be furnished detailing the relationship between individual vehicular and pedestrian signal indications and their associated controller phase. Example field wiring hook-up charts are detailed in **Figures 15.2** through **Figure 15.24**.

15.3.3 Timing Chart

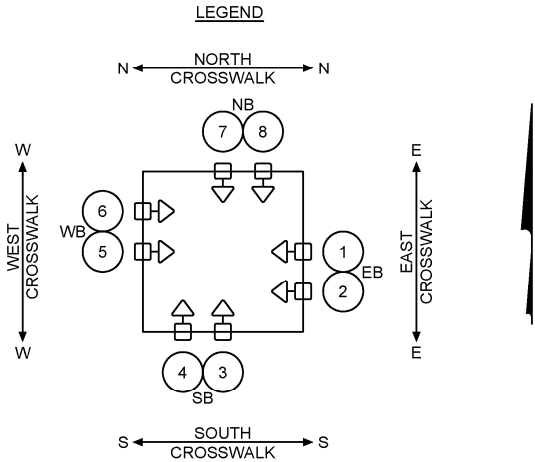
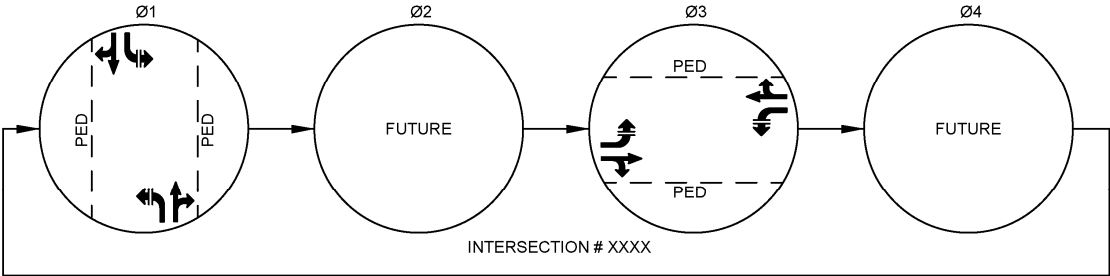
Example timing charts are illustrated in **Table 15.2** through **Table 15.5**. **Section 15.1** outlines computational procedures for individual components.

Figure 15.2
2 Phase Example
East-West Mainline



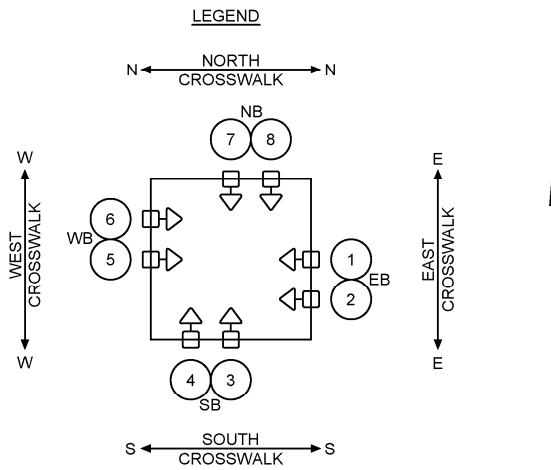
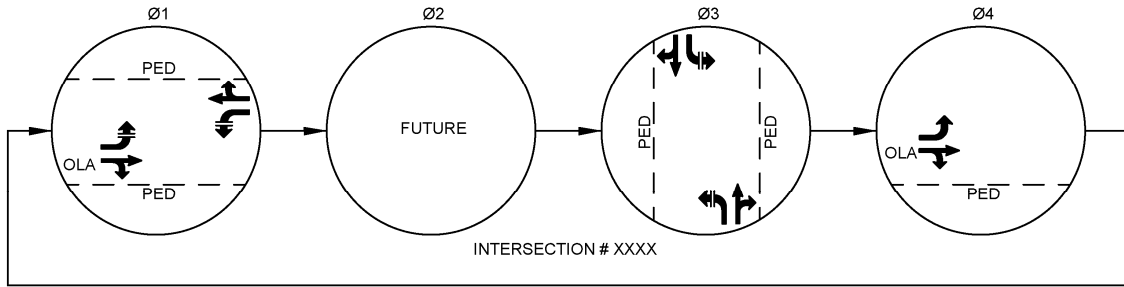
FIELD WIRING HOOK-UP CHART							
SIGNAL HEAD #	INDICATION	FIELD TERMINAL	FLASH	SIGNAL HEAD #	INDICATION	FIELD TERMINAL	FLASH
1,2 (EB)	R	Ø1 R	Y	N (NORTH)	WALK	G (Ø1)-W	OFF
	Y	Ø1 Y			DON'T WALK	R (Ø1)-DW	
	G	Ø1 G		E (EAST)	WALK	G (Ø3)-W	OFF
R	Ø3 R	DON'T WALK	R (Ø3)-DW				
3,4 (SB)	Y	Ø3 Y	R	S (SOUTH)	WALK	G (Ø1)-W	OFF
	G	Ø3 G			DON'T WALK	R (Ø1)-DW	
	5,6 (WB)	R		Ø1 R	Y	W (WEST)	WALK
Y		Ø1 Y	DON'T WALK	R (Ø3)-DW			
G		Ø1 G	7,8 (NB)	R		Ø3 R	R
Y	Ø3 Y						
G	Ø3 G						

Figure 15.3
2 Phase Example
North-South Mainline



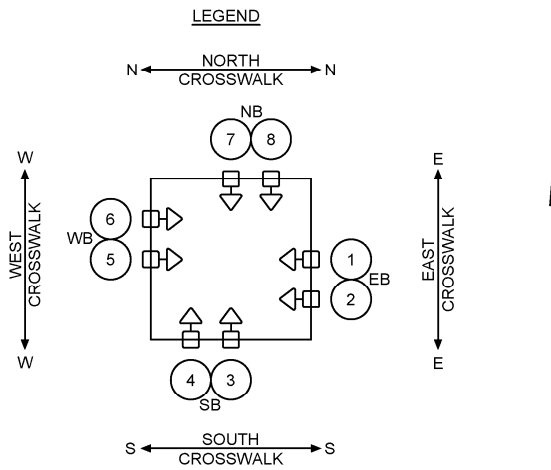
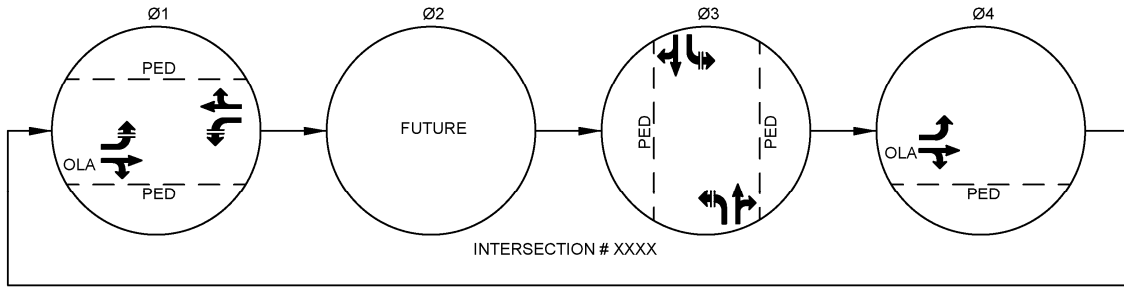
FIELD WIRING HOOK-UP CHART							
SIGNAL HEAD #	INDICATION	FIELD TERMINAL	FLASH	SIGNAL HEAD #	INDICATION	FIELD TERMINAL	FLASH
1,2 (EB)	R	Ø3 R	R	N (NORTH)	WALK	G (Ø3)-W	OFF
	Y	Ø3 Y			DONT WALK	R (Ø3)-DW	
	G	Ø3 G		E (EAST)	WALK	G (Ø1)-W	OFF
3,4 (SB)	R	Ø1 R	Y	S (SOUTH)	DONT WALK	R (Ø1)-DW	
	Y	Ø1 Y			WALK	G (Ø3)-W	OFF
	G	Ø1 G		W (WEST)	DONT WALK	R (Ø3)-DW	
5,6 (WB)	R	Ø3 R	R	W (WEST)	WALK	G (Ø1)-W	OFF
	Y	Ø3 Y			DONT WALK	R (Ø1)-DW	
	G	Ø3 G		7,8 (NB)	R	Ø1 R	Y
7,8 (NB)	Y	Ø1 Y	Y	Y	Ø1 Y		
	G	Ø1 G		G	Ø1 G		

Figure 15.4
3 Phase Example
East-West Mainline with Leading EBLT Phase



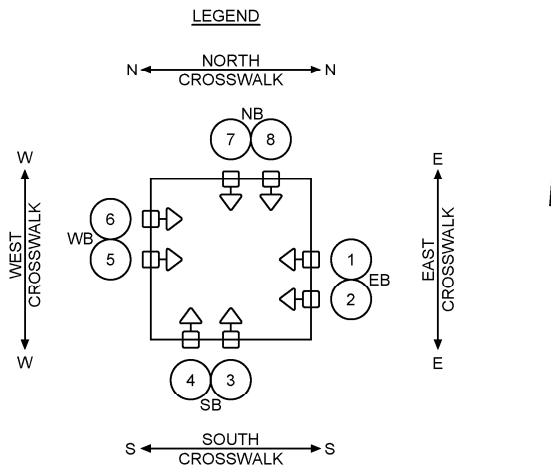
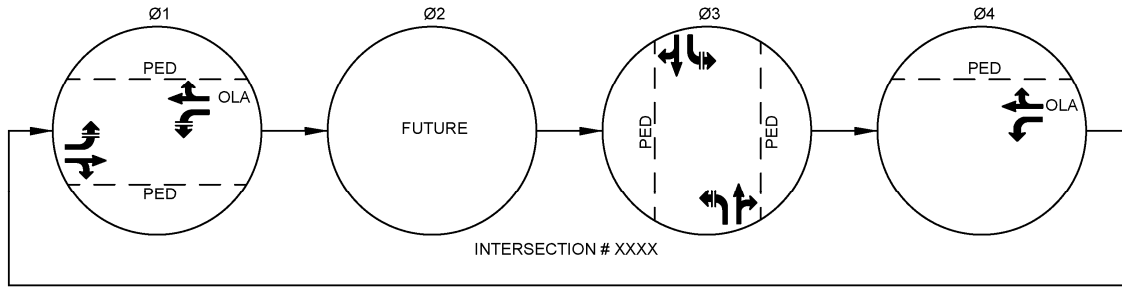
FIELD WIRING HOOK-UP CHART							
SIGNAL HEAD #	INDICATION	FIELD TERMINAL	FLASH	SIGNAL HEAD #	INDICATION	FIELD TERMINAL	FLASH
1 (EBLT)	R	OLA R	Y	7,8 (NB)	R	Ø3 R	R
	Y	OLA Y			Y	Ø3 Y	
	G	OLA G			G	Ø3 G	
	←Y	Ø4 Y		N (NORTH)	WALK	G (Ø1)-W	OFF
	←G	Ø4 G			DON'T WALK	R (Ø1)-DW	
2 (EB)	R	OLA R	Y	E (EAST)	WALK	G (Ø3)-W	OFF
	Y	OLA Y			DON'T WALK	R (Ø3)-DW	
	G	OLA G		S (SOUTH)	WALK	G (Ø1)-W	OFF
Y	Ø3 Y	DON'T WALK	R (Ø1)-DW				
3,4 (SB)	R	Ø3 R	R	W (WEST)	WALK	G (Ø3)-W	OFF
	Y	Ø3 Y			DON'T WALK	R (Ø3)-DW	
	G	Ø3 G		5,6 (WB)	R	Ø1 R	Y
Y	Ø1 Y						
G	Ø1 G						
				OLA = LS 5			
				OLA = Ø1+Ø4			

Figure 15.5
3 Phase Example
East-West Mainline with Lagging EBLT Phase



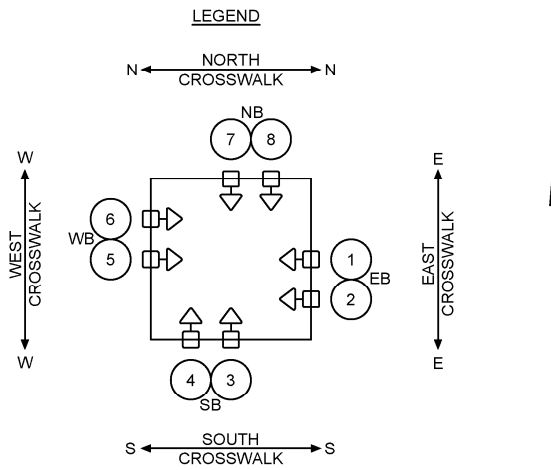
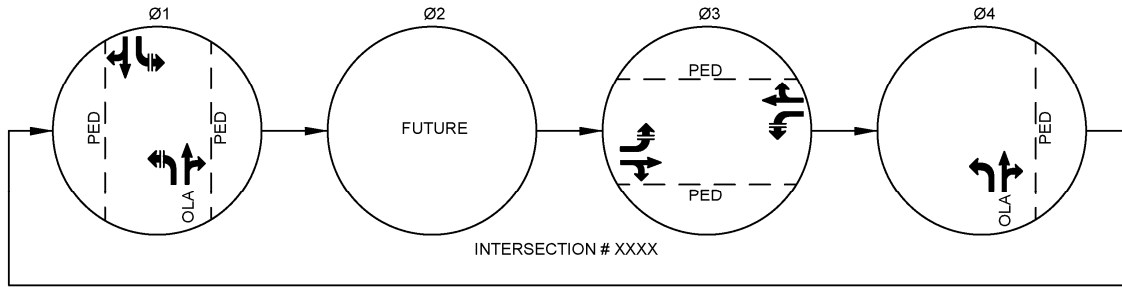
FIELD WIRING HOOK-UP CHART							
SIGNAL HEAD #	INDICATION	FIELD TERMINAL	FLASH	SIGNAL HEAD #	INDICATION	FIELD TERMINAL	FLASH
1 (EBLT)	R	OLA R	Y	7,8 (NB)	R	Ø3 R	R
	Y	OLA Y			Y	Ø3 Y	
	G	OLA G			G	Ø3 G	
	←Y	Ø4 Y		N (NORTH)	WALK	G (Ø1)-W	OFF
	←G	Ø4 G			DON'T WALK	R (Ø1)-DW	
2 (EB)	R	OLA R	Y	E (EAST)	WALK	G (Ø3)-W	OFF
	Y	OLA Y			DON'T WALK	R (Ø3)-DW	
	G	OLA G		S (SOUTH)	WALK	G (Ø1)-W	OFF
Y	Ø3 Y	DON'T WALK	R (Ø1)-DW				
3,4 (SB)	R	Ø3 R	R	W (WEST)	WALK	G (Ø3)-W	OFF
	Y	Ø3 Y			DON'T WALK	R (Ø3)-DW	
	G	Ø3 G		Ø1 R	OLA = LS 5	Ø1 = Ø1+Ø4	
Y	Ø1 Y						
G	Ø1 G						

Figure 15.6
3 Phase Example
East-West Mainline with Leading WBLT Phase



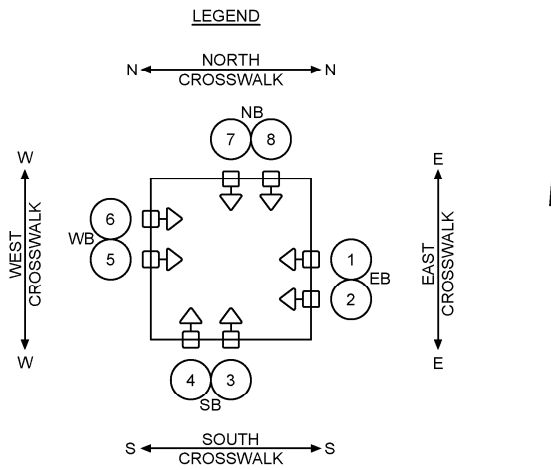
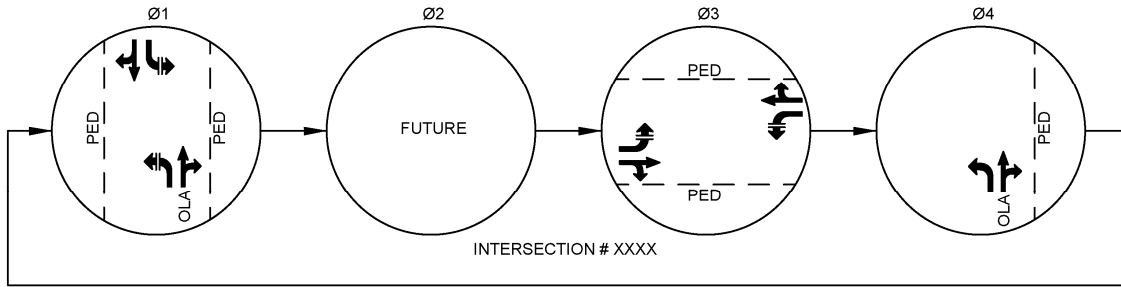
FIELD WIRING HOOK-UP CHART							
SIGNAL HEAD #	INDICATION	FIELD TERMINAL	FLASH	SIGNAL HEAD #	INDICATION	FIELD TERMINAL	FLASH
1,2 (EB)	R	Ø1 R	Y	7,8 (NB)	R	Ø3 R	R
	Y	Ø1 Y			Y	Ø3 Y	
	G	Ø1 G			G	Ø3 G	
3,4 (SB)	R	Ø3 R	R	N (NORTH)	WALK	G (Ø1)-W	OFF
	Y	Ø3 Y			DON'T WALK	R (Ø1)-DW	
	G	Ø3 G		E (EAST)	WALK	G (Ø3)-W	OFF
5 (WBLT)	R	OLA R	Y	S (SOUTH)	WALK	G (Ø1)-W	OFF
	Y	OLA Y			DON'T WALK	R (Ø1)-DW	
	G	OLA G		W (WEST)	WALK	G (Ø3)-W	OFF
	←Y	Ø4 Y			DON'T WALK	R (Ø3)-DW	
	←G	Ø4 G					
6 (WB)	R	OLA R	Y	OLA = LS 5 OLA = Ø1+Ø4			
	Y	OLA Y					
	G	OLA G					

Figure 15.7
3 Phase Example
North-South Mainline with Leading NBLT Phase



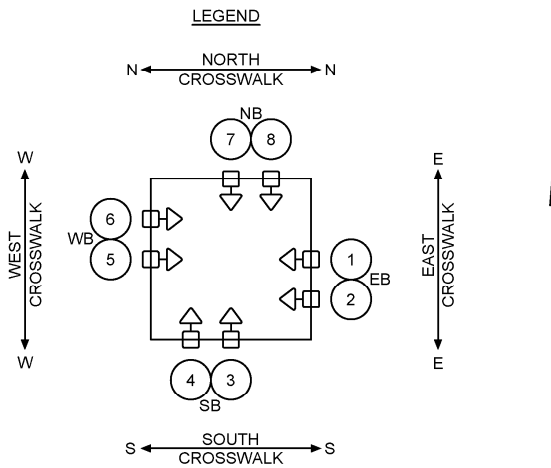
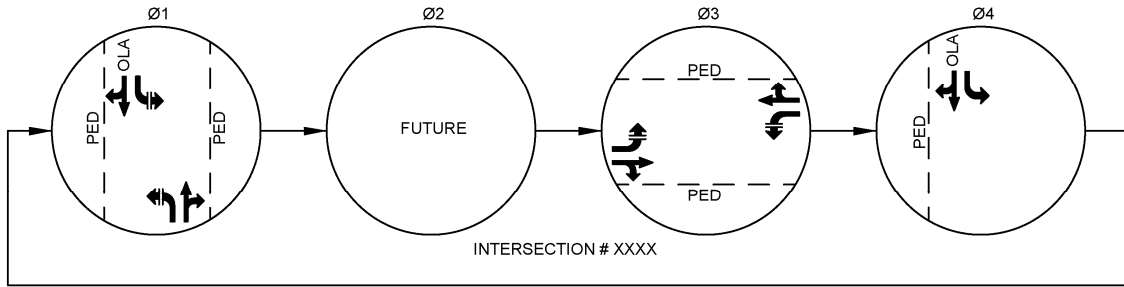
FIELD WIRING HOOK-UP CHART							
SIGNAL HEAD #	INDICATION	FIELD TERMINAL	FLASH	SIGNAL HEAD #	INDICATION	FIELD TERMINAL	FLASH
1,2 (EB)	R	Ø3 R	R	8 (NB)	R	OLA R	Y
	Y	Ø3 Y			Y	OLA Y	
	G	Ø3 G			G	OLA G	
3,4 (SB)	R	Ø1 R	Y	N (NORTH)	WALK	G (Ø3)-W	OFF
	Y	Ø1 Y			DON'T WALK	R (Ø3)-DW	
	G	Ø1 G		E (EAST)	WALK	G (Ø1)-W	OFF
5,6 (WB)	R	Ø3 R	R	S (SOUTH)	DON'T WALK	R (Ø1)-DW	
	Y	Ø3 Y		WALK	G (Ø3)-W	OFF	
	G	Ø3 G		DON'T WALK	R (Ø3)-DW		
7 (NBLT)	R	OLA R	Y	W (WEST)	WALK	G (Ø1)-W	OFF
	Y	OLA Y			DON'T WALK	R (Ø1)-DW	
	G	OLA G			OLA = LS 5		
	←Y	Ø4 Y		OLA = Ø1+Ø4			
	←G	Ø4 G					

Figure 15.8
3 Phase Example
North-South Mainline with Lagging NBLT Phase



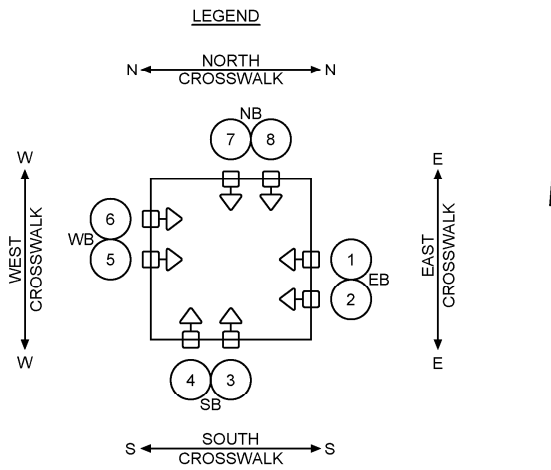
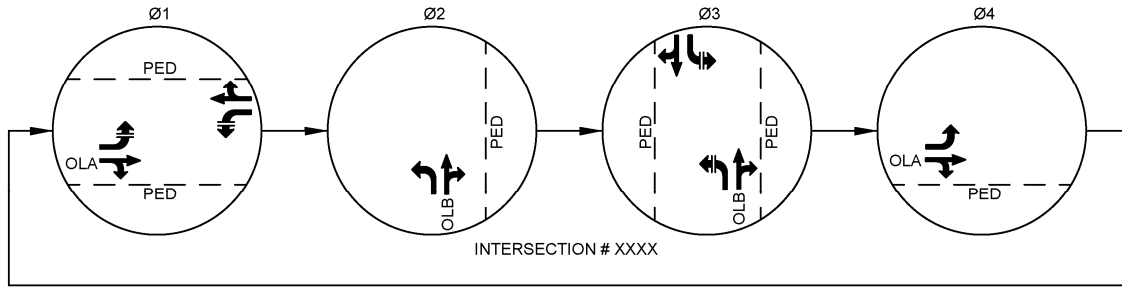
FIELD WIRING HOOK-UP CHART							
SIGNAL HEAD #	INDICATION	FIELD TERMINAL	FLASH	SIGNAL HEAD #	INDICATION	FIELD TERMINAL	FLASH
1,2 (EB)	R	Ø3 R	R	8 (NB)	R	OLA R	Y
	Y	Ø3 Y			Y	OLA Y	
	G	Ø3 G			G	OLA G	
3,4 (SB)	R	Ø1 R	Y	N (NORTH)	WALK	G (Ø3)-W	OFF
	Y	Ø1 Y			DON'T WALK	R (Ø3)-DW	
	G	Ø1 G		E (EAST)	WALK	G (Ø1)-W	OFF
5,6 (WB)	R	Ø3 R	R	S (SOUTH)	WALK	G (Ø3)-W	
	Y	Ø3 Y		DON'T WALK	R (Ø3)-DW		
	G	Ø3 G		W (WEST)	WALK	G (Ø1)-W	OFF
7 (NBLT)	R	OLA R	Y	DON'T WALK	R (Ø1)-DW		
	Y	OLA Y		OLA = LS 5 OLA = Ø1+Ø4			
	G	OLA G					
	→	Ø4 Y					
←	Ø4 G						

Figure 15.9
3 Phase Example
North-South Mainline with SBLT Phase



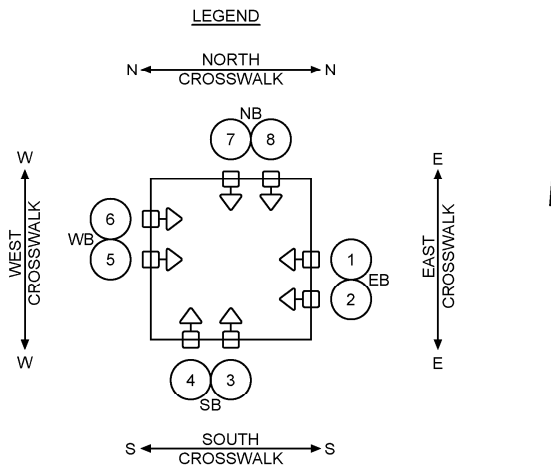
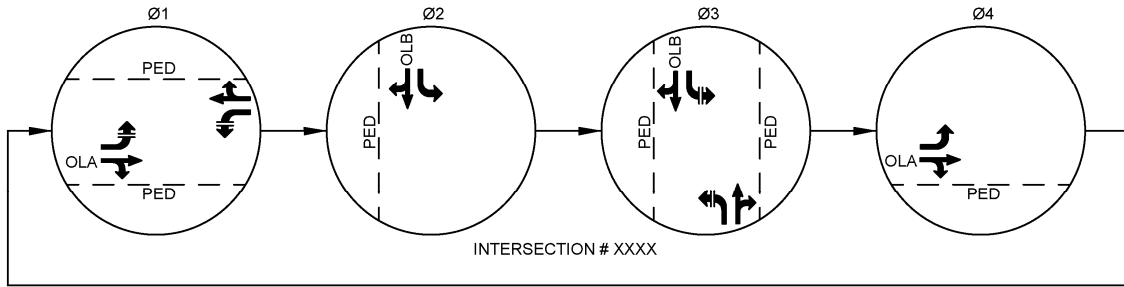
FIELD WIRING HOOK-UP CHART							
SIGNAL HEAD #	INDICATION	FIELD TERMINAL	FLASH	SIGNAL HEAD #	INDICATION	FIELD TERMINAL	FLASH
1,2 (EB)	R	Ø3 R	R	7,8 (NB)	R	Ø1 R	Y
	Y	Ø3 Y			Y	Ø1 Y	
	G	Ø3 G			G	Ø1 G	
3 (SBLT)	R	OLA R	Y	N (NORTH)	WALK	G (Ø3)-W	OFF
	Y	OLA Y			DON'T WALK	R (Ø3)-DW	
	G	OLA G		E (EAST)	WALK	G (Ø1)-W	OFF
	←Y	Ø4 Y			DON'T WALK	R (Ø1)-DW	
4 (SB)	R	OLA R	Y	S (SOUTH)	WALK	G (Ø3)-W	OFF
	Y	OLA Y			DON'T WALK	R (Ø3)-DW	
	G	OLA G		W (WEST)	WALK	G (Ø1)-W	OFF
←G	Ø4 G	DON'T WALK	R (Ø1)-DW				
5,6 (WB)	R	Ø3 R	R	OLA = LS 5 OLA = Ø1+Ø4			
	Y	Ø3 Y					
	G	Ø3 G					

Figure 15.10
4 Phase Example
East-West Mainline with EBLT and NBLT Phases



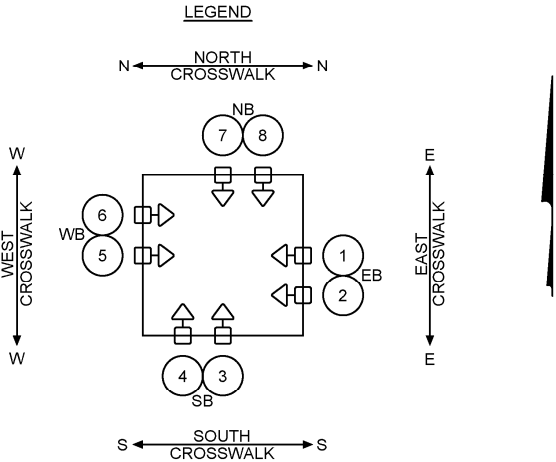
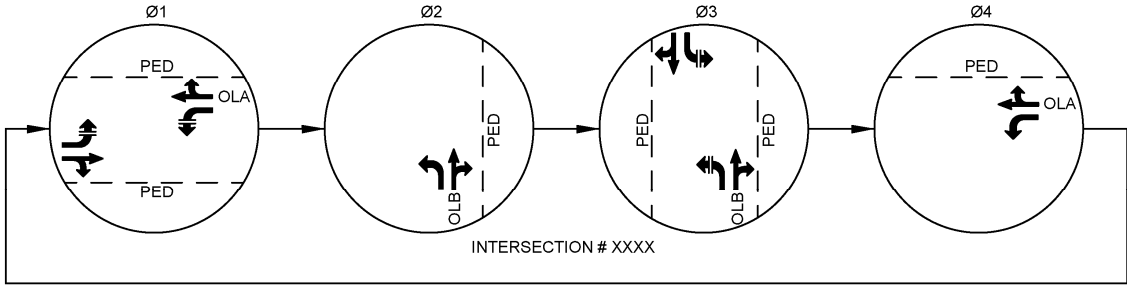
FIELD WIRING HOOK-UP CHART							
SIGNAL HEAD #	INDICATION	FIELD TERMINAL	FLASH	SIGNAL HEAD #	INDICATION	FIELD TERMINAL	FLASH
1 (EBLT)	R	OLA R	Y	8 (NB)	R	OLB R	R
	Y	OLA Y			Y	OLB Y	
	G	OLA G			G	OLB G	
	←Y	Ø4 Y		N (NORTH)	WALK	G (Ø1)-W	OFF
←G	Ø4 G	DON'T WALK	R (Ø1)-DW				
2 (EB)	R	OLA R	Y	E (EAST)	WALK	G (Ø3)-W	OFF
	Y	OLA Y			DON'T WALK	R (Ø3)-DW	
	G	OLA G		S (SOUTH)	WALK	G (Ø1)-W	OFF
R	Ø3 R	DON'T WALK	R (Ø1)-DW				
3,4 (SB)	Y	Ø3 Y	R	W (WEST)	WALK	G (Ø3)-W	OFF
	G	Ø3 G			DON'T WALK	R (Ø3)-DW	
	5,6 (WB)	R		Ø1 R	Y	OLA = LS 5 OLB = LS 6 OLA = Ø1+Ø4 OLB = Ø2+Ø3	
Y		Ø1 Y					
G		Ø1 G					
←Y		OLB Y	R				
←G	OLB G						
←Y	Ø2 Y						
←G	Ø2 G						

Figure 15.11
4 Phase Example
East-West Mainline with EBLT and SBLT Phases



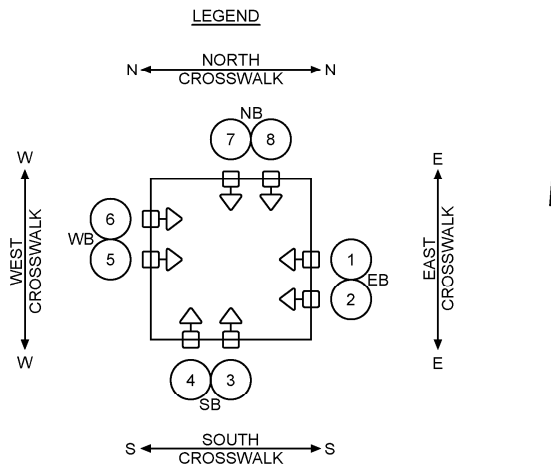
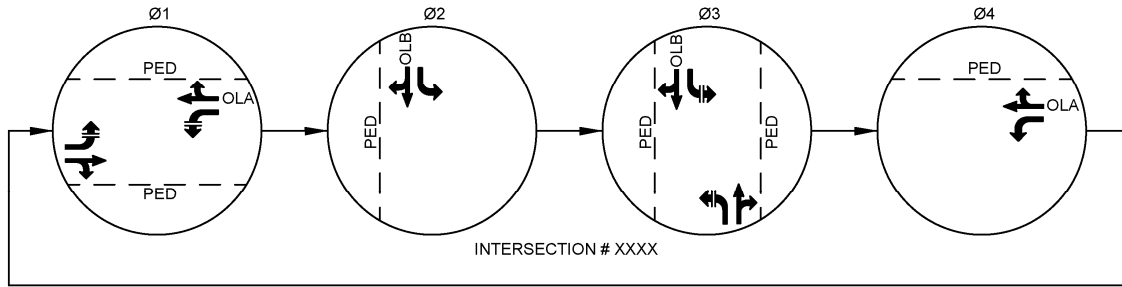
FIELD WIRING HOOK-UP CHART							
SIGNAL HEAD #	INDICATION	FIELD TERMINAL	FLASH	SIGNAL HEAD #	INDICATION	FIELD TERMINAL	FLASH
1 (EBLT)	R	OLA R	Y	7,8 (NB)	R	Ø3 R	R
	Y	OLA Y			Y	Ø3 Y	
	G	OLA G			G	Ø3 G	
	→	Ø4 Y		N (NORTH)	WALK	G (Ø1)-W	OFF
→	Ø4 G	DON'T WALK	R (Ø1)-DW				
2 (EB)	R	OLA R	Y	E (EAST)	WALK	G (Ø3)-W	OFF
	Y	OLA Y			DON'T WALK	R (Ø3)-DW	
	G	OLA G		S (SOUTH)	WALK	G (Ø1)-W	OFF
→	Ø2 Y	DON'T WALK	R (Ø1)-DW				
3 (SBLT)	R	OLB R	R	W (WEST)	WALK	G (Ø3)-W	OFF
	Y	OLB Y			DON'T WALK	R (Ø3)-DW	
	G	OLB G		OLA = LS 5 OLB = LS 6 OLA = Ø1+Ø4 OLB = Ø2+Ø3			
	→	Ø2 Y					
4 (SB)	R	OLB R	R				
	Y	OLB Y					
	G	OLB G					
5,6 (WB)	R	Ø1 R	Y				
	Y	Ø1 Y					
	G	Ø1 G					

Figure 15.12
4 Phase Example
East-West Mainline with WBLT and NBLT Phases



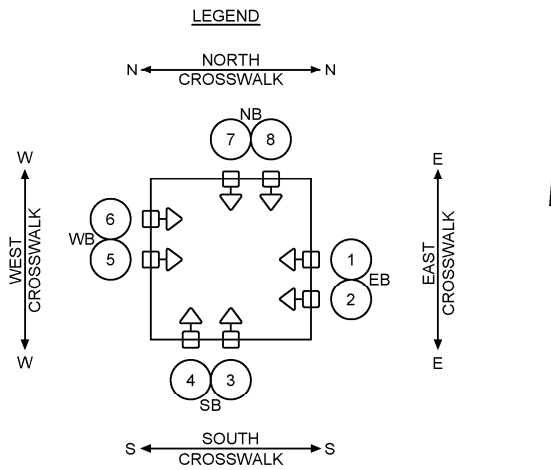
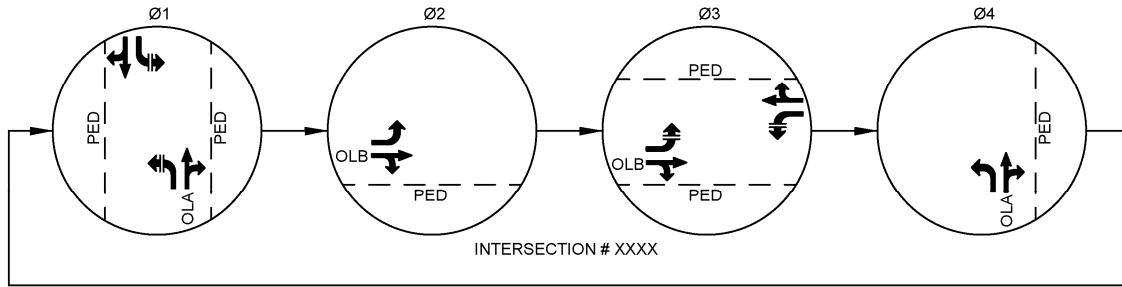
FIELD WIRING HOOK-UP CHART							
SIGNAL HEAD #	INDICATION	FIELD TERMINAL	FLASH	SIGNAL HEAD #	INDICATION	FIELD TERMINAL	FLASH
1,2 (EB)	R	Ø1 R	Y	8 (NB)	R	OLB R	R
	Y	Ø1 Y			Y	OLB Y	
	G	Ø1 G			G	OLB G	
3,4 (SB)	R	Ø3 R	R	N (NORTH)	WALK	G (Ø1)-W	OFF
	Y	Ø3 Y			DON'T WALK	R (Ø1)-DW	
	G	Ø3 G		E (EAST)	WALK	G (Ø3)-W	OFF
5 (WBLT)	R	OLA R	Y	S (SOUTH)	WALK	G (Ø1)-W	
	Y	OLA Y			DON'T WALK	R (Ø1)-DW	
	G	OLA G		W (WEST)	WALK	G (Ø3)-W	OFF
		Ø4 Y			DON'T WALK	R (Ø3)-DW	
6 (WB)		Ø4 G	Y	OLA = LS 5 OLB = LS 6 OLA = Ø1+Ø4 OLB = Ø2+Ø3			
	R	OLA R					
	Y	OLA Y					
7 (NBLT)	G	OLA G	R				
	R	OLB R					
	Y	OLB Y					
	G	OLB G					
		Ø2 Y					
		Ø2 G					

Figure 15.13
4 Phase Example
East-West Mainline with WBLT and SBLT Phases



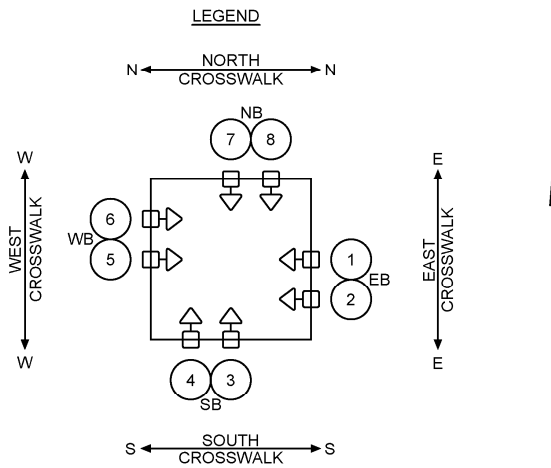
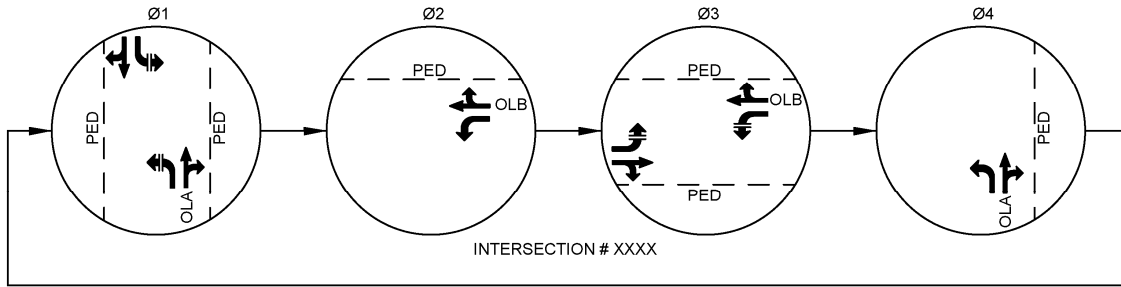
FIELD WIRING HOOK-UP CHART							
SIGNAL HEAD #	INDICATION	FIELD TERMINAL	FLASH	SIGNAL HEAD #	INDICATION	FIELD TERMINAL	FLASH
1,2 (EB)	R	Ø1 R	Y	7,8 (NB)	R	Ø3 R	R
	Y	Ø1 Y			Y	Ø3 Y	
	G	Ø1 G			G	Ø3 G	
3 (SBLT)	R	OLB R	R	N (NORTH)	WALK	G (Ø1)-W	OFF
	Y	OLB Y			DON'T WALK	R (Ø1)-DW	
	G	OLB G		E (EAST)	WALK	G (Ø3)-W	OFF
	←Y	Ø2 Y			DON'T WALK	R (Ø3)-DW	
4 (SB)	R	OLB R	R	S (SOUTH)	WALK	G (Ø1)-W	OFF
	Y	OLB Y			DON'T WALK	R (Ø1)-DW	
	G	OLB G		W (WEST)	WALK	G (Ø3)-W	OFF
←G	Ø2 G	DON'T WALK	R (Ø3)-DW				
5 (WBLT)	R	OLA R	Y	OLA = LS 5 OLB = LS 6 OLA = Ø1+Ø4 OLB = Ø2+Ø3			
	Y	OLA Y					
	G	OLA G					
	←Y	Ø4 Y					
6 (WB)	R	OLA R	Y				
	Y	OLA Y					
	G	OLA G					

Figure 15.14
4 Phase Example
North-South Mainline with NBLT and EBLT Phases



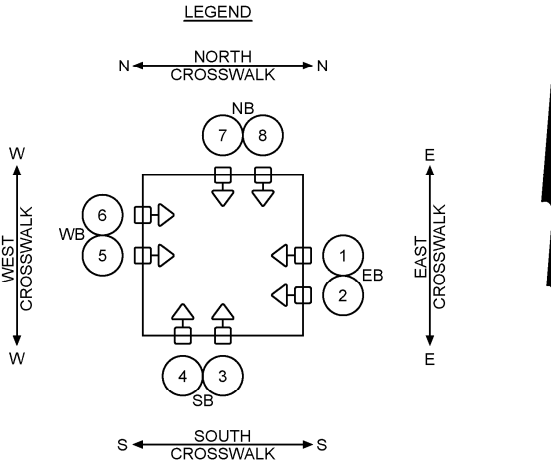
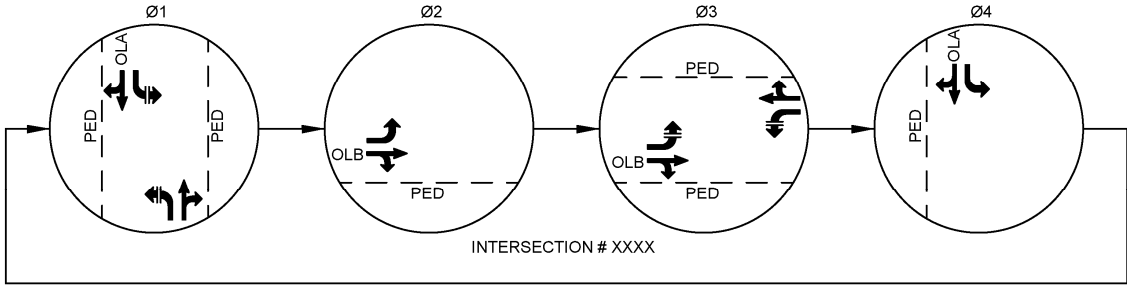
FIELD WIRING HOOK-UP CHART							
SIGNAL HEAD #	INDICATION	FIELD TERMINAL	FLASH	SIGNAL HEAD #	INDICATION	FIELD TERMINAL	FLASH
1 (EBLT)	R	OLB R	R	8 (NB)	R	OLA R	Y
	Y	OLB Y			Y	OLA Y	
	G	OLB G			G	OLA G	
	←Y	Ø2 Y		N (NORTH)	WALK	G (Ø3)-W	OFF
←G	Ø2 G	DON'T WALK	R (Ø3)-DW				
2 (EB)	R	OLB R	R	E (EAST)	WALK	G (Ø1)-W	OFF
	Y	OLB Y			DON'T WALK	R (Ø1)-DW	
	G	OLB G		S (SOUTH)	WALK	G (Ø3)-W	OFF
R	Ø1 R	DON'T WALK	R (Ø3)-DW				
3,4 (SB)	Y	Ø1 Y	Y	W (WEST)	WALK	G (Ø1)-W	OFF
	G	Ø1 G			DON'T WALK	R (Ø1)-DW	
	5,6 (WB)	R		Ø3 R	R	OLA = LS 5 OLB = LS 6	
Y		Ø3 Y	OLA = Ø1+Ø4 OLB = Ø2+Ø3				
G		Ø3 G					
7 (NBLT)	R	OLA R	Y				
	Y	OLA Y					
	G	OLA G					
	←Y	Ø4 Y					
	←G	Ø4 G					

Figure 15.15
4 Phase Example
North-South Mainline with NBLT and WBLT Phases



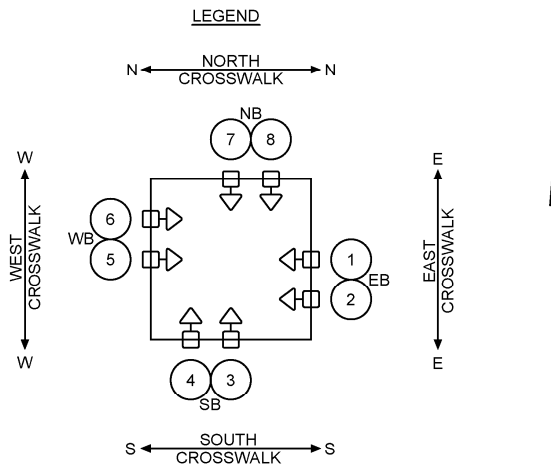
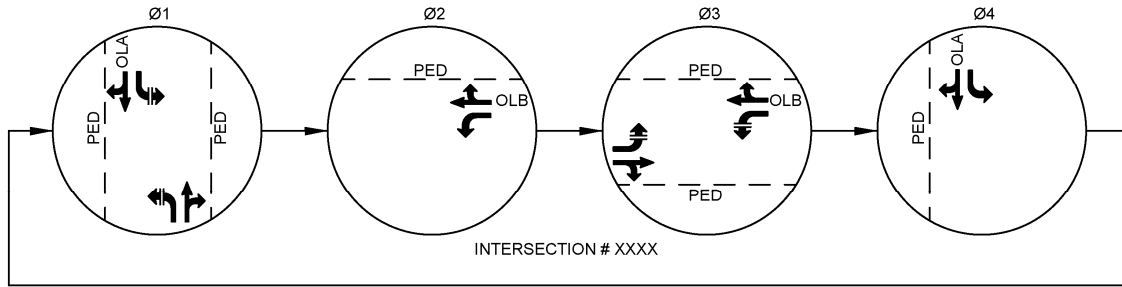
FIELD WIRING HOOK-UP CHART								
SIGNAL HEAD #	INDICATION	FIELD TERMINAL	FLASH	SIGNAL HEAD #	INDICATION	FIELD TERMINAL	FLASH	
1,2 (EB)	R	Ø3 R	R	8 (NB)	R	OLA R	Y	
	Y	Ø3 Y			OLA Y			
	G	Ø3 G			OLA G			
3,4 (SB)	R	Ø1 R	Y	N (NORTH)	WALK	G (Ø3)-W	OFF	
	Y	Ø1 Y			DON'T WALK	R (Ø3)-DW		
	G	Ø1 G			E (EAST)	WALK	G (Ø1)-W	OFF
5 (WBLT)	R	OLB R	R	S (SOUTH)	WALK	G (Ø3)-W	OFF	
	Y	OLB Y			DON'T WALK	R (Ø3)-DW		
	G	OLB G			W (WEST)	WALK	G (Ø1)-W	OFF
	←Y	Ø2 Y				DON'T WALK	R (Ø1)-DW	
	←G	Ø2 G						
6 (WB)	R	OLB R	R	OLA = LS 5 OLB = LS 6 OLA = Ø1+Ø4 OLB = Ø2+Ø3				
	Y	OLB Y						
	G	OLB G						
7 (NBLT)	R	OLA R	Y					
	Y	OLA Y						
	G	OLA G						
	←Y	Ø4 Y						
	←G	Ø4 G						

Figure 15.16
4 Phase Example
North-South Mainline with SBLT and EBLT Phases



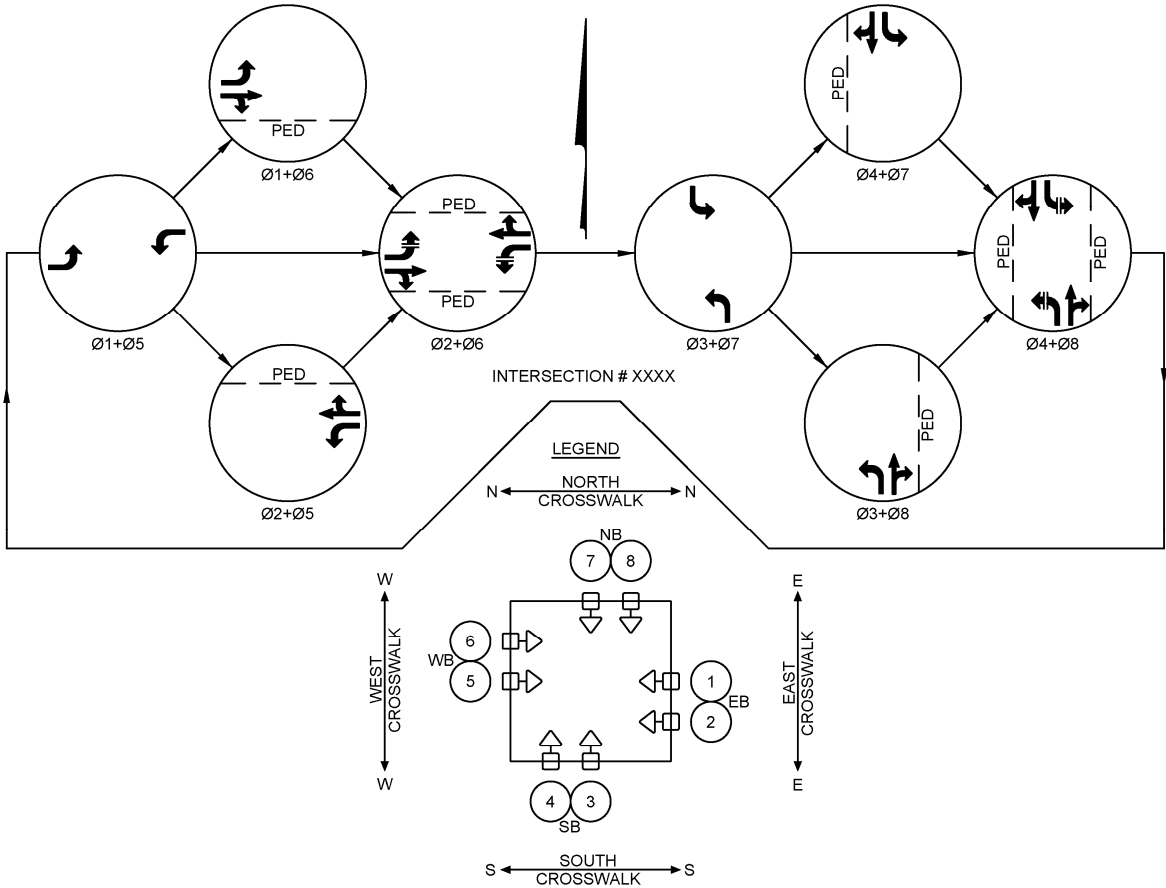
FIELD WIRING HOOK-UP CHART							
SIGNAL HEAD #	INDICATION	FIELD TERMINAL	FLASH	SIGNAL HEAD #	INDICATION	FIELD TERMINAL	FLASH
1 (EBLT)	R	OLB R	R	7,8 (NB)	R	Ø1 R	Y
	Y	OLB Y			Y	Ø1 Y	
	G	OLB G			G	Ø1 G	
	←Y	Ø2 Y		N (NORTH)	WALK	G (Ø3)-W	OFF
	←G	Ø2 G			DON'T WALK	R (Ø3)-DW	
2 (EB)	R	OLB R	R	E (EAST)	WALK	G (Ø1)-W	OFF
	Y	OLB Y		DON'T WALK	R (Ø1)-DW		
	G	OLB G		S (SOUTH)	WALK	G (Ø3)-W	OFF
3 (SBLT)	R	OLA R	Y	DON'T WALK	R (Ø3)-DW		
	Y	OLA Y		W (WEST)	WALK	G (Ø1)-W	OFF
	G	OLA G			DON'T WALK	R (Ø1)-DW	
	←Y	Ø4 Y		OLA = LS 5 OLB = LS 6 OLA = Ø1+Ø4 OLB = Ø2+Ø3			
←G	Ø4 G						
4 (SB)	R	OLA R	Y				
	Y	OLA Y					
	G	OLA G					
5,6 (WB)	R	Ø3 R	R				
	Y	Ø3 Y					
	G	Ø3 G					

Figure 15.17
4 Phase Example
North-South Mainline with SBLT and WBLT Phases



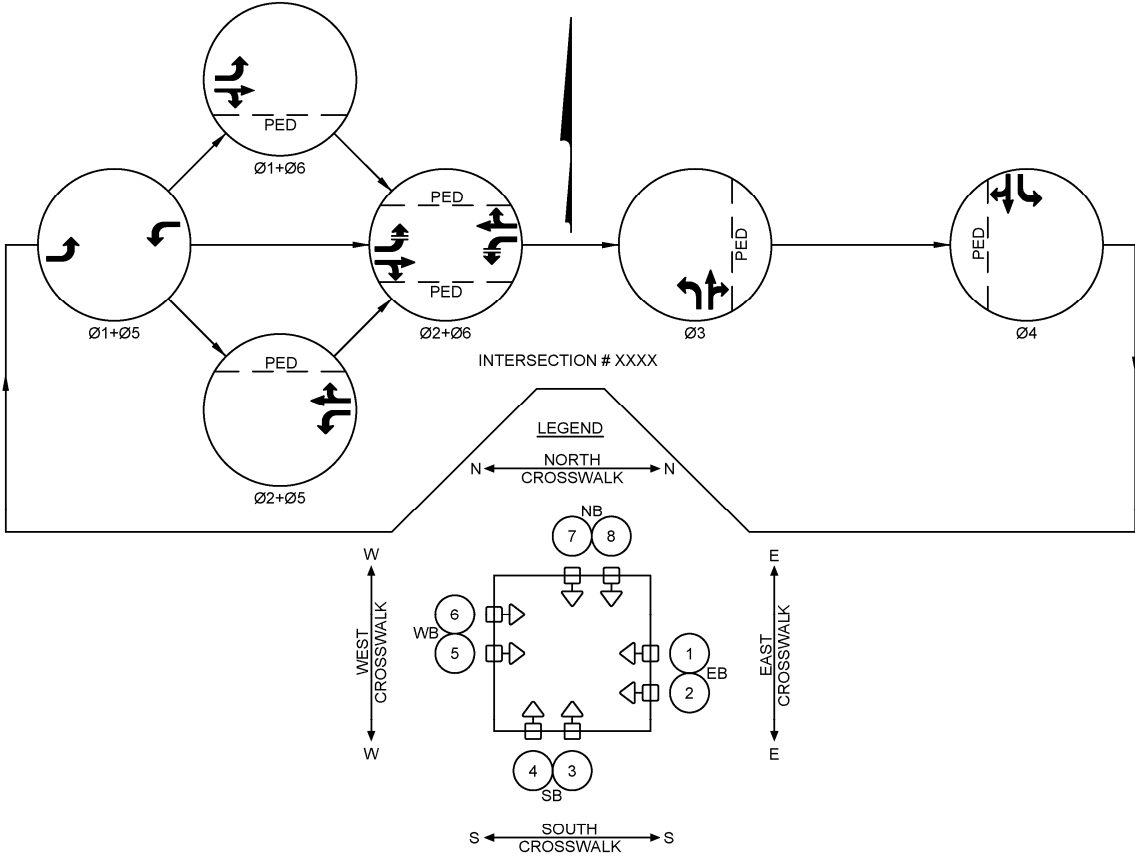
FIELD WIRING HOOK-UP CHART							
SIGNAL HEAD #	INDICATION	FIELD TERMINAL	FLASH	SIGNAL HEAD #	INDICATION	FIELD TERMINAL	FLASH
1,2 (EB)	R	Ø3 R	R	7,8 (NB)	R	Ø1 R	Y
	Y	Ø3 Y			Y	Ø1 Y	
	G	Ø3 G			G	Ø1 G	
3 (SBLT)	R	OLA R	Y	N (NORTH)	WALK	G (Ø3)-W	OFF
	Y	OLA Y			DON'T WALK	R (Ø3)-DW	
	G	OLA G		E (EAST)	WALK	G (Ø1)-W	OFF
	→Y	Ø4 Y			DON'T WALK	R (Ø1)-DW	
→G	Ø4 G	S (SOUTH)	WALK	G (Ø3)-W	OFF		
→G	Ø4 G		DON'T WALK	R (Ø3)-DW			
4 (SB)	R	OLA R	Y	W (WEST)	WALK	G (Ø1)-W	OFF
	Y	OLA Y			DON'T WALK	R (Ø1)-DW	
	G	OLA G					
5 (WBLT)	R	OLB R	R	OLA = LS 5 OLB = LS 6 OLA = Ø1+Ø4 OLB = Ø2+Ø3			
	Y	OLB Y					
	G	OLB G					
	→Y	Ø2 Y					
	→G	Ø2 G					
6 (WB)	R	OLB R	R				
	Y	OLB Y					
	G	OLB G					

Figure 15.18
8 Phase Example
East-West Mainline



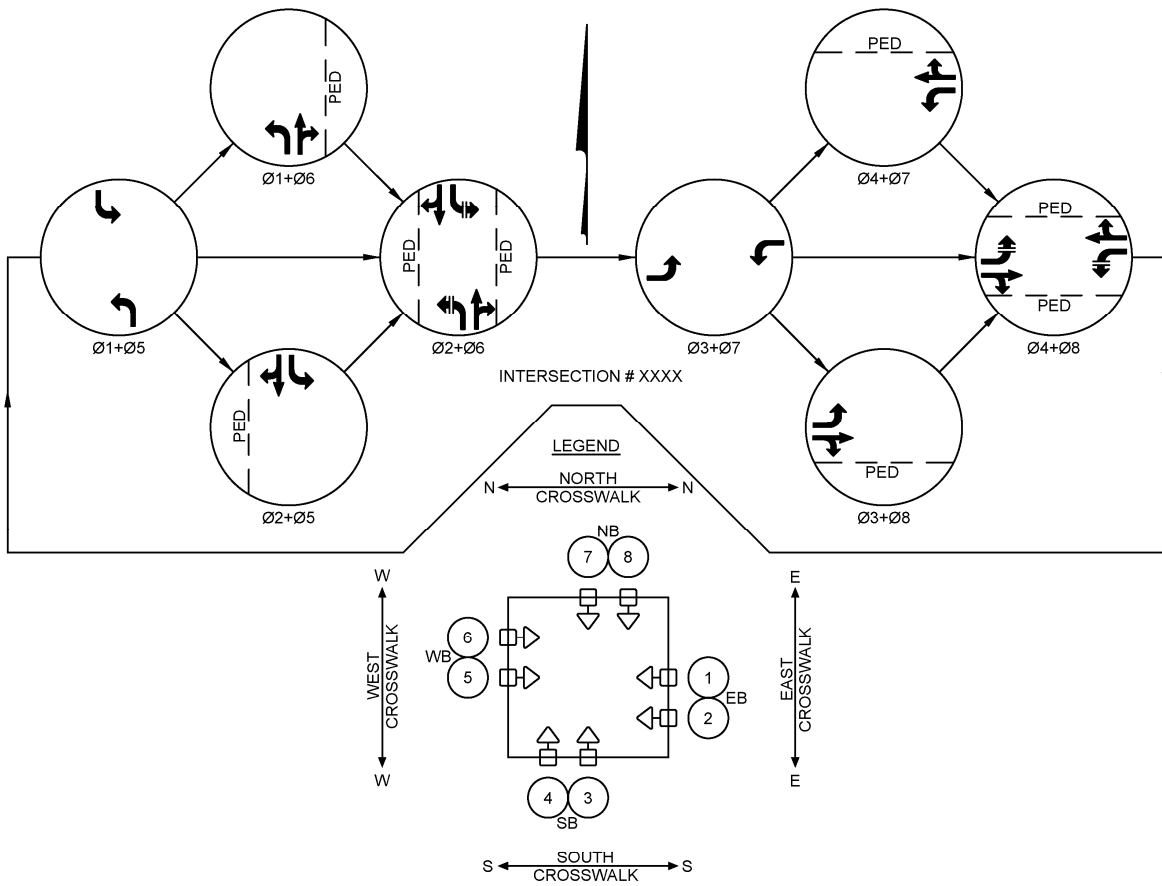
FIELD WIRING HOOK-UP CHART							
SIGNAL HEAD #	INDICATION	FIELD TERMINAL	FLASH	SIGNAL HEAD #	INDICATION	FIELD TERMINAL	FLASH
1 (EBLT)	R	Ø6 R	R	6 (WB)	R	Ø2 R	R
	Y	Ø6 Y			Y	Ø2 Y	
	G	Ø6 G			G	Ø2 G	
	←Y	Ø1 Y			←Y	Ø8 R	
2 (EB)	R	Ø6 R	R	7 (NBLT)	Y	Ø8 Y	R
	Y	Ø6 Y			G	Ø8 G	
	G	Ø6 G			←Y	Ø3 Y	
	←G	Ø1 G			←G	Ø3 G	
3 (SBLT)	R	Ø4 R	R	8 (NB)	R	Ø8 R	R
	Y	Ø4 Y			Y	Ø8 Y	
	G	Ø4 G			G	Ø8 G	
	←Y	Ø7 Y		←Y	Ø3 Y		
4 (SB)	←G	Ø7 G	R	N (NORTH)	WALK	G (Ø2)-W	OFF
	R	Ø4 R			DON'T WALK	R (Ø2)-DW	
	Y	Ø4 Y		E (EAST)	WALK	G (Ø8)-W	OFF
	G	Ø4 G			DON'T WALK	R (Ø8)-DW	
5 (WBLT)	R	Ø2 R	R	S (SOUTH)	WALK	G (Ø6)-W	OFF
	Y	Ø2 Y			DON'T WALK	R (Ø6)-DW	
	G	Ø2 G		W (WEST)	WALK	G (Ø4)-W	OFF
	←Y	Ø5 Y			DON'T WALK	R (Ø4)-DW	
←G	Ø5 G						

Figure 15.19
Split Phase Example
East-West Mainline
Split Phase Side Street



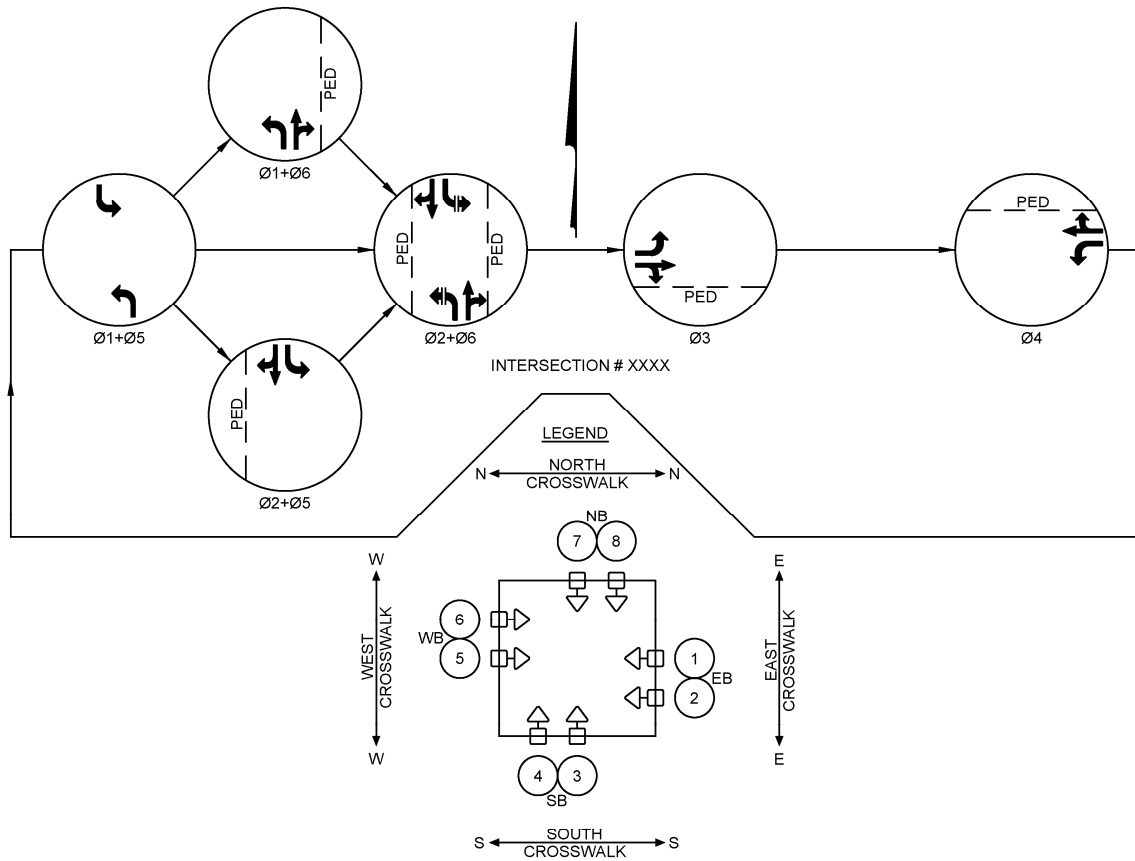
FIELD WIRING HOOK-UP CHART							
SIGNAL HEAD #	INDICATION	FIELD TERMINAL	FLASH	SIGNAL HEAD #	INDICATION	FIELD TERMINAL	FLASH
1 (EBLT)	R	Ø6 R	R	6 (WB)	R	Ø2 R	R
	Y	Ø6 Y			Y	Ø2 Y	
	G	Ø6 G			G	Ø2 G	
	←	Ø1 Y			R	Ø3 R	
2 (EB)	R	Ø6 R	R	7 (NBLT)	Y	Ø3 Y	R
	Y	Ø6 Y			G	Ø3 G	
	G	Ø6 G			←	Ø3 G	
3 (SBLT)	R	Ø4 R	R	8 (NB)	R	Ø3 R	R
	Y	Ø4 Y			Y	Ø3 Y	
	G	Ø4 G			G	Ø3 G	
4 (SB)	R	Ø4 R	R	N (NORTH)	WALK	G (Ø2)-W	OFF
	Y	Ø4 Y		DON'T WALK	R (Ø2)-DW		
	G	Ø4 G		R	Ø3 R	OFF	
5 (WBLT)	R	Ø2 R	R	E (EAST)	WALK	G (Ø3)-W	OFF
	Y	Ø2 Y		DON'T WALK	R (Ø3)-DW		
	G	Ø2 G		S (SOUTH)	WALK	G (Ø6)-W	OFF
	←	Ø5 Y		DON'T WALK	R (Ø6)-DW		
	←	Ø5 G		W (WEST)	WALK	G (Ø4)-W	OFF
				DON'T WALK	R (Ø4)-DW		

Figure 15.20
8 Phase Example
North-South Mainline



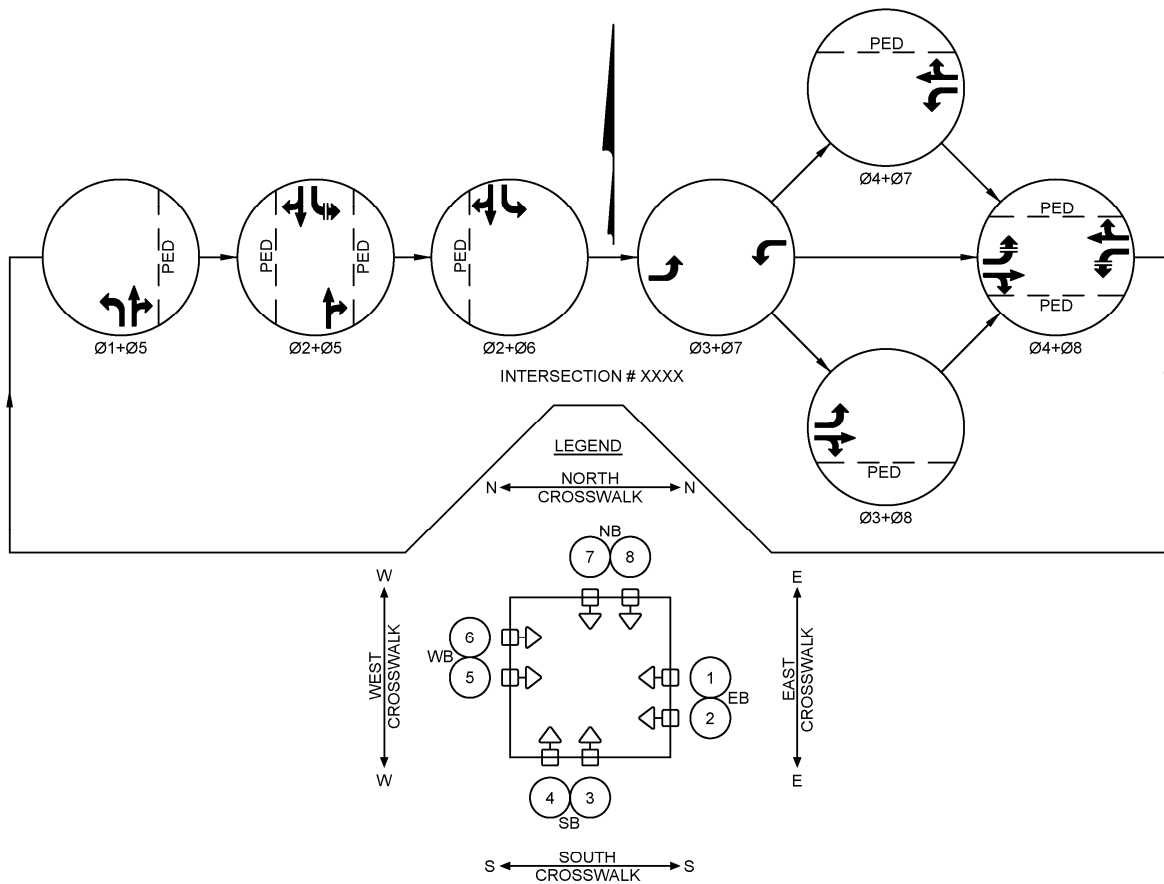
FIELD WIRING HOOK-UP CHART							
SIGNAL HEAD #	INDICATION	FIELD TERMINAL	FLASH	SIGNAL HEAD #	INDICATION	FIELD TERMINAL	FLASH
1 (EBLT)	R	Ø8 R	R	6 (WB)	R	Ø4 R	R
	Y	Ø8 Y			Y	Ø4 Y	
	G	Ø8 G			G	Ø4 G	
	→Y	Ø3 Y		7 (NBLT)	R	Ø6 R	R
	→G	Ø3 G			Y	Ø6 Y	
2 (EB)	R	Ø8 R	R	G	Ø6 G		
	Y	Ø8 Y		→Y	Ø1 Y		
	G	Ø8 G		→G	Ø1 G		
3 (SBLT)	R	Ø2 R	R	8 (NB)	R	Ø6 R	R
	Y	Ø2 Y			Y	Ø6 Y	
	G	Ø2 G			G	Ø6 G	
	→Y	Ø5 Y		N (NORTH)	WALK	G (Ø4)-W	OFF
4 (SB)	→G	Ø5 G	R	E (EAST)	DON'T WALK	R (Ø6)-DW	OFF
	R	Ø2 R		S (SOUTH)	WALK	G (Ø8)-W	OFF
	Y	Ø2 Y			DON'T WALK	R (Ø8)-DW	OFF
5 (WBLT)	G	Ø2 G	R	W (WEST)	WALK	G (Ø2)-W	OFF
	→Y	Ø7 Y			DON'T WALK	R (Ø2)-DW	
	→G	Ø7 G					

Figure 15.21
Split Phase Example
North-South Mainline
Split Phase Side Street



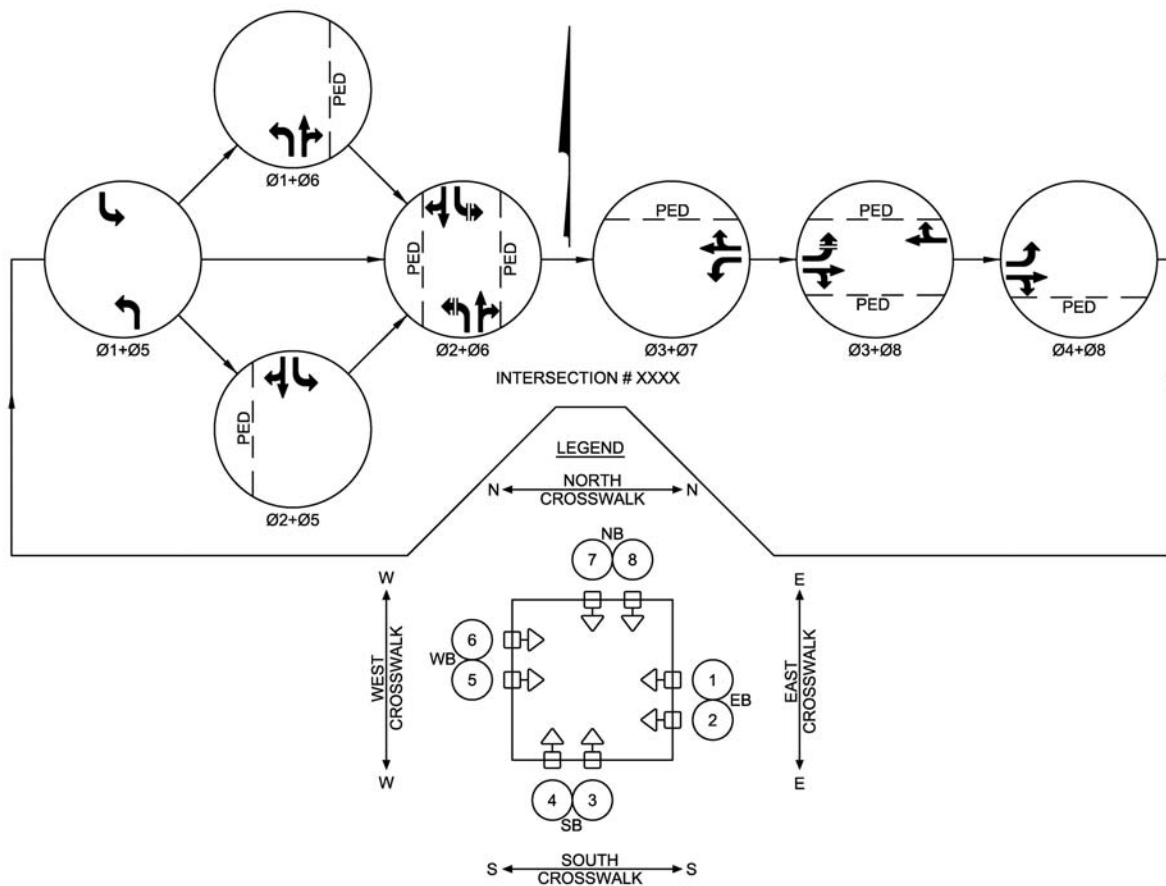
FIELD WIRING HOOK-UP CHART							
SIGNAL HEAD #	INDICATION	FIELD TERMINAL	FLASH	SIGNAL HEAD #	INDICATION	FIELD TERMINAL	FLASH
1 (EBLT)	R	Ø3 R	R	6 (WB)	R	Ø4 R	R
	Y	Ø3 Y			Y	Ø4 Y	
	G	Ø3 G			G	Ø4 G	
	←G	Ø3 G					
2 (EB)	R	Ø3 R	R	7 (NBLT)	R	Ø6 R	R
	Y	Ø3 Y			Y	Ø6 Y	
	G	Ø3 G			G	Ø6 G	
	←Y	Ø1 Y			←G	Ø1 G	
3 (SBLT)	R	Ø2 R	R	8 (NB)	R	Ø6 R	R
	Y	Ø2 Y			Y	Ø6 Y	
	G	Ø2 G			G	Ø6 G	
	←Y	Ø5 Y					
4 (SB)	R	Ø2 R	R	N (NORTH)	WALK	G (Ø4)-W	OFF
	Y	Ø2 Y		E (EAST)	WALK	G (Ø6)-W	OFF
	G	Ø2 G		DON'T WALK	R (Ø6)-DW	OFF	
5 (WBLT)	R	Ø4 R	R	S (SOUTH)	WALK	G (Ø3)-W	OFF
	Y	Ø4 Y		DON'T WALK	R (Ø3)-DW	OFF	
	G	Ø4 G		W (WEST)	WALK	G (Ø2)-W	OFF
	←G	Ø4 G		DON'T WALK	R (Ø2)-DW	OFF	

Figure 15.22
N-S Lead-Lag Phasing Example 1
North-South Mainline



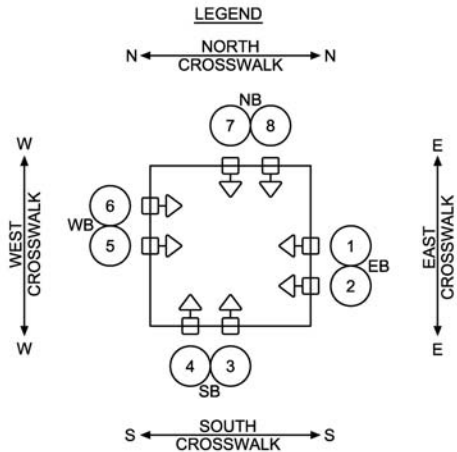
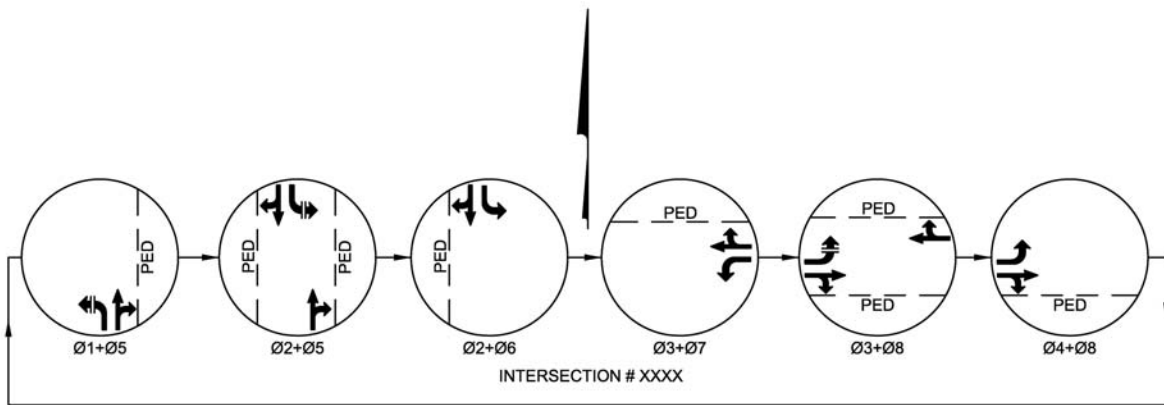
FIELD WIRING HOOK-UP CHART							
SIGNAL HEAD #	INDICATION	FIELD TERMINAL	FLASH	SIGNAL HEAD #	INDICATION	FIELD TERMINAL	FLASH
1 (EBLT)	R	Ø8 R	R	6 (WB)	R	Ø4 R	R
	Y	Ø8 Y			Y	Ø4 Y	
	G	Ø8 G			G	Ø4 G	
	→Y	Ø3 Y		7 (NBLT)	R	Ø5 R	R
	→G	Ø3 G			Y	Ø5 Y	
2 (EB)	R	Ø8 R	R	G	Ø5 G		
	Y	Ø8 Y		→Y	Ø1 Y		
	G	Ø8 G		→G	Ø1 G		
3 (SBLT)	R	Ø2 R	R	8 (NB)	R	Ø5 R	R
	Y	Ø2 Y			Y	Ø5 Y	
	G	Ø2 G			G	Ø5 G	
	→Y	Ø6 Y		N (NORTH)	WALK	G (Ø4)-W	OFF
4 (SB)	→G	Ø6 G	R	E (EAST)	DON'T WALK	R (Ø4)-DW	OFF
	R	Ø2 R		S (SOUTH)	WALK	G (Ø8)-W	OFF
	Y	Ø2 Y			DON'T WALK	R (Ø8)-DW	OFF
5 (WBLT)	G	Ø2 G	R	W (WEST)	WALK	G (Ø2)-W	OFF
	→Y	Ø7 Y			DON'T WALK	R (Ø2)-DW	
	→G	Ø7 G					

Figure 15.23
E-W Lead-Lag Phasing Example 2
North-South Main Line



FIELD WIRING HOOK-UP CHART									
SIGNAL HEAD #	INDICATION	FIELD TERMINAL	FLASH	SIGNAL HEAD #	INDICATION	FIELD TERMINAL	FLASH		
1 (EBLT)	R	Ø8 R	R	6 (WB)	R	Ø3 R	R		
	Y	Ø8 Y			Y	Ø3 Y			
	G	Ø8 G			G	Ø3 G			
	→Y	Ø4 Y		7 (NBLT)	R	Ø6 R	R		
	→G	Ø4 G			Y	Ø6 Y			
2 (EB)	R	Ø8 R	R	G	Ø6 G				
	Y	Ø8 Y		→Y	Ø1 Y				
	G	Ø8 G		→G	Ø1 G				
3 (SBLT)	R	Ø2 R	R	8 (NB)	R	Ø6 R	R		
	Y	Ø2 Y			Y	Ø6 Y			
	G	Ø2 G			G	Ø6 G			
	4 (SB)	→Y		Ø5 Y	R	N (NORTH)	WALK	G (Ø3)-W	OFF
		→G		Ø5 G		DON'T WALK	R (Ø3)-DW		
5 (WBLT)		R	Ø3 R	R		E (EAST)	WALK	G (Ø6)-W	OFF
	Y	Ø3 Y	DON'T WALK		R (Ø6)-DW				
	G	Ø3 G	S (SOUTH)		WALK	G (Ø8)-W	OFF		
→Y	Ø7 Y	DON'T WALK	R (Ø8)-DW						
→G	Ø7 G	W (WEST)	WALK	G (Ø2)-W	OFF				
			DON'T WALK	R (Ø2)-DW					

Figure 15.24
Lead-Lag Phasing Example 3
North-South Main Line



FIELD WIRING HOOK-UP CHART									
SIGNAL HEAD #	INDICATION	FIELD TERMINAL	FLASH	SIGNAL HEAD #	INDICATION	FIELD TERMINAL	FLASH		
1 (EBLT)	R	Ø8 R	R	6 (WB)	R	Ø3 R	R		
	Y	Ø8 Y			Y	Ø3 Y			
	G	Ø8 G			G	Ø3 G			
	←Y	Ø4 Y		7 (NBLT)	R	Ø5 R	R		
	←G	Ø4 G			Y	Ø5 Y			
2 (EB)	R	Ø8 R	R	G	Ø5 G				
	Y	Ø8 Y		←Y	Ø1 Y				
	G	Ø8 G		←G	Ø1 G				
3 (SBLT)	R	Ø2 R	R	8 (NB)	R	Ø5 R	R		
	Y	Ø2 Y			Y	Ø5 Y			
	G	Ø2 G			G	Ø5 G			
	4 (SB)	←Y		Ø6 Y	R	N (NORTH)	WALK	G (Ø3)-W	OFF
		←G		Ø6 G		DON'T WALK	R (Ø3)-DW		
5 (WBLT)		R	Ø3 R	R		E (EAST)	WALK	G (Ø5)-W	OFF
	Y	Ø3 Y	DON'T WALK		R (Ø5)-DW				
	G	Ø3 G	S (SOUTH)		WALK	G (Ø8)-W	OFF		
←Y	Ø7 Y	DON'T WALK	R (Ø8)-DW						
←G	Ø7 G	W (WEST)	WALK	G (Ø2)-W	OFF				
			DON'T WALK	R (Ø2)-DW					

Table 15.2
8 Phase Timing Chart
Major Street E-W, Minor Street N-S

MOVEMENT	EBLT	WB	NBLT	SB	WBLT	EB	SBLT	NB
PHASE	Ø1	Ø2	Ø3	Ø4	Ø5	Ø6	Ø7	Ø8
MIN INITIAL ¹	10	20	10	10	10	20	10	10
WALK ²	---	7	---	7	---	7	---	7
PED CLR ³	---	*	---	*	---	*	---	*
PASS / EXT ⁴	3.7	*	3.7	3.7	3.7	*	3.7	3.7
YELLOW ⁵	*	*	*	*	*	*	*	*
RED CLR ⁶	*	*	*	*	*	*	*	*
MAX GRN 1 ⁷	*	*	*	*	*	*	*	*
MAX GRN 2 ⁷	*	*	*	*	*	*	*	*
PED RECALL ⁸	OFF	ON	OFF	OFF	OFF	ON	OFF	OFF
VEH RECALL ⁸	OFF	MIN	OFF	OFF	OFF	MIN	OFF	OFF
MEMORY ⁸	OFF	ON	OFF	OFF	OFF	ON	OFF	OFF

All other settings are set to off or zero

* = calculate value

1 = See Section 15.1.5

5 = See Section 15.1.1

2 = See Section 15.1.3

6 = See Section 15.1.2

3 = See Section 15.1.4

7 = See Section 15.1.6

4 = See Section 15.1.7

8 = See Section 15.2.2

Table 15.3
8 Phase Timing Chart
Major Street N-S, Minor Street E-W

MOVEMENT	NBLT	SB	EBLT	WB	SBLT	NB	WBLT	EB
PHASE	Ø1	Ø2	Ø3	Ø4	Ø5	Ø6	Ø7	Ø8
MIN INITIAL ¹	10	20	10	10	10	20	10	10
WALK ²	---	7	---	7	---	7	---	7
PED CLR ³	---	*	---	*	---	*	---	*
PASS / EXT ⁴	3.7	*	3.7	3.7	3.7	*	3.7	3.7
YELLOW ⁵	*	*	*	*	*	*	*	*
RED CLR ⁶	*	*	*	*	*	*	*	*
MAX GRN 1 ⁷	*	*	*	*	*	*	*	*
MAX GRN 2 ⁷	*	*	*	*	*	*	*	*
PED RECALL ⁸	OFF	ON	OFF	OFF	OFF	ON	OFF	OFF
VEH RECALL ⁸	OFF	MIN	OFF	OFF	OFF	MIN	OFF	OFF
MEMORY ⁸	OFF	ON	OFF	OFF	OFF	ON	OFF	OFF

All other settings are set to off or zero

* = calculate value

1 = See Section 15.1.5

2 = See Section 15.1.3

3 = See Section 15.1.4

4 = See Section 15.1.7

5 = See Section 15.1.1

6 = See Section 15.1.2

7 = See Section 15.1.6

8 = See Section 15.2.2

Table 15.4
4 Phase Timing Chart
Major Street E-W, Minor Street N-S

MOVEMENT	EB/WB		NB/SB	**
PHASE	Ø1	Ø2	Ø3	Ø4
MIN INITIAL ¹	20		10	10
WALK ²	7		7	---
PED CLR ³	*		*	---
PASS / EXT ⁴	*	⊥	3.7	3.7
YELLOW ⁵	*	⊔	*	*
RED CLR ⁶	*	⊔	*	*
MAX GRN 1 ⁷	*	⊥	*	*
MAX GRN 2 ⁷	*	⊔	*	*
PED RECALL ⁸	ON	⊥	OFF	OFF
VEH RECALL ⁸	MIN		OFF	OFF
MEMORY ⁸	ON		OFF	OFF

All other settings are set to off or zero

* = calculate

value,

** = Insert Proper Movement

1 = See Section 15.1.5

5 = See Section 15.1.1

2 = See Section 15.1.3

6 = See Section 15.1.2

3 = See Section 15.1.4

7 = See Section 15.1.6

4 = See Section 15.1.7

8 = See Section 15.2.2

Table 15.5
4 Phase Timing Chart
Major Street N-S, Minor Street E-W

MOVEMENT	NB/SB		EB/WB	**
PHASE	Ø1	Ø2	Ø3	Ø4
MIN INITIAL ¹	20		10	10
WALK ²	7		7	---
PED CLR ³	*		*	---
PASS / EXT ⁴	*	⊓	3.7	3.7
YELLOW ⁵	*	⊔	*	*
RED CLR ⁶	*	⊕	*	*
MAX GRN 1 ⁷	*	⊖	*	*
MAX GRN 2 ⁷	*	⊗	*	*
PED RECALL ⁸	ON	⊘	OFF	OFF
VEH RECALL ⁸	MIN		OFF	OFF
MEMORY ⁸	ON		OFF	OFF

All other settings are set to off or zero

* = calculate

value,

** = Insert Proper Movement

1 = See Section 15.1.5

5 = See Section 15.1.1

2 = See Section 15.1.3

6 = See Section 15.1.2

3 = See Section 15.1.4

7 = See Section 15.1.6

4 = See Section 15.1.7

8 = See Section 15.2.2

CHAPTER 16: SPECIAL CONDITIONS

16.1 Special Conditions

16.1.1 Emergency Vehicle Preemption

Emergency vehicle preemption standards are under development by the City of Columbus, Department of Public Service. Additional information will be published when available.

Emergency vehicle preemption shall only be specified when directed by the City of Columbus, Department of Public Service. When used, detailed specifications should be obtained from the City.

16.1.2 Railroad Preemption

Prequalification through the Ohio Department of Transportation's Traffic Academy for Traffic Signal and Railroad Preempted Traffic Signal Training is required to design new or modified railroad preempted traffic signals.

Railroad preemption shall be as specified in the Ohio Department of Transportation's Traffic Engineering Manual, Chapter 4 (Traffic Signals) and Chapter 8 (Rail Grade Crossings).

16.1.3 Transit Priority

Transit priority standards are under development through the combined efforts of the City of Columbus and the Central Ohio Transit Authority (COTA).

Transit priority shall only be specified when directed by the City of Columbus, Department of Public Service. When used, detailed specifications should be obtained from the City.

16.1.4 General Flashing Operation

For most traffic signal flashing operations, the main street should display flashing yellow indications and the side street should display flashing red indications.

Flashing red for all directions shall be considered under the following conditions:

- When the main street and side street volumes are approximately equal.

- When 6 or more phases are used.
- When intersection sight distance for the side street is less than specified in the [Ohio Department of Transportation's Location and design Manual Volume 1](#).
- Where a protected only left turn phase is used.
- Where "No Turn On Red" signs are used.
- Where the signal was warranted by crashes.

Flashing operations for Protected/Permissive and Protected Only Left Turn Movements:

- Vehicular signal heads for Protected/Permissive movements (5 section heads) shall display a flashing circular yellow or circular red consistent with the flashing display for that approach.
- Left Turn Protected Only movements on the major street:
 - If the protected only movement is due to signal sequencing such as a lagging or lead-lag Left Turn phase, a flashing yellow arrow may be used as long as the main line also flashes circular yellow.
 - If the protected only movement is necessary due to intersection geometry or sight distance restrictions, all signal heads shall flash red.
 - All flashing operations shall conform to the requirements of Section 4D.30 of the [Ohio Manual of Uniform Traffic Control Devices](#).
- Left Turn Protected Only movements on side streets shall flash red.
- When an intersection flashes all red (programmed or conflict), each Protected Left Turn head shall also flash red.

16.1.4.1 New Signal Flashing Operations

New traffic signals shall be flashed in accordance with the [City of Columbus Construction and Material Specifications](#) Section 632.056.

16.1.4.2 Programmed (Night) Flashing Operations

Programmed flashing operation shall occur through a schedule routine by either a time clock or system command.

To change between regular signal operation and flashing operation the following processes shall be implemented:

- **Standard Operation to Flash Operation**
When the flash command is received, a vehicle call shall be placed on all phases and the side street movements shall be serviced. The change to flashing operation shall be made at the end of the major street red interval; just prior to beginning a major street green interval - either a through phase or a left turn phase.
- **Flash Operation to Standard Operation**
The signal should return to regular operation in the predetermined initialization routine (e.g.; major street green interval following a flashing yellow operation; side street red interval following a flashing red operation).

16.1.4.3 School Signal Flashing Operations

When a traffic signal is warranted based on Warrant 5 (school crossing) in Part 4 of the [Ohio Manual of Uniform Traffic Control Devices](#), and will operate on flash when not warranted, the following items shall be considered:

- 12 in. signal heads shall be used.
- An all red interval shall be used after the mainline yellow interval. This interval shall be calculated based on the procedures outlined in **Chapter 15** and must be a minimum of 1.5 seconds.
- The side street shall be actuated.
- City of Columbus sign “School Signal” (CW-302-24) should be placed between the signal heads.
- The signal should revert to flashing operation when traffic volumes/pedestrian volumes do not meet warrant thresholds. When signals are closely spaced, the effect of the flashing operation and visibility to drivers at adjacent intersections should be investigated to identify any

potential adverse effects for through motorist.

- The following shall be considered when determining the flash/non-flash hours of operation.
 - Nature of the pedestrian traffic (age, volume, mobility impaired) and vehicular traffic (volume, classification).
 - Pedestrian needs other than major crossing period. (Playground use, after hours school/recreation center activities).
 - Safety history of intersection.
 - Vehicular speeds.
 - Available gaps during non-school crossing periods.

16.1.5 Non DPS Pole Attachment Process

Attachment of traffic signal cable to another agency's pole requires approval from the pole owner. Applicable attachment permits shall be secured and furnished to the City of Columbus.

As part of securing a permit, the utility pole owner must be identified. The list of pole owners furnished in **Section 1.3**, only represent some of the owners that maintain poles in the Columbus area. There are other pole owners.

Cable attachment to AEP owned utility poles requires coordination with the City of Columbus Utility Coordinator and Project Manager to gain access to the aerial utility data base or completion of a pole attachment agreement form. A sample work sheet is illustrated in **Figure 16.1**.

Cable attachment to City of Columbus, Division of Power owned utility poles required completion of a pole attachment agreement work sheet. A sample work sheet is illustrated in **Figure 16.2**.

Figure 16.2
Sample Pole Attachment Agreement Work Sheet (COC)
 City of Columbus, Division of Power Owned Poles

FORM:DOEJU1



Division of Electricity

Joint Use and Construction Proposal

TO (company): _____
 Address: _____
 City of Columbus Division of Electricity proposes the pole work detailed below

Electricity Communications
 Traffic Telecommunications
 Maps/Signs Attached

Other Company Pole Number	FOREIGN Pole Number	LOCATION	Pole Billing		Proposed Work	Billing to Others	Others Reply	Rentals
			Hi. & Date Class Est.	New Joint In Record				
DOE Poles								
			Total Billing to Others \$				Total to Recap Reply to Other Company	
Other Owned Poles								
			Total Billing to DOE \$				Total to Recap	
DOE Maximum Voltage On This Project is:								
Submitted by DOE								
Orig. By _____ Phone No. _____			Concurred in By _____ Date Received _____					
DOE Project No. _____			Checked by _____ Proposal Number _____					
Approved By _____ Date _____			Other Co. Order No. _____ Sheet No. _____ or _____					
DOP Acceptance On _____ Per _____ Date _____			Other Co. Dwg. No. _____ Recapped _____ Month _____ Year _____					